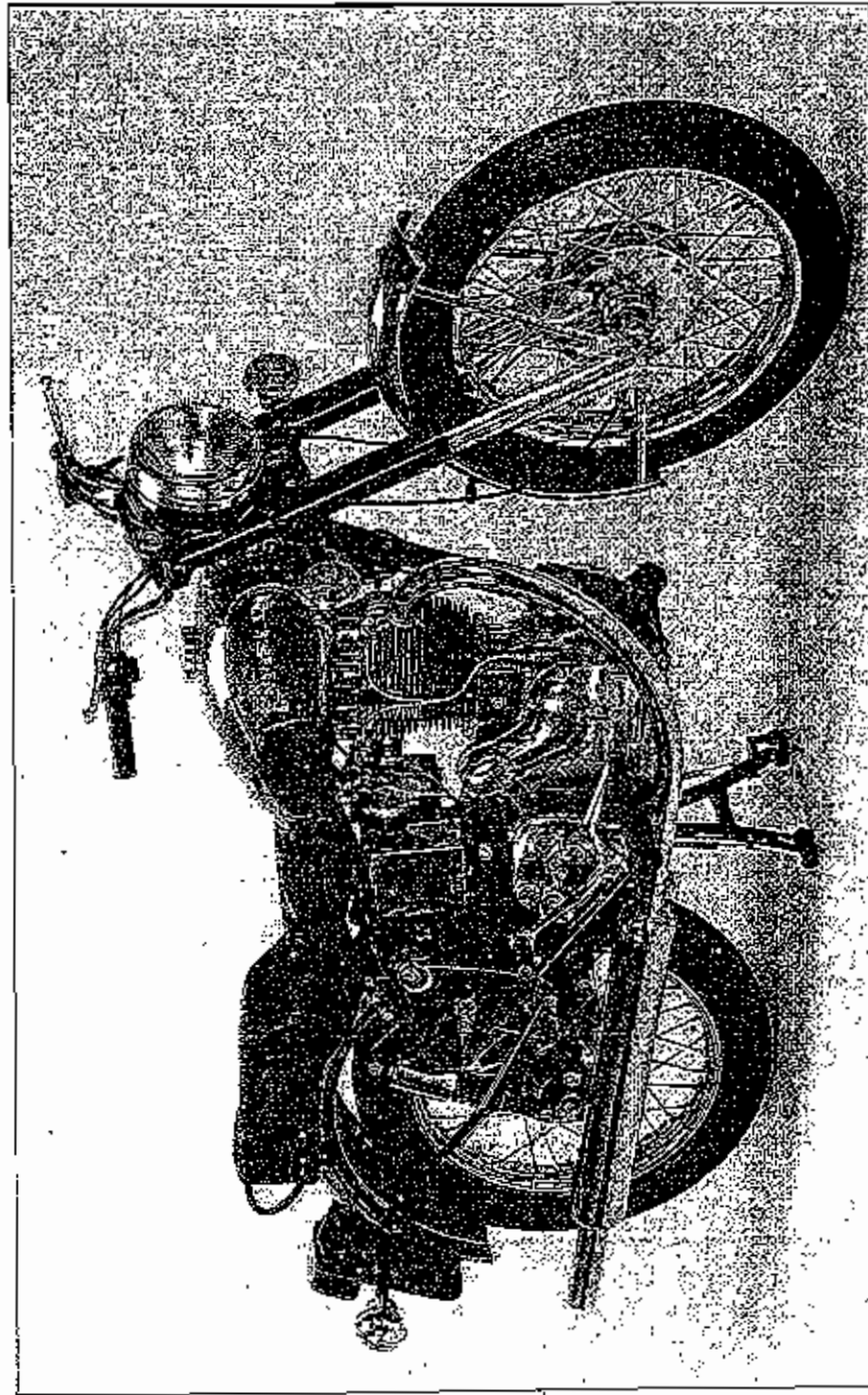


41

PARTS CATALOGUE



BULLET

INTRODUCTION

This parts catalogue provides details of service parts of the BULLET family of motorcycles. The illustrations given are only for the correct identification of parts by showing the shape and relative location and may not be exact scale.

The details of parts with respect to part number, shape, dimension and material are subject to change without any prior notice, however part number changes will be subsequently informed through service bulletins. While extreme care is taken in publishing this catalogue, we shall not be held responsible for loss of any nature due to errors if any or wrong interpretation.

Updated - January, 2000 (Part No. 142146)

ROYAL ENFIELD MOTORS

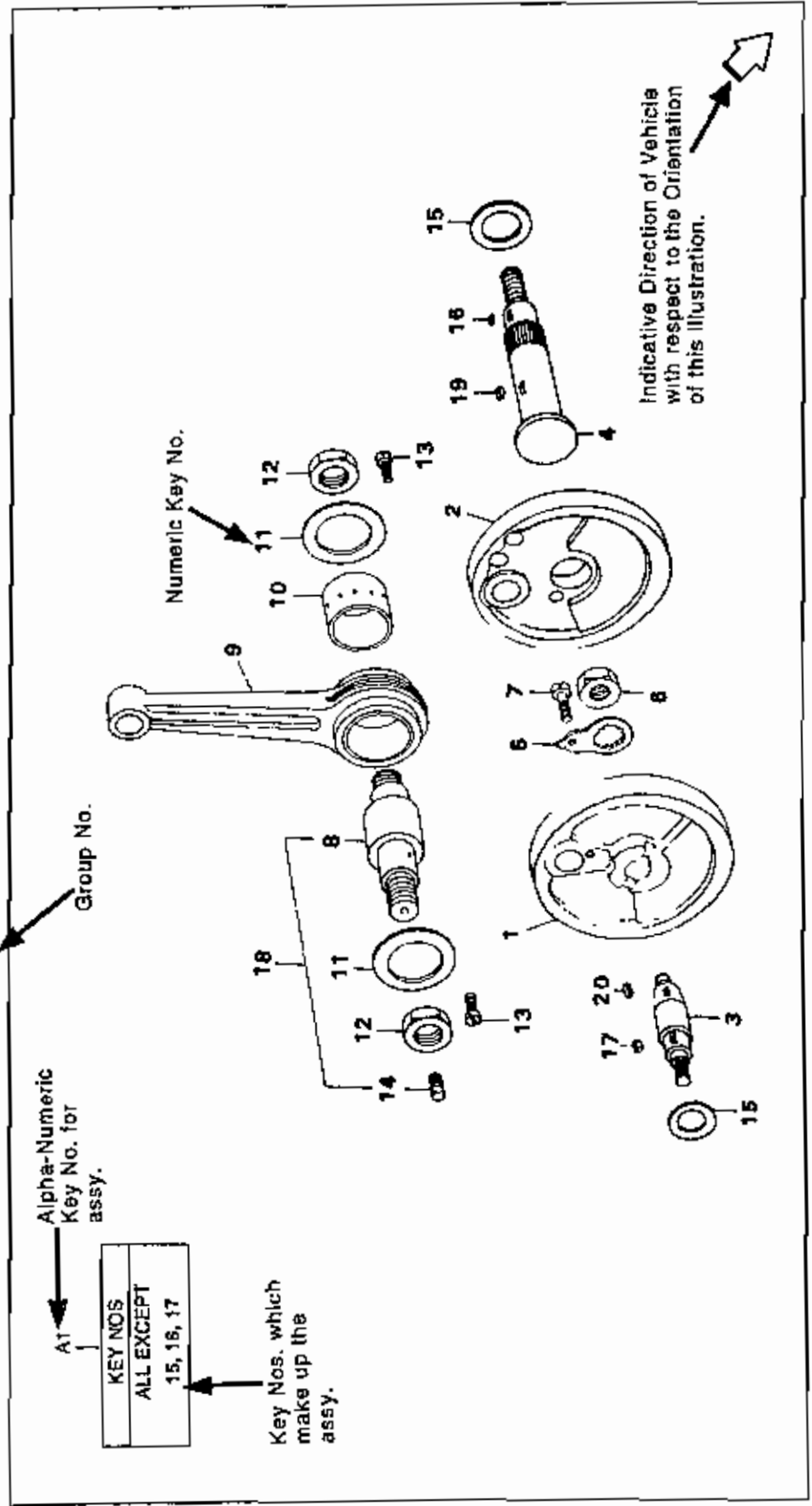
GENERAL INFORMATION

2

- For easy reference and quick identification, the parts are grouped into relevant categories; details are given in the illustrated GROUP INDEX.
- How to use the catalogue?

ILLUSTRATION :

02-25 CRANK SHAFT



PART NUMBER LIST :

KEY No.	PART NUMBER	DESCRIPTION	QTY	MODELS	REMARKS
1	2	3	4	5	6

1. KEY NUMBER (KEY NO)

- The numeric key number is the direct reference to the number in the accompanying illustration.
- Serviceable assemblies or kits in a particular group are identified by alpha-numeric key numbers. e.g. A1,A2 etc. In such case, key numbers of individual items or group numbers which make up such assembly/kit are given in the illustration page.
- Parts shown in the illustration but without any separate Key number assigned are not serviced individually; such parts are serviced as assemblies only.

2. PART NUMBER

- The part number of the individual item or the kit or the assembly is given in this column.

3. DESCRIPTION

- The name of the part assigned to the respective item/kit/assembly is given in this column.
- Items marked * thus are colour specific; while ordering such items the required colour should be mentioned along with the description.

4. QUANTITY (QTY)

4

- The number of individual items or kits or assemblies required for one vehicle is given here.
- Though quantity is indicated for oversize (O/S) or undersize (U/S) of some items, it is to be understood that for a vehicle any one of the sizes only is applicable, depending upon the repair/matching requirements.

5. MODELS

- Applicable vehicle models for the particular part are indicated in this column.
- Models are codified as shown in the model code chart. Any one of the codes or the combination of the codes will appear in this column.

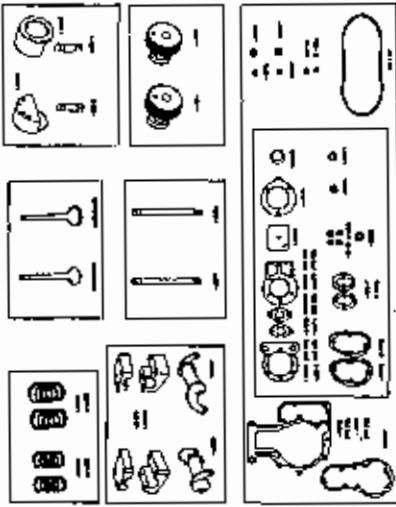
6. REMARKS

Suitability of the part to a specific model or country if any is indicated in this column.

GROUP INDEX

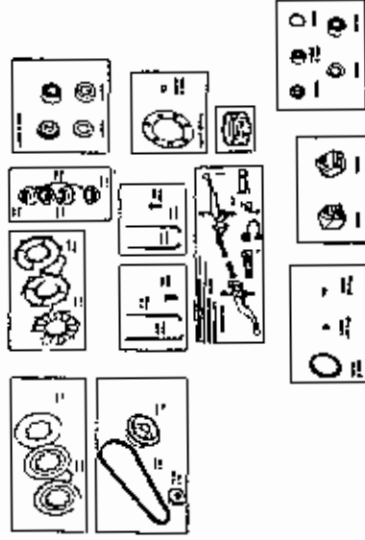
01-10 ENGINE KITS

Page No.14



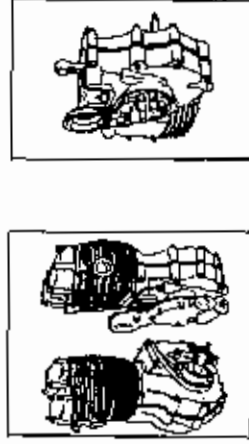
01-20 GENERAL KITS

Page No.16



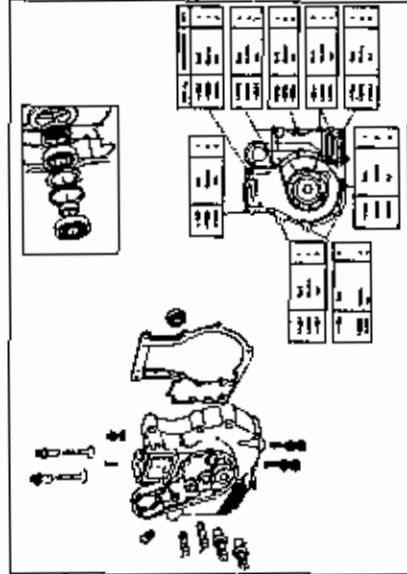
02-10 ENGINE ASSEMBLY

Page No.18



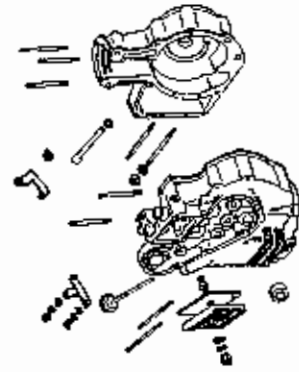
02-15 CRANKCASE ASSEMBLY

Page No.20



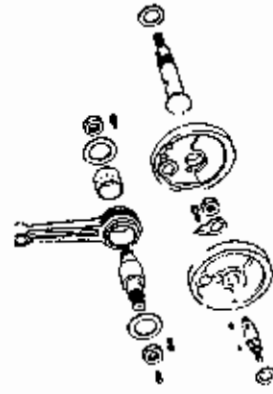
02-20 CRANKCASE FITTINGS

Page No.22



02-25 CRANK SHAFT

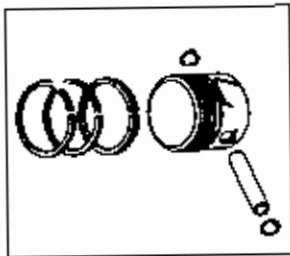
Page No.24



GROUP INDEX

02-30 PISTON AND RINGS

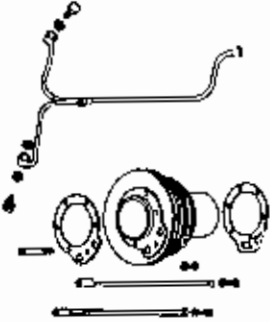
Page No. 26



This diagram shows an exploded view of a piston and rings assembly. It includes a piston with a connecting rod pin, two rings, and a ring expander. The components are arranged to show their relative positions and how they fit together.

02-35 BARREL

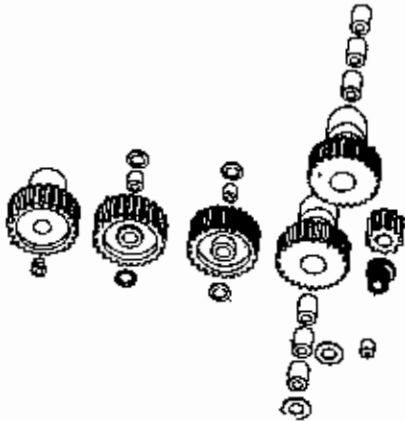
Page No. 28



This diagram illustrates the exploded view of a barrel assembly. It features a central barrel, a firing pin, a firing pin spring, a firing pin guide, and a firing pin holder. The components are shown in their relative positions to facilitate identification and assembly.

02-40 TIMING GEARS

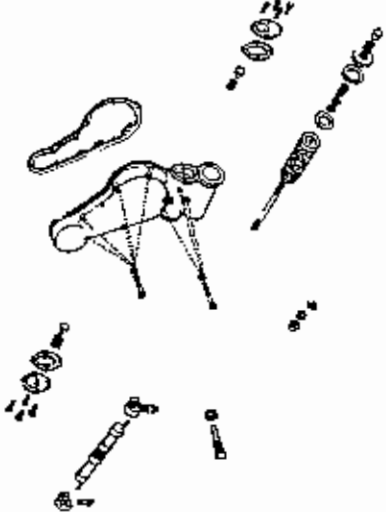
Page No. 30



This diagram shows the exploded view of timing gears. It includes a crankshaft gear, a camshaft gear, and several intermediate gears of various sizes. The arrangement shows the meshing between the gears and their respective shafts.

02-45 TIMING COVER

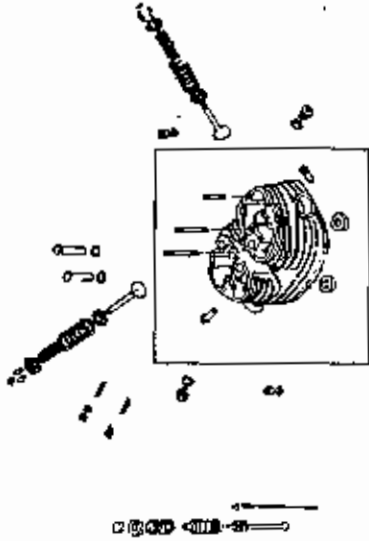
Page No. 34



This diagram depicts the exploded view of a timing cover. It shows the cover plate, a timing chain, a timing chain guide, a timing chain tensioner, and various bolts and washers. The components are arranged to show their assembly sequence.

02-50 CYLINDER HEAD

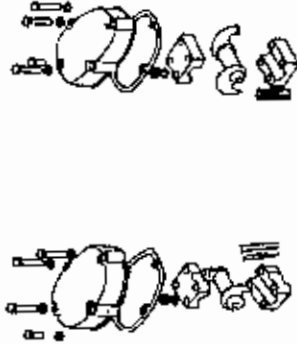
Page No. 36



This diagram shows the exploded view of a cylinder head. It includes the cylinder head, a valve train assembly (intake and exhaust valves, springs, and retainers), a timing belt, and various bolts and washers. The diagram highlights the internal components and their assembly.

02-55 ROCKER ASSEMBLY

Page No. 40

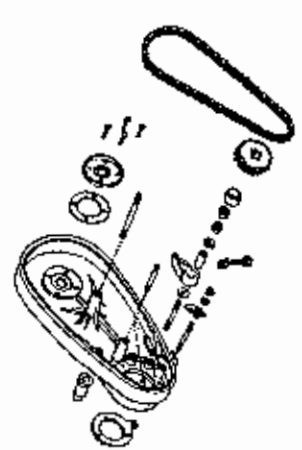


This diagram illustrates the exploded view of a rocker assembly. It shows two rocker arms, a pushrod, a pushrod pin, and a pushrod pin nut. The components are arranged to show how they fit together to operate the valves.

GROUP INDEX

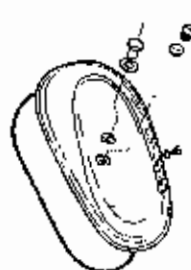
02-60 CHAINCASE INNER

Page No. 42



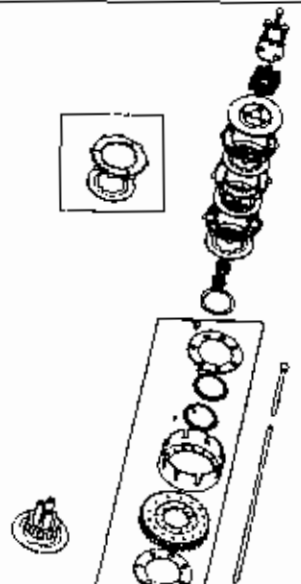
02-65 CHAINCASE OUTER

Page No. 44



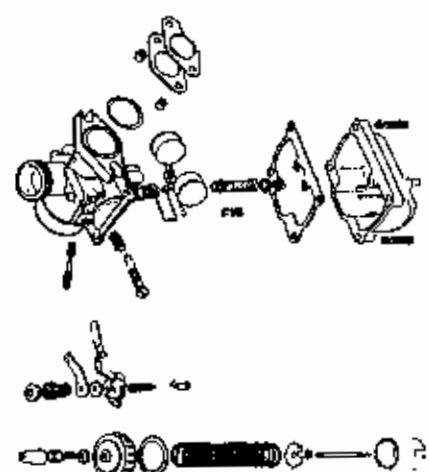
02-70 CLUTCH

Page No. 46



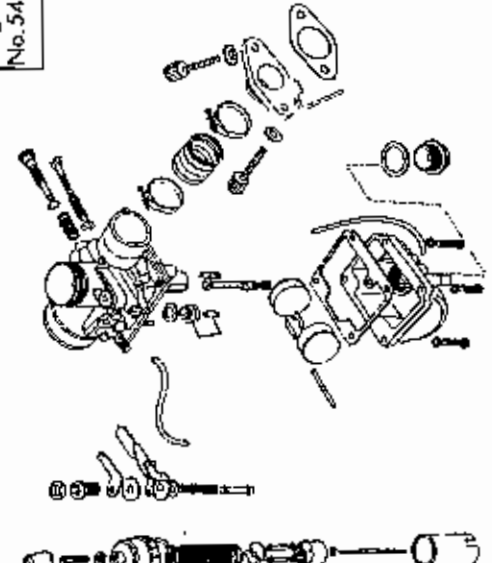
02-75 CARBURETTOR VM 24

Page No. 50



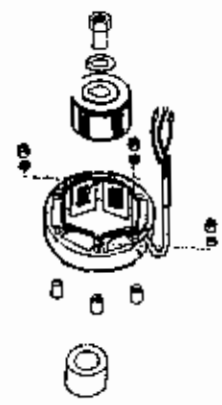
02-80 CARBURETTOR VM 28

Page No. 54



02-85 ALTERNATOR

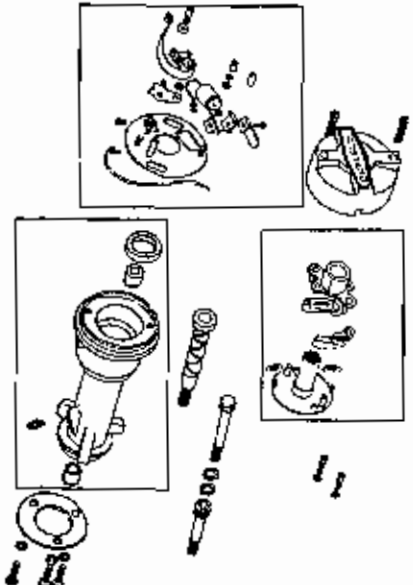
Page No. 58



GROUP INDEX

02-90 DISTRIBUTOR

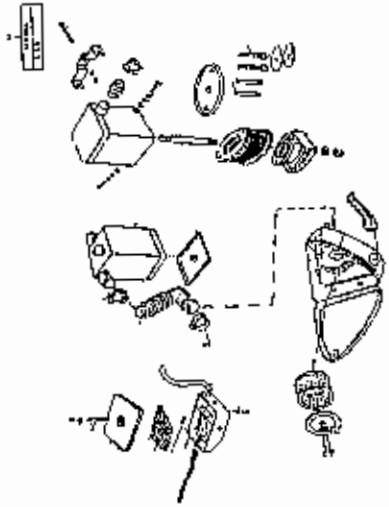
Page No. 60



This diagram shows an exploded view of a distributor assembly. It includes the distributor cap, rotor, and various internal components like the distributor housing, gears, and shafts. Some parts are shown in separate boxes to indicate sub-assemblies or detailed views.

03-10 AIR FILTER

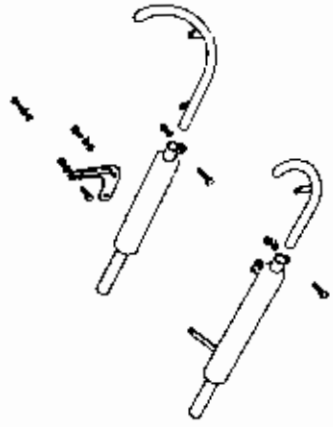
Page No. 62



This diagram illustrates the components of an air filter assembly. It shows the filter element, housing, and various mounting hardware such as bolts, nuts, and washers. The diagram is an exploded view showing how the parts fit together.

04-10 SILENCER AND EXHAUST PIPE

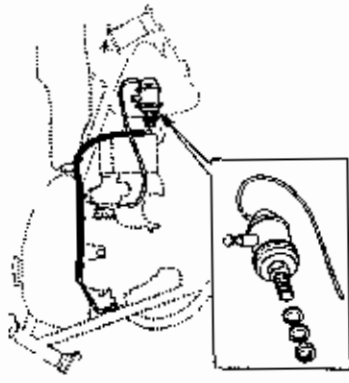
Page No. 68



This diagram shows the silencer and exhaust pipe assembly. It includes the main exhaust pipe, the silencer housing, and various mounting brackets and fasteners. The diagram is an exploded view showing the assembly sequence.

04-12 PULSE AIR VALVE

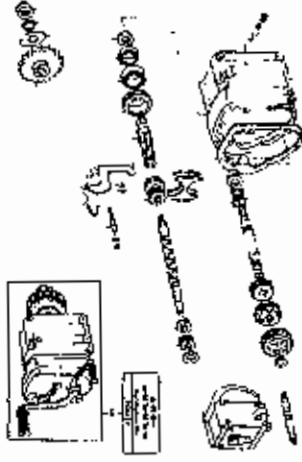
Page No. 70



This diagram depicts a pulse air valve assembly. It shows the valve body, solenoid, and associated wiring and mounting hardware. The diagram is an exploded view showing the assembly of the valve.

05-10 GEAR CASE AND GEARS


Page No. 72



This diagram shows the gear case and gears assembly. It includes the gear case housing, various gears, shafts, and bearings. The diagram is an exploded view showing the assembly of the gear train.

05-20 GEAR BOX END COVER

Page No. 76



This diagram illustrates the gear box end cover assembly. It shows the end cover housing, mounting brackets, and various fasteners. The diagram is an exploded view showing the assembly of the end cover.

GROUP INDEX

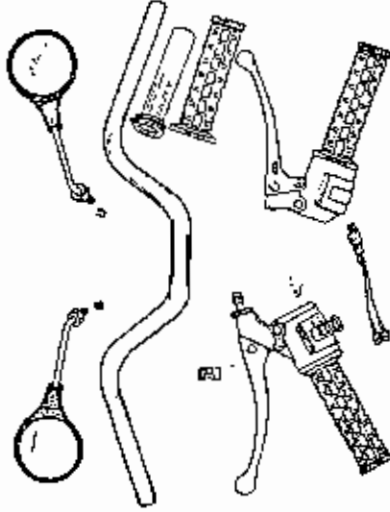
05-30 FOOT CONTROL

Page
No. 80



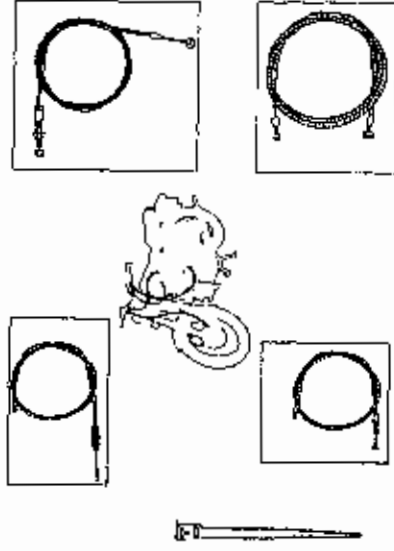
06-10 HANDLE BAR AND CONTROLS

Page
No. 84



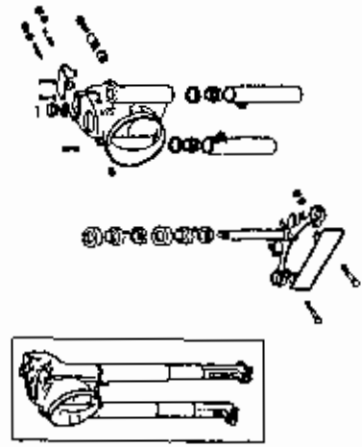
06-20 CONTROL CABLES

Page
No. 90



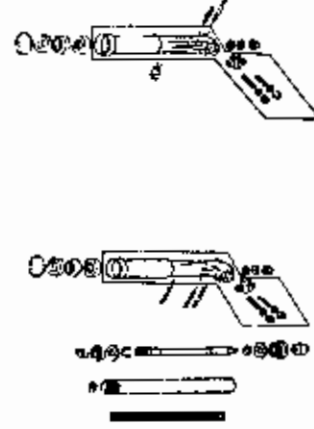
07-10 HEADLAMP CASING

Page
No. 92



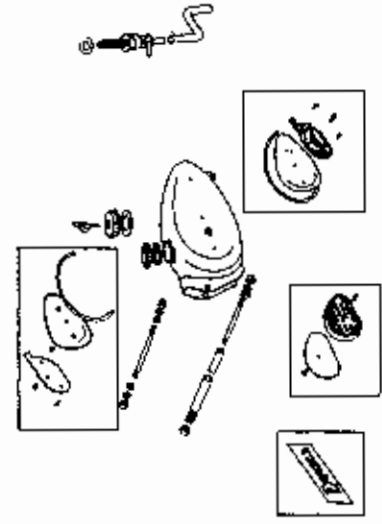
07-20 BOTTOM AND MAIN TUBE

Page
No. 96



08-10 FUEL TANK


Page
No. 100



GROUP INDEX

09-10 TOOL BOX LH

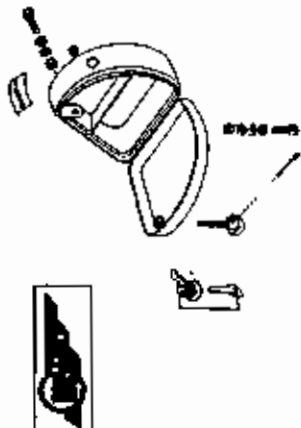
Page No 104



Exploded view diagram of the left-hand tool box assembly. The diagram shows the main box body, a lid, and various fasteners including screws, bolts, and nuts. A small inset image shows the assembled tool box.

09-20 TOOL BOX RH

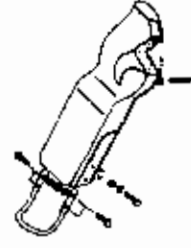
Page No 108



Exploded view diagram of the right-hand tool box assembly. The diagram shows the main box body, a lid, and various fasteners including screws, bolts, and nuts. A small inset image shows the assembled tool box.

10-10 SEAT


Page No 112



Exploded view diagram of the seat assembly. The diagram shows the seat pan, backrest, and various fasteners including screws, bolts, and nuts.

11-10 FRAME ASSEMBLY

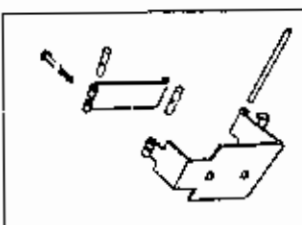
Page No 114



Exploded view diagram of the frame assembly. The diagram shows the main frame, wheels, and various fasteners including screws, bolts, and nuts.

11-20 BATTERY CARRIER

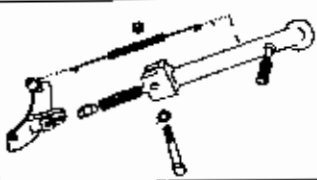
Page No 118



Exploded view diagram of the battery carrier assembly. The diagram shows the carrier, battery, and various fasteners including screws, bolts, and nuts.

11-30 STANDS

Page No 120

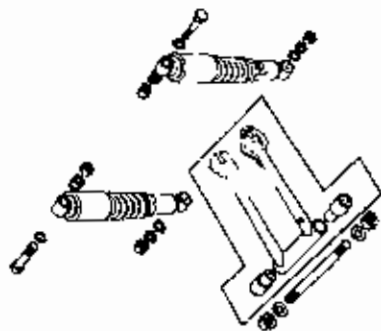


Exploded view diagram of the stands assembly. The diagram shows the stands, wheels, and various fasteners including screws, bolts, and nuts.

GROUP INDEX

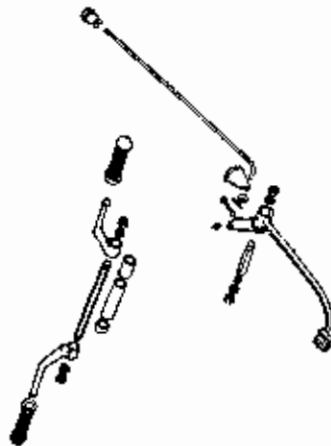
12-10 CHAIN STAY AND SHOCK ABSORBER

Page
No. 122



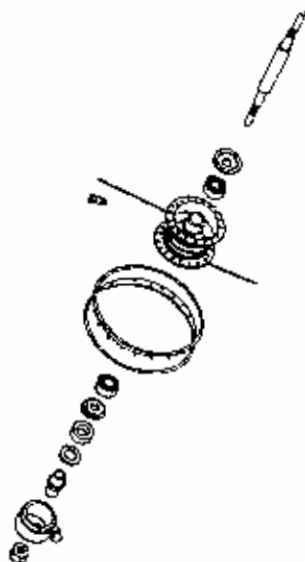
13-10 BRAKE PEDAL, FOOTRESTS

Page
No. 124



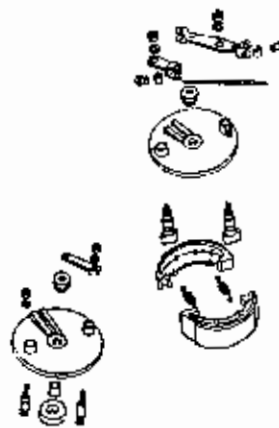
14-10 FRONT HUB

Page
No. 128



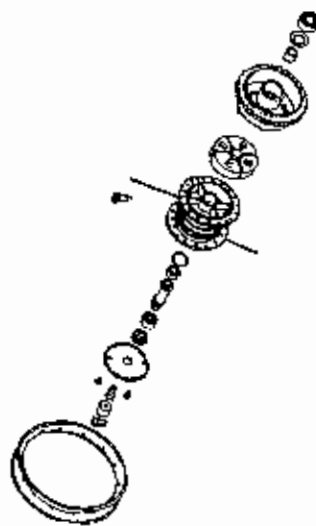
14-0 FRONT BRAKE

Page
No. 130



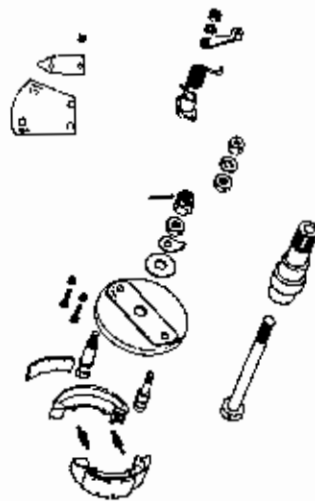
15-10 REAR HUB

Page
No. 132



15-20 REAR BRAKE

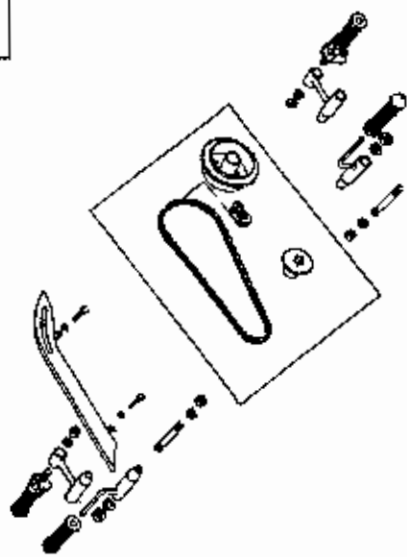
Page
No. 134



GROUP INDEX

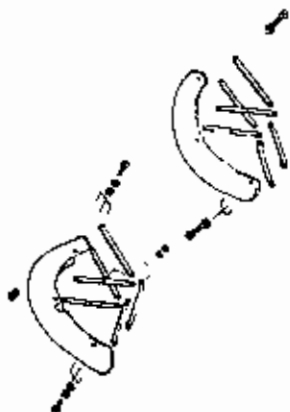
16-10 REAR CHAIN AND FOOTRESTS

Page No. 136



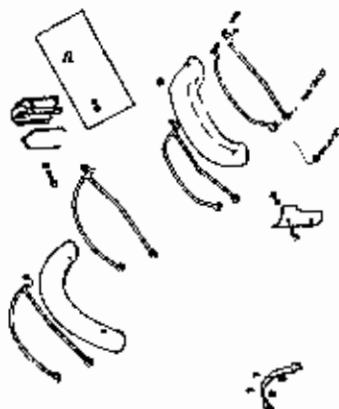
17-10 FRONT MUDGUARD

Page No. 138



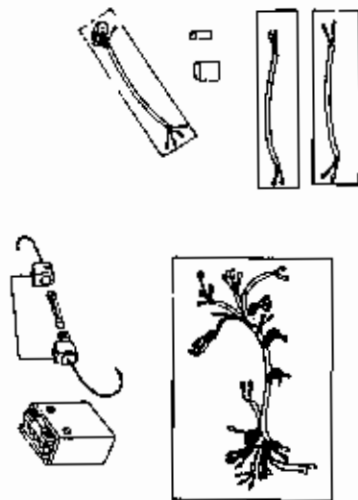
18-10 REAR MUDGUARD

Page No. 142



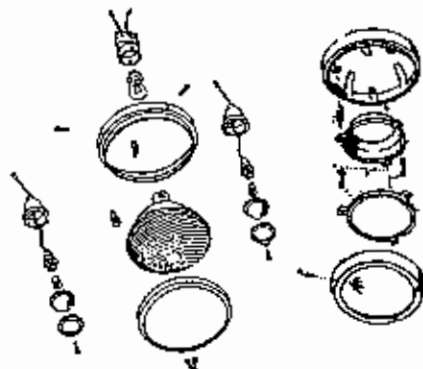
19-10 BATTERY AND HARNESS

Page No. 146



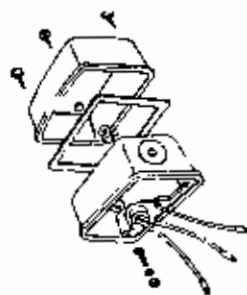
19-20 HEAD LAMP

Page No. 148



19-30 TAIL LAMP

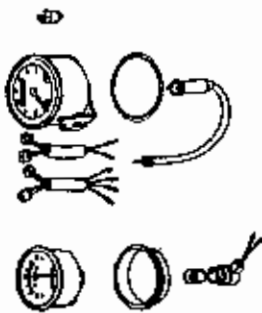
Page No. 150



GROUP INDEX

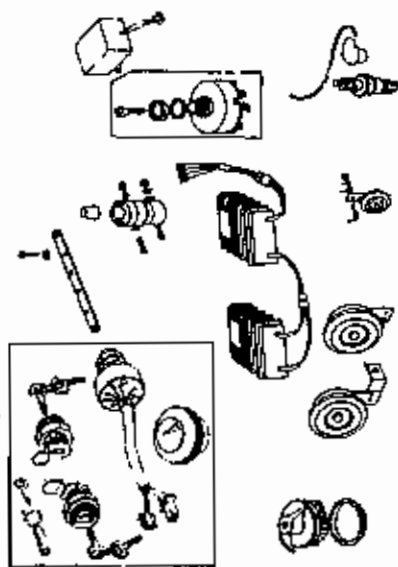
19-40 AMMETER AND SPEEDOMETER

Page
No. 152



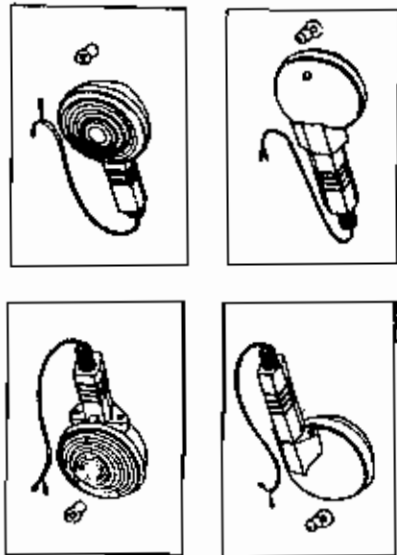
19-50 SWITCHES AND FITMENTS

Page
No. 154



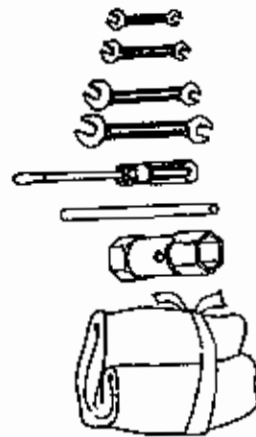
19-60 TRAFFICATOR LIGHTS

Page
No. 156



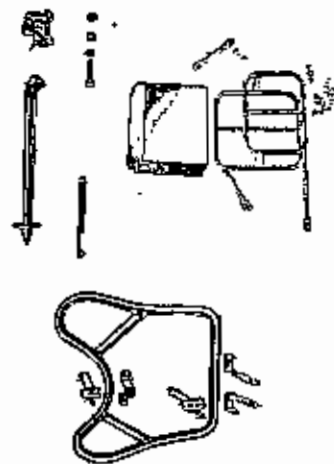
20-10 TOOLKIT

Page
No. 158



21-10 CRASH BAR, ARMY BAR, CARRIER BOXES ETC.

Page
No. 160



01-10 ENGINE KITS

1

142201 350 cc
142202 500 cc

140003 (2 NOS)
140004 (2 NOS)

2

142478 350 cc
142477 500 cc

140049 350 cc
140048 500 cc

3

140041 350 cc
140042 500 cc

140043 350 cc
140044 500 cc

4

144438 350 cc
144437 500 cc

144444 350 cc
144445 500 cc

5

144526 350 cc
144525 500 cc

6

140114 350 cc
140113 500 cc

10

140061 (2 Nos.)
140052 (2 Nos.)

140027 (2 Nos.)
140031
140123 (2 Nos.)
140039
144052

8

110624
805001

7

140098
140097
140027
144007 (2 NOS)

140035
144821
144519
144593 (4 NOS)
144802
144516 (2 NOS)
140145
144523
144520 (2 NOS)

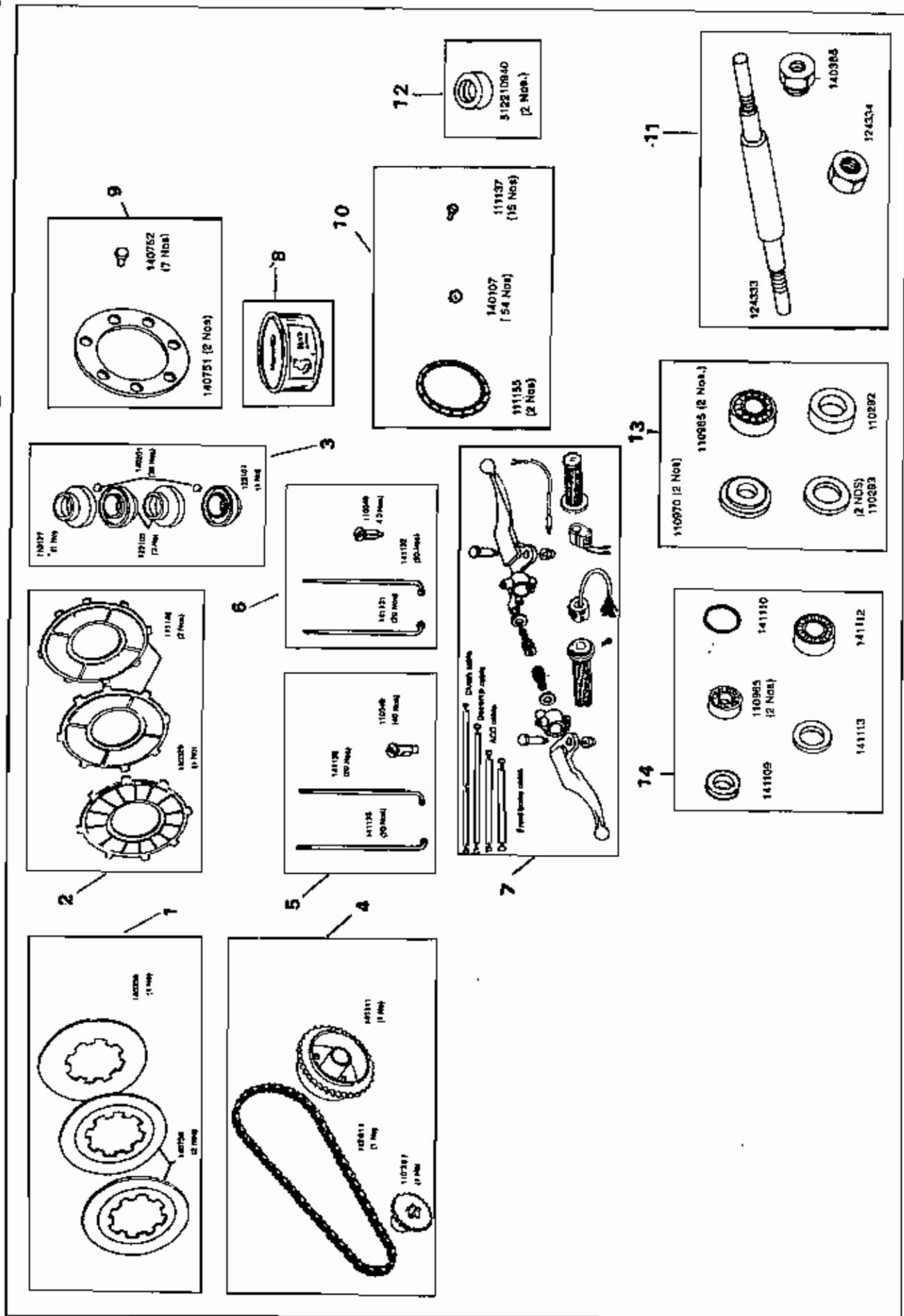
140009 (350 CC)
140025 (350 CC)
140022 (350 CC)
142617 (500 CC)
144845 (500 CC)
144828 (500 CC)

144818 (350 CC)
144893 (500 CC)

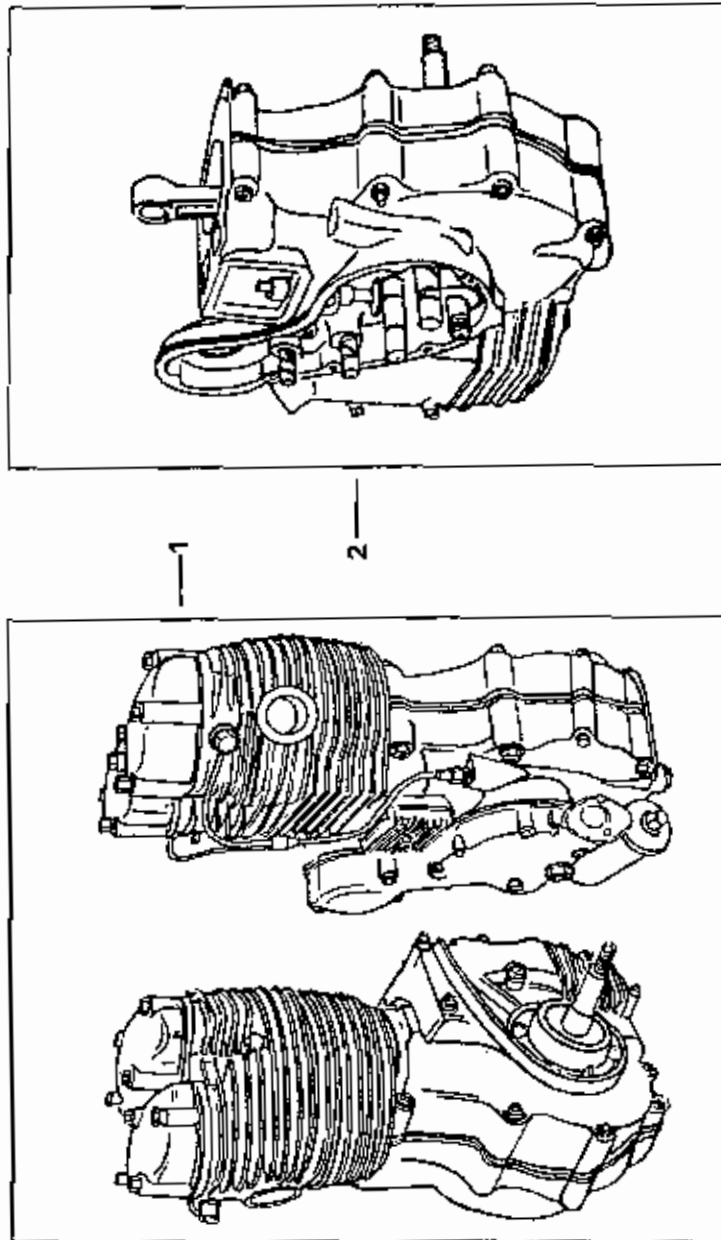
140257
140257
140257

140257

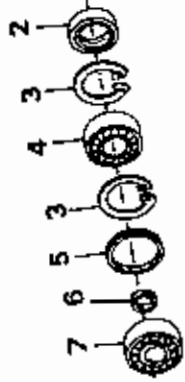
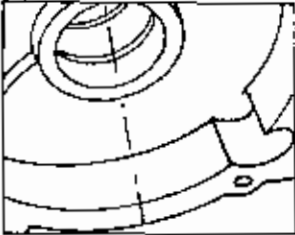
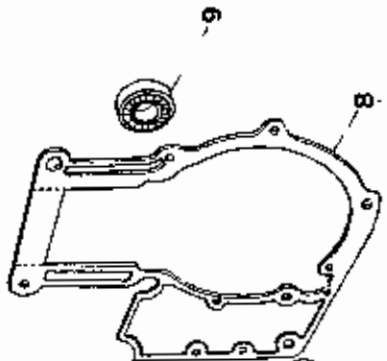
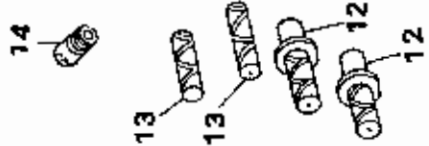
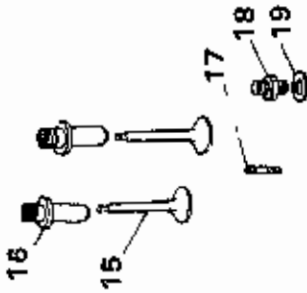
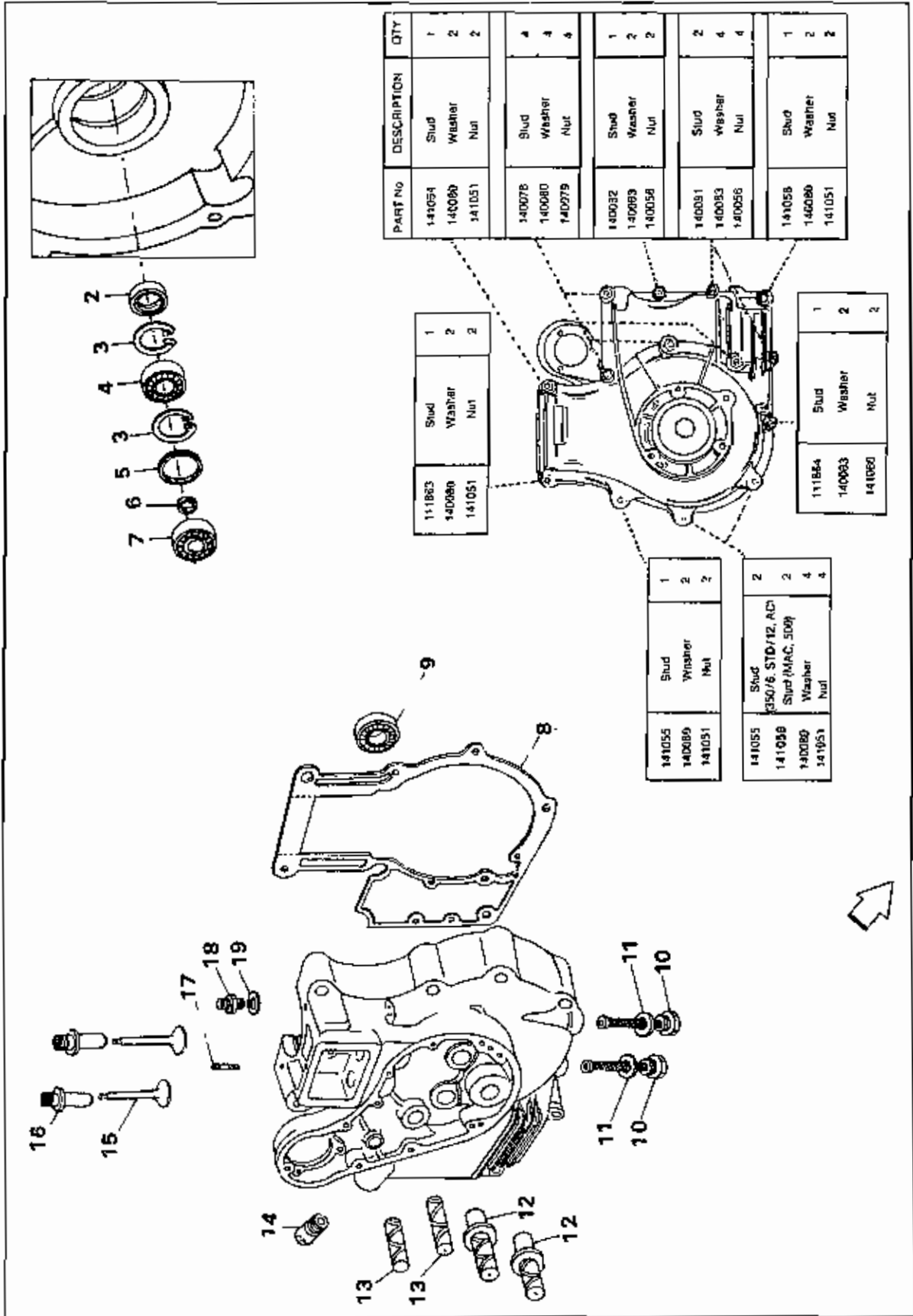
01-20 GENERAL KITS



02-10 ENGINE ASSEMBLY



02-15 CRANKCASE ASSEMBLY



PART No	DESCRIPTION	QTY
141054	Stud	1
140080	Washer	2
141051	Nut	2
140078	Stud	4
140080	Washer	4
140279	Nut	4
140032	Stud	1
140083	Washer	2
140056	Nut	2
140091	Stud	2
140093	Washer	4
140056	Nut	4
141058	Stud	1
140080	Washer	2
141051	Nut	2

111863	Stud	1
140080	Washer	2
141051	Nut	2

111864	Stud	1
140083	Washer	2
141060	Nut	2

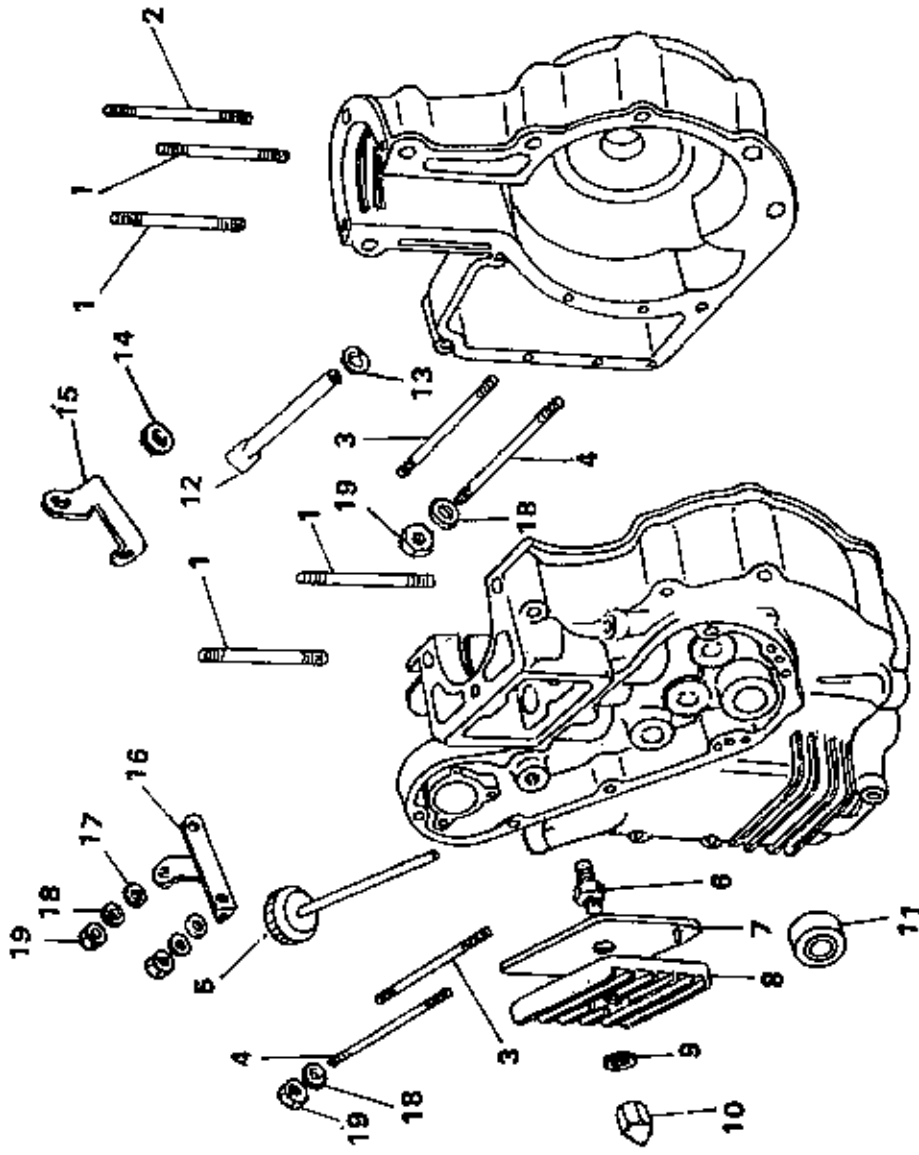
141055	Stud	1
140085	Washer	2
141051	Nut	2

141055	Stud	2
141058	350/6, STD/12, ACI Stud/MAC, 500P	2
140080	Washer	4
141051	Nut	4



KEY NEW PART NO.	KEY NEW PART NUMBER	OLD PART NUMBER	DESCRIPTION	QTY	MODEL	REMARKS
					350/500 & 635 CC	
1	144428	112287	CRANK CASE WITH FIXED FITTINGS	1	350	
	144487	142964	CRANK CASE WITH FIXED FITTINGS	1	500	
	144560		CRANK CASE WITH FIXED FITTINGS		535 CC	
2	111865		OIL SEAL - CRANKCASE	1	350/ 500 & 635 CC	
3	110037		CIRCLIP - CRANKCASE - DRIVE SIDE	2	350/ 500 & 635 CC	
4	110050		BALL BEARING - 6305 - DRIVE SIDE	1	350/ 500 & 635 CC	
5	110052		DISTANCE PIECE , OUTER - CRANKCASE- DRIVE SIDE	1	350/ 500 & 635 CC	
6	110054		DISTANCE PIECE , INNER - CRANKCASE - DRIVE SIDE	1	350/ 500 & 635 CC	
7	111887		ROLLER BEARING - NU 305	1	350/ 500 & 635 CC	
				1	350	(ALT TO 110074)
8	144518	144042	GASKET - CRANKCASE JOINT	1	500 & 535 CC	
	144643	111697	GASKET - CRANKCASE JOINT	1	350/ 500 & 635 CC	
9	142497		BEARING NU 205 R - TIMING SIDE	1	350/ 500	(140570 - OLD BEARING NU 205)
	144944	140052	STRAINER ASSEMBLY-CRANKCASE (DRAIN PLUG)	2		NEW NO FOR USE WITH ENGINES PRODUCED AFTER JAN 2000
10	500122		DRAIN PLUG	2	535 CC	ADDL. DRAIN ONLY FOR 535CC
	500140		WASHER FOR DRAIN PLUG	2	535 CC	ADDL. DRAIN ONLY FOR 535CC
	144844		WASHER COPPER FOR STRAINER ASSY (DRAIN PLUG)	2	350/ 500 & 635 CC	INSTEAD OF FIBRE WASHER (140128)
11	140128		WASHER FIBRE FOR STRAINER ASSY (DRAIN PLUG)	2	350/ 500 & 635 CC	NOT SERVICEABLE ANY MORE
	144846		WASHER COPPER FOR STRAINER ASSY (DRAIN PLUG)	2	350/ 500 & 635 CC	INSTEAD OF FIBRE WASHER (140128)
	140063		CAM SPINDLE STANDARD	2	350/ 500 & 635 CC	
12	140922		CAM SPINDLE 0.003" OVERSIZE	2	350/ 500 & 635 CC	
	140949		CAM SPINDLE 0.006" OVERSIZE	2	350/ 500 & 635 CC	
	140064		IDLER SPINDLE STANDARD	2	350/ 500 & 635 CC	
13	140923		IDLER PINION SPINDLE 0.003" O/S	2	350/ 500 & 635 CC	
	141923		IDLER PINION SPINDLE 0.006" O/S	2	350/ 500 & 635 CC	
14	140776		COLLAR-OIL FILLER	1	350/ 500 & 635 CC	
15	140061		TAPPET	2	350/ 500 & 635 CC	
	140062		TAPPET GUIDE STANDARD	2	350/ 500 & 635 CC	
16	140924		TAPPET GUIDE 0.003" OVERSIZE	2	350/ 500 & 635 CC	
	110079		STUD 1/4" CYLINDER BASE	1	350	
17	142204		STUD 1/4"-CYLINDER BASE	1	500 & 635 CC	
18	140122		ADAPTOR - OIL PIPE	1	350/ 500 & 635 CC	
	144633		WASHER COPPER FOR ADAPTOR OIL PIPE	1	350/ 500 & 635 CC	INSTEAD OF FIBRE WASHER (140299)
19	140299		WASHER FIBRE FOR ADAPTOR OIL PIPE	1	350/ 500 & 635 CC	NOT SERVICEABLE ANY MORE

02-20 CRANKCASE FITTINGS

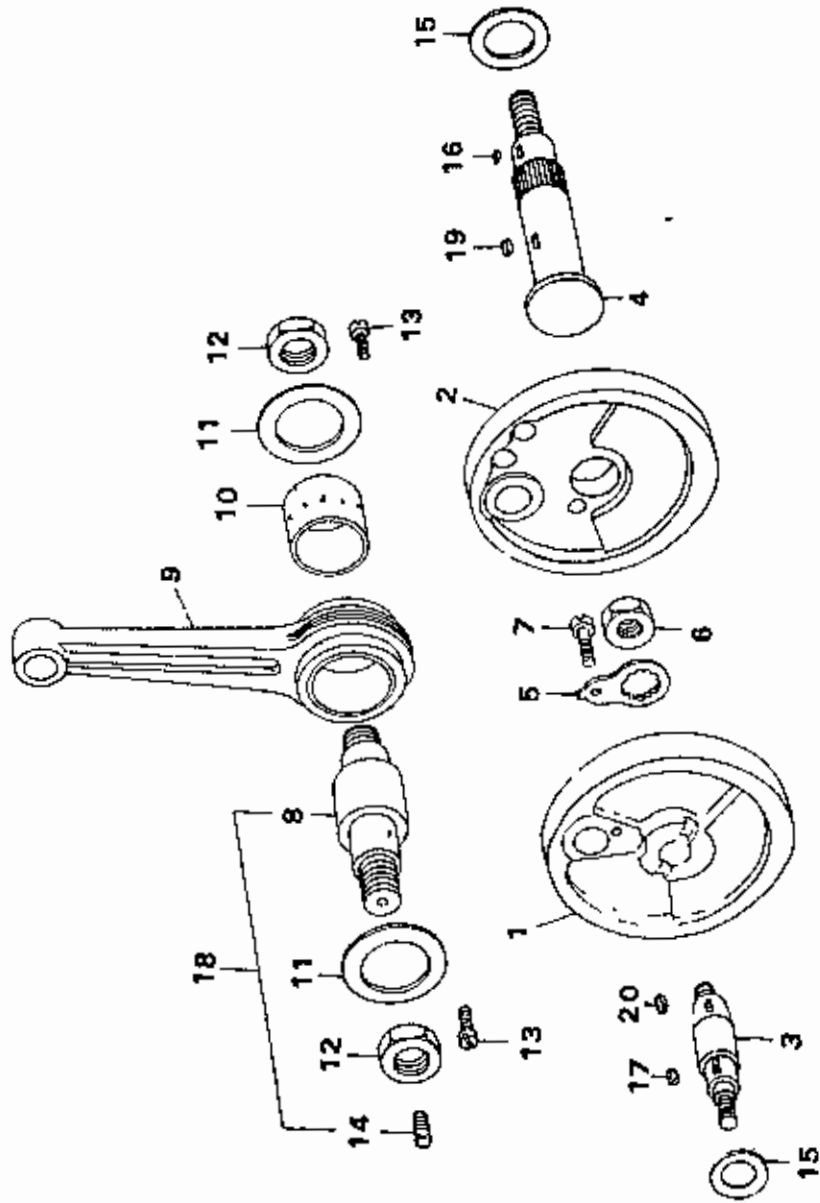


KEY NO.	NEW PART NO.	OLD PART NO.	DESCRIPTION	QTY	MODEL	REMARKS
1	140125		STUD 5/16" - CYLINDER HEAD	4	350/500 & 535 CC	
2	141788		STUD - CYLINDER HEAD	1	350/ 500 & 535 CC	
3	110202		STUD 3/8" - GEAR BOX FIXING TOP	2	350/ 500 & 535 CC	
4	140291		STUD 3/8" GEAR BOX	2	350/ 500 & 535 CC	RIGHT SHIFT GEAR BOX
4	113069		GEAR BOX ATTACHMENT STUD BOTTOM	2	350/ 500 & 535 CC	LEFT SHIFT GEAR BOX
5	140124		OIL FILLER CAP	1	350/ 500 & 535 CC	
6	144391	140153	STUD-TAPPET COVER	1	350/ 500 & 535 CC	
7	144619	144046	GASKET-TAPPET COVER (ALT 140152)	1	350/ 500 & 535 CC	
8	141666		TAPPET COVER (POWDER COATED)	1	350/ 500 & 535 CC	
9	144600		FIBRE WASHER - TAPPET COVER STUD	1	350/ 500 & 535 CC	INSTEAD OF 140155 & 140080
10	144392	140596	NUT-TAPPET COVER	1	350/ 500 & 535 CC	
11	141545		OIL SEAL-CRANKCASE TIMING SIDE	1	500 & 535 CC	
12	140167		BREATHER PIPE	1	350/ 500 & 535 CC	
13	143485		BREATHER PIPE (LONG)	1	350/ 500 & 535 CC	EUROPE/USA/CANADA
13	140573		CLIP-BREATHER PIPE	1	350/ 500 & 535 CC	
14	143843	110161	GROMMET - BREATHER PIPE	1	350/ 500 & 535 CC	
15	144012		CLAMP - BREATHER PIPE	1	350/ 500 & 535 CC	
16	801027	110225	BRACKET - REAR MUDGUARD - BLACK	1	350/ 500 & 535 CC	
17	140027		PLAIN WASHER - GEAR BOX STUD	2	350/ 500 & 535 CC	
18	140293		PLAIN 3/8" - METAL - GEAR BOX STUD	4	350/ 500 & 535 CC	RIGHT SHIFT GEAR BOX
	141098		WASHER - GEAR BOX BOLT	4	350/ 500 & 535 CC	LEFT SHIFT GEAR BOX
	140302		NUT - GEAR BOX BOLT	4	350/ 500 & 535 CC	
19	140302		NUT - GEAR BOX BOLT	2	350/ 500 & 535 CC	LEFT SHIFT GEAR BOX
	113068		NUT - BOTTOM - GEAR BOX STUD	2	350/ 500 & 535 CC	LEFT SHIFT GEAR BOX
20	143695		GUIDE FOR CLUTCH CABLE	1	350/ 500 & 535 CC	USA & CANADA ONLY

02-25 CRANK SHAFT

A1

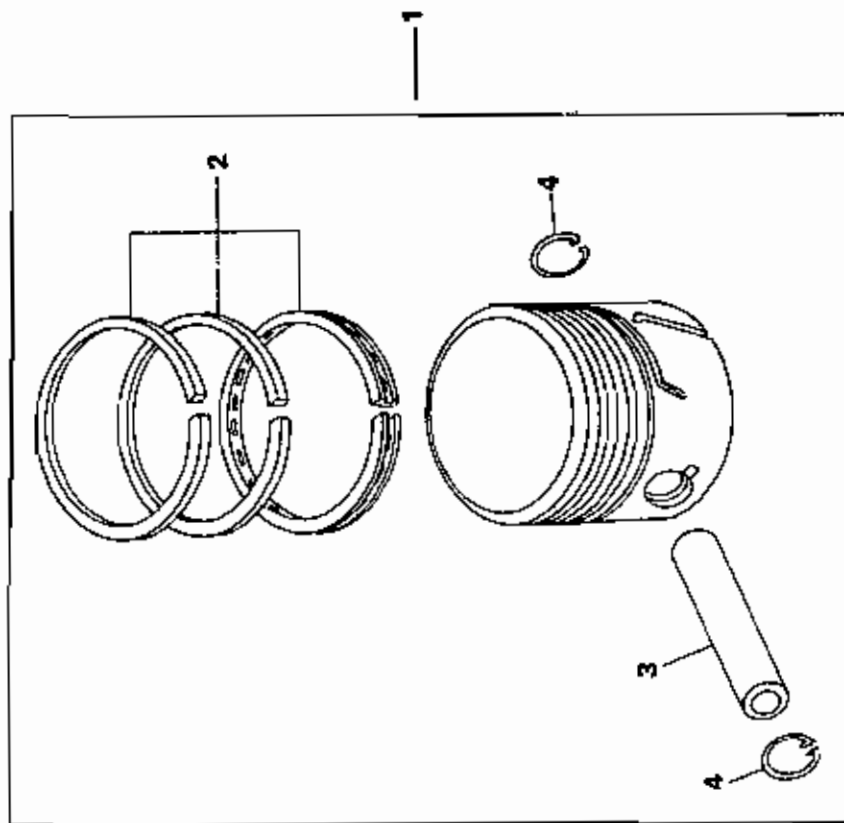
KEY NOS
ALL EXCEPT
15,16,17



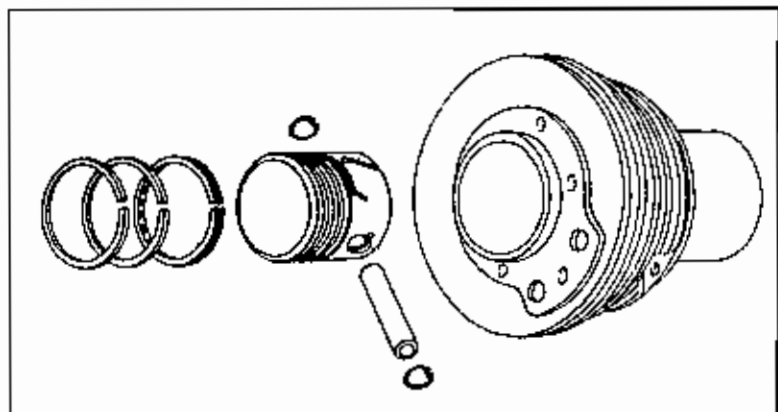
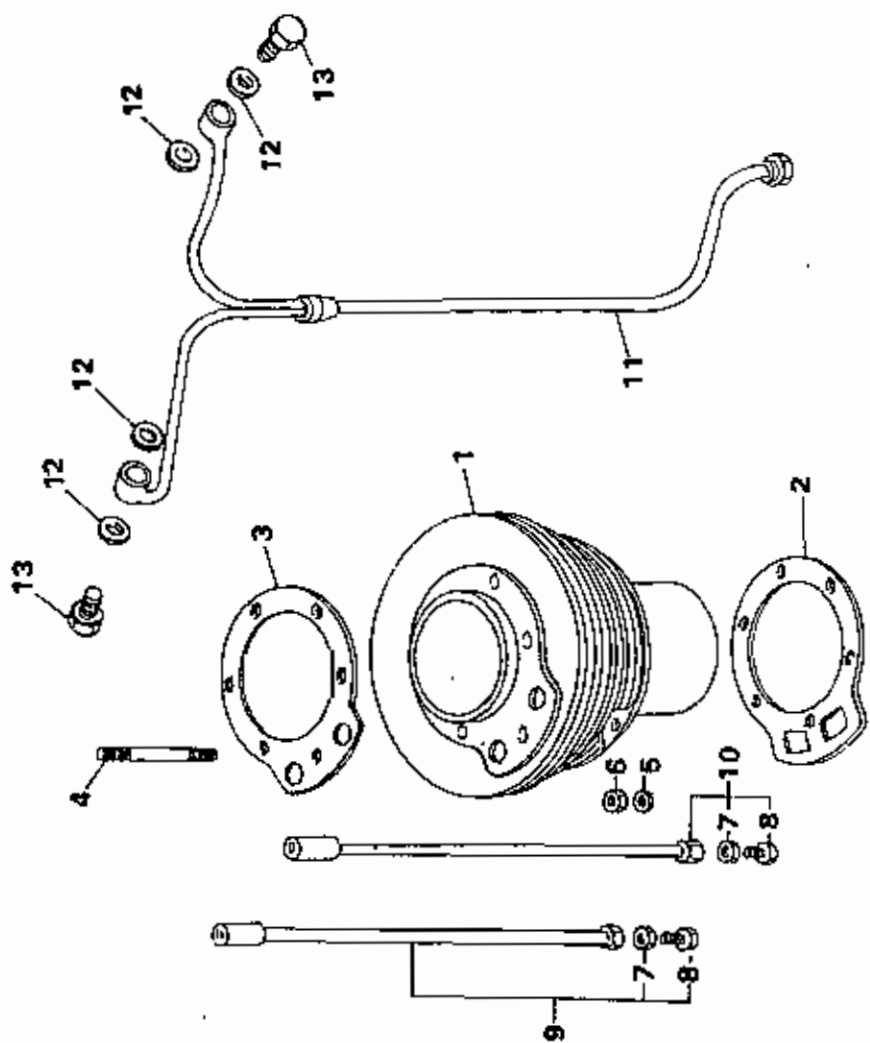
KEY NEW PART NO. NUMBER	OLD PART NUMBER	DESCRIPTION	QTY	MODEL	REMARKS
144688	111867	FLY WHEEL ASSY	1	350/500 & 535 CC	
A1 141548	112174	FLY WHEEL ASSY	1	350	500
144155		FLY WHEEL ASSY		535 CC	
1 144689	110010	FLYWHEEL TIMING SIDE (RH)	1	350	500
144694	142436	FLYWHEEL TIMING SIDE (RH)	1		
144690	110019	FLYWHEEL DRIVE SIDE (LH)	1	350	
144695	142437	FLYWHEEL DRIVE SIDE (LH)	1		500
144669	140798	TIMING SHAFT	1	350	
144696	141547	TIMING SHAFT	1		500
3 144141		TIMING SHAFT	1	535 CC	
144144		BALL	1	535 CC	
144143		SPRING	1	535 CC	
144288		PLUG	1	535 CC	
4 144661	111195	DRIVE SHAFT	1	350/500 & 535 CC	
5 140016		LOCK RING - TIMING SHAFT	1	350/500 & 535 CC	
6 140013		NUT-TIMING SHAFT	1	350/500 & 535 CC	
7 140014		LOCK SCREW-TIMING SHAFT NUT	1	350/500 & 535 CC	
8 144434	140021	CRANK PIN STANDARD	1	350/500 & 535 CC	
140921		CRANK PIN OVERSIZE	1	350/500 & 535 CC	
9 144432	110028	CONNECTING ROD ASSY	1	350	
144490	142191	CONNECTING ROD ASSY	1	500 & 535 CC	
10 140020		FLOATING BUSH-CONNECTING ROD	1	350/500 & 535 CC	
11 140023		THRUST WASHER	2	350/500 & 535 CC	
12 140024		NUT - CRANK PIN	2	350/500 & 535 CC	
13 140015		LOCK SCREW - CRANK PIN	2	350/500 & 535 CC	
14 140022		SLOTTED SET SCREW	1	350/500 & 535 CC	
15 140799		WASHER THRUST - TIMING SIDE	2	350/500 & 535 CC	
16 140316		KEY-ALTERNATOR	1	350/500 & 535 CC	
17 140118		KEY-TIMING PINION	1	350/500 & 535 CC	
18 140791		CRANKPIN WITH GRUB SCREW	1	350/500 & 535 CC	
19 140012		KEY-DRIVE SHAFT	1	350/500 & 535 CC	
20 140011		KEY-TIMING SHAFT	1	350/500 & 535 CC	
21 140913		BIG END BUSH	1	350/500 & 535 CC	

EXCLUSIVE PARTS FOR FITMENT ONLY
ON TIMING SHAFT OF 535CC

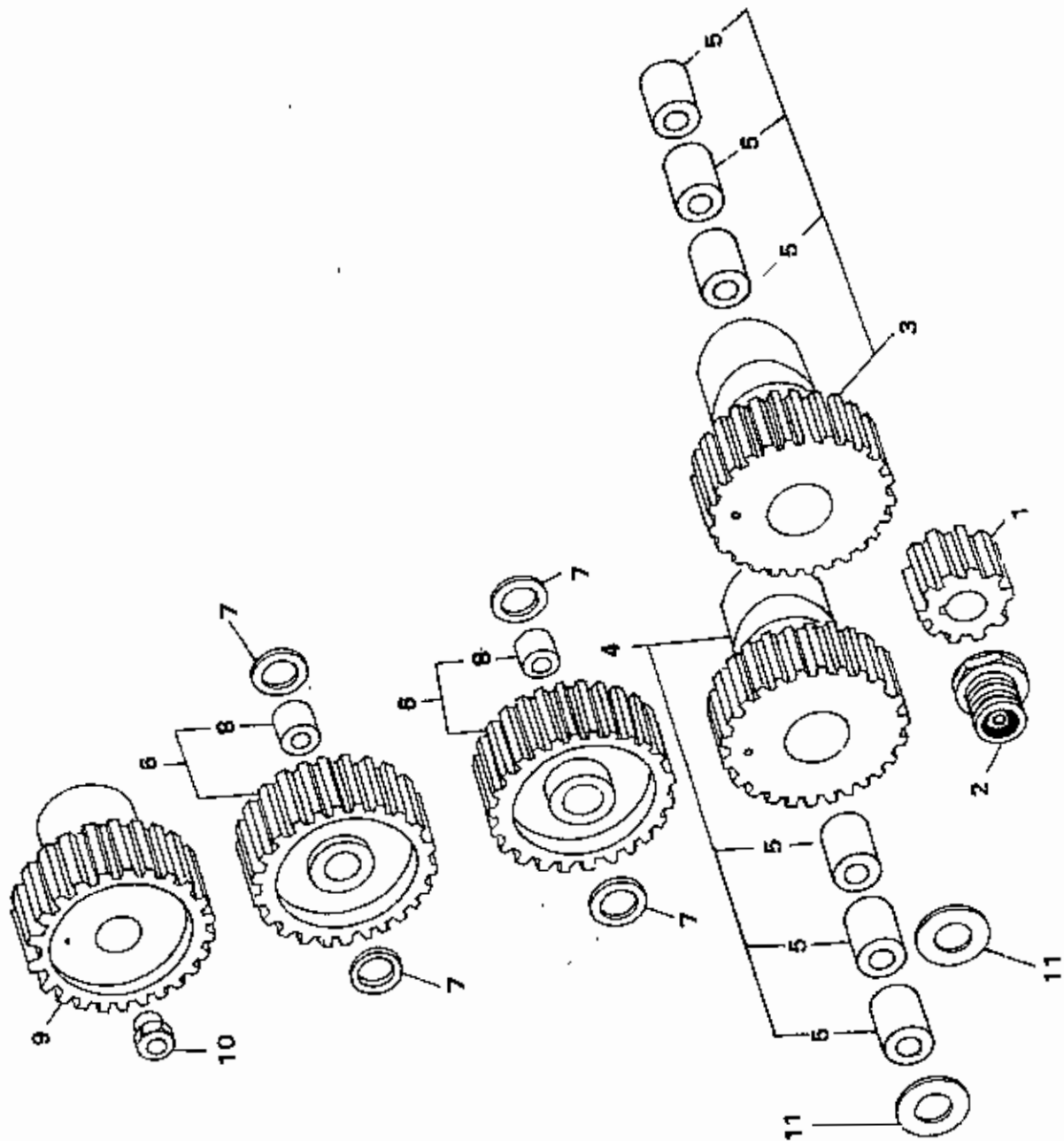
02-30 PISTON AND RINGS



02-35 BARREL



02-40 TIMING GEARS



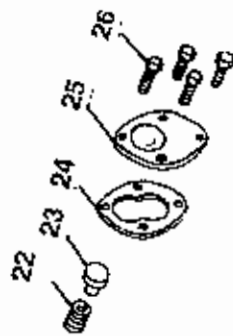
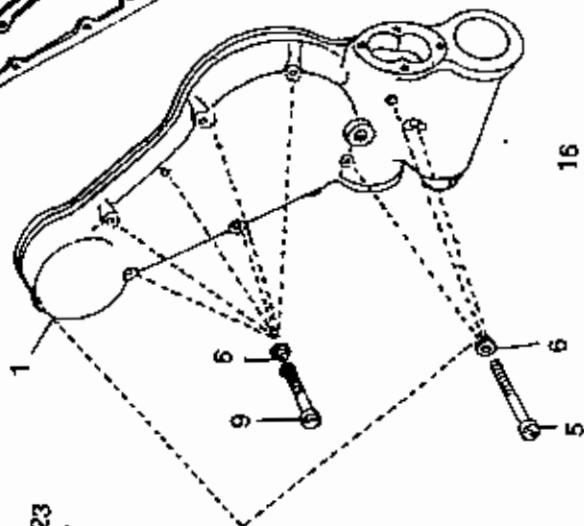
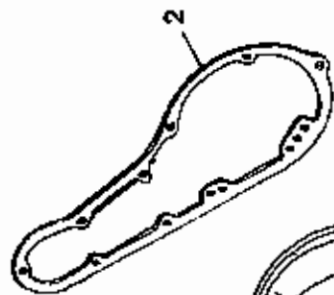
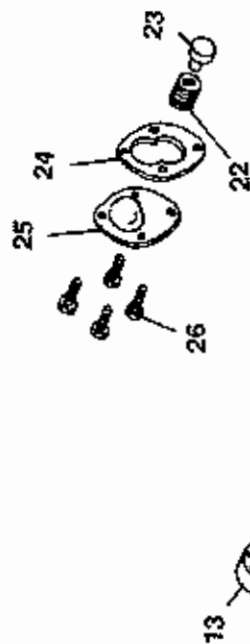
02-45 TIMING COVER

A1

KEY NOS
ALL EXCEPT
2,5,8,7,10

A2

KEY NOS
14, 15, 16, 17



KEY/NEW PART NO.	NEW PART NUMBER	OLD PART NUMBER	DESCRIPTION	QTY	MODEL	REMARKS
	144642	140779	TIMING COVER ASSEMBLY	1	350/500 & 535 CC	
A1	144779W		TIMING COVER ASSEMBLY	1	350 & 500	MODIFIED SINCE NOV 98
A2	112147		OIL PUMP KIT	1	635 CC	
1	144612	142123	TIMING COVER	1	350 & 500	INTERCHANGEABLE ON OLD BIKES BUT ONLY WITH OTHER MODIFIED TIMING COVER PARTS
2	144617	144047	GASKET-TIMING COVER (PREVIOUS NUMBER 140139)	1	350/ 500 & 535 CC	
3	140038		OIL FEED PLUG	1	350/ 500 & 535 CC	
4	144844	140039	WASHER - COPPER-OIL FEED PLUG	1	350/ 500 & 535 CC	
5	144841	131213	SCREW 1/4" LONG - TIMING COVER	4	350/ 500 & 535 CC	
6	144636	143078	WASHER - COPPER - TIMING COVER	10	350/ 500 & 535 CC	
7	140060	140027	WASHER 3/8" - METAL - OIL FILTER STUD	1	350/ 500 & 535 CC	
8	144615	140031	FELT WASHER-OIL FILTER STUD	1	350/ 500 & 535 CC	
9	144638	131216	SCREW 1/4" - TIMING COVER	6	350/ 500 & 535 CC	
10	144614	140030	CUP-OIL FILTER ELEMENT (FOR MODIFIED TIMING COVER)	1	350/ 500 & 535 CC	FOR BIKES PRODUCED AFTER NOV 98
			CUP-OIL FILTER ELEMENT (FOR OLD TIMING COVER)	1	350 & 500	NOT SERVICEABLE ANYMORE
11	140042		DISC - RETURN PUMP	1	350 & 500	
	144133		DISC - RETURN PUMP	1	535 CC	
12	140044		PLUNGER -RETURN PUMP	1	350 & 500	
	144132		PLUNGER -RETURN PUMP	1	535 CC	
13	140041		DISC-FEED PUMP	1	360 & 500	
	144131		DISC-FEED PUMP	1	535 CC	
14	140043		PLUNGER - FEED PUMP	1	360 & 500	
	144130		PLUNGER - FEED PUMP	1	535 CC	
15	140040		OIL PUMP SPINDLE	1	350/ 500 & 535 CC	
16	144613		STUD-OIL FILTER (FOR MODIFIED TIMING COVER)	1	350/ 500 & 535 CC	FOR BIKES PRODUCED AFTER NOV 98
	140026		STUD-OIL FILTER (FOR OLD TIMING COVER)	1	350 & 500	NOT SERVICEABLE ANYMORE
17	500617		WASHER-OIL FILTER (FOR MODIFIED TIMING COVER)	1	350/ 500 & 535 CC	FOR BIKES PRODUCED AFTER NOV 98
	140033		WASHER-OIL FILTER (FOR OLD TIMING COVER)	1	350 & 500	NOT SERVICEABLE ANYMORE

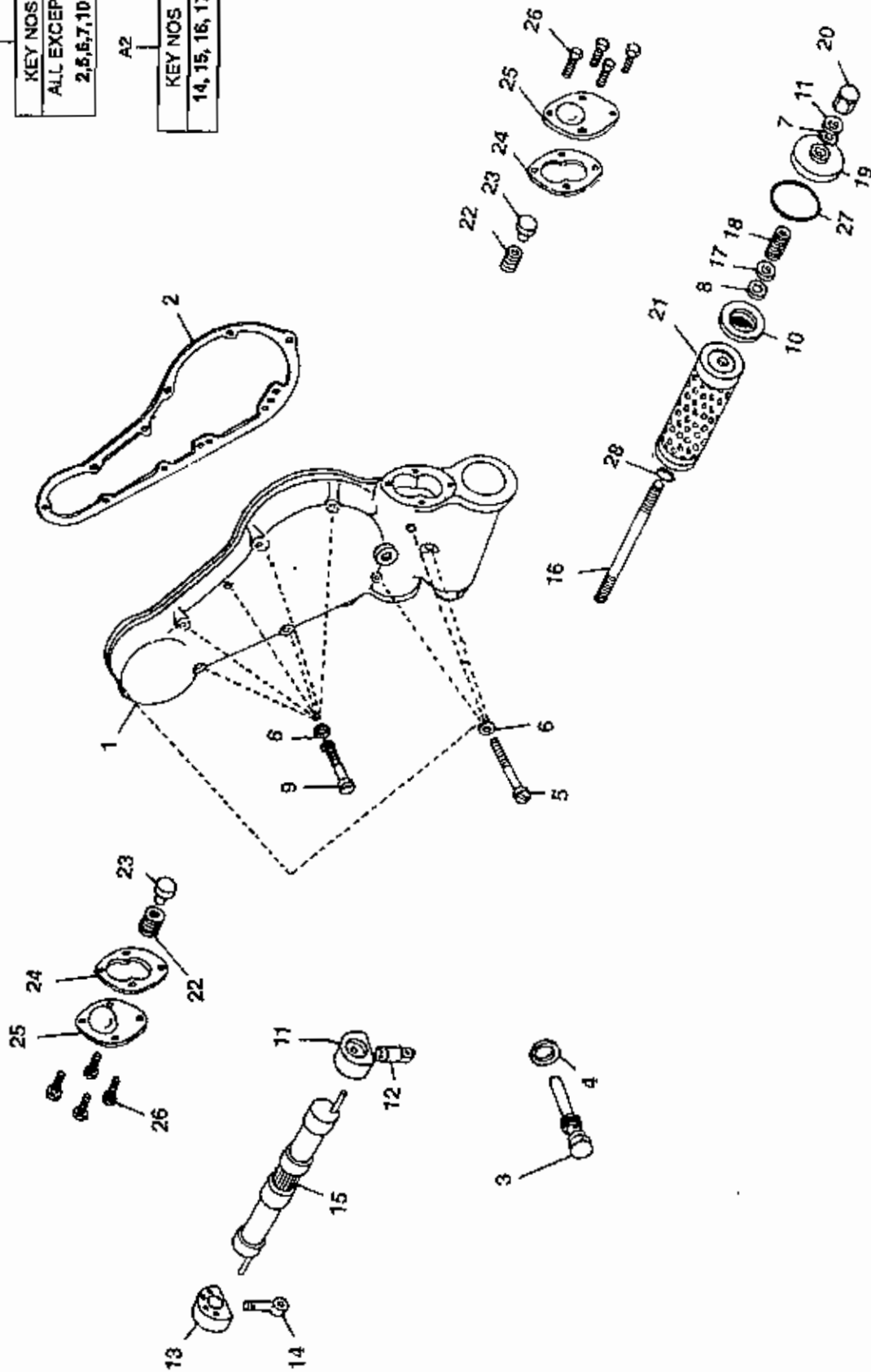
02-45 TIMING COVER

A1

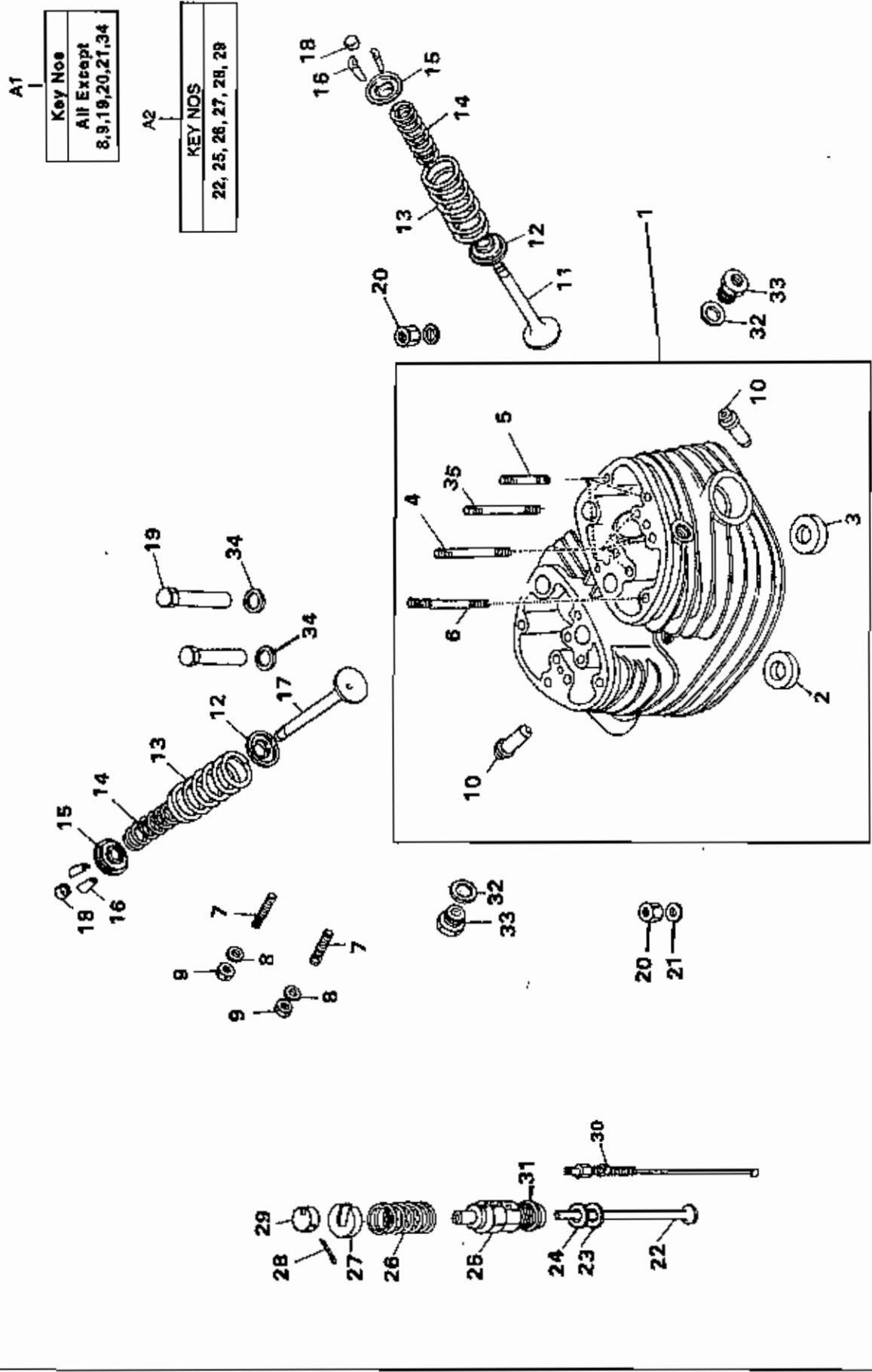
KEY NOS
ALL EXCEPT
2,5,6,7,10

A2

KEY NOS
14,15,16,17



02-50 CYLINDER HEAD



KEY NO.	NEW PART NUMBER	OLD PART NUMBER	DESCRIPTION	QTY	MODEL	REMARKS
					350/500 & 535 CC	
A1	144721	140778	CYLINDER HEAD ASSEMBLY	1	350	
	144500E	142485	CYLINDER HEAD ASSEMBLY	1	500/535 CC	
A2	141207	140790	DECOMPRESSOR ASSEMBLY LESS CABLE	1	350/ 500 & 535 CC	
1	144722	111178	CYLINDER HEAD WITH FIXED FITTINGS	1	350	COMMON FOR ALL COUNTRIES
	144159E	142484	CYLINDER HEAD WITH FIXED FITTINGS (EUROPE NUMBER 143145)	1	500/535 CC	
2	144773		VALVE SEAT INSERT - INLET	1	350	
	144475		VALVE SEAT INSERT - INLET	1	500/535 CC	
3	144774		VALVE SEAT INSERT - EXHAUST	1	350	
	144776		VALVE SEAT INSERT - EXHAUST	1	500/535 CC	
4	140006		STUD - ROCKER BEARING	4	350/ 500 & 535 CC	
5	140007		STUD - SHORT - ROCKER BOX	6	350/ 500 & 535 CC	
6	140566		STUD - LONG-ROCKER BOX	2	350/ 500 & 535 CC	
7	143285	141507	STUD - CARBURETTOR	2	350/ 500 & 535 CC	
	143146		SOCKET HEADED SCREW	2	500/535 CC	
8	144600	140060	WASHER - METAL - CARBURETTOR STUD	2	350	
	140147		WASHER - METAL - CARBURETTOR STUD	2	600/535 CC	
9	140079		NUT - CARBURETTOR STUD	2	350	
	144836	5103034140	VALVE GUIDE STANDARD (ALT 142618)	2	350	
	144494		VALVE GUIDE STANDARD	2	500/535 CC	
10	144476	5103032140	VALVE GUIDE 0.003" OVERSIZE (ALT 140925)	2	350/ 500 & 535 CC	
	144477	5103033140	VALVE GUIDE 0.005" OVERSIZE	2	350/ 500 & 535 CC	
	144449	5103030140	VALVE EXHAUST (ALT 141525)	1	350	
11	144498	142478	VALVE EXHAUST	1	500/535 CC	
12	140001		COLLAR - VALVE SPRING BOTTOM	2	350 & 500	
13	140004		VALVE SPRING OUTER	2	350	
	142202		VALVE SPRING OUTER	2	500/535 CC	
	140003		VALVE SPRING INNER	2	350	
14	142201		VALVE SPRING INNER	2	500/535 CC	

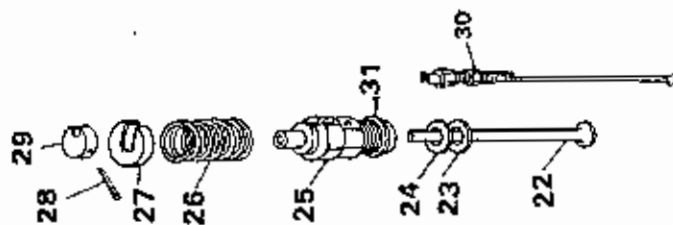
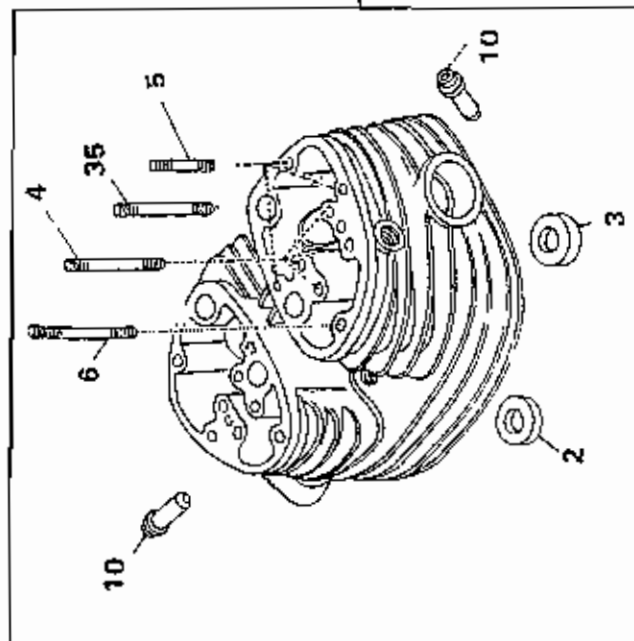
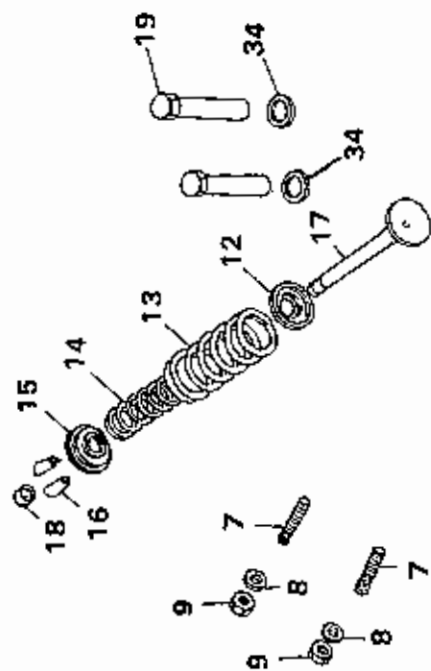
02-50 CYLINDER HEAD

A1

Key Nos
All Except 8,9,19,20,21,34

A2

KEY NOS
22, 25, 26, 27, 28, 29



02-55 ROCKER ASSEMBLY

A1

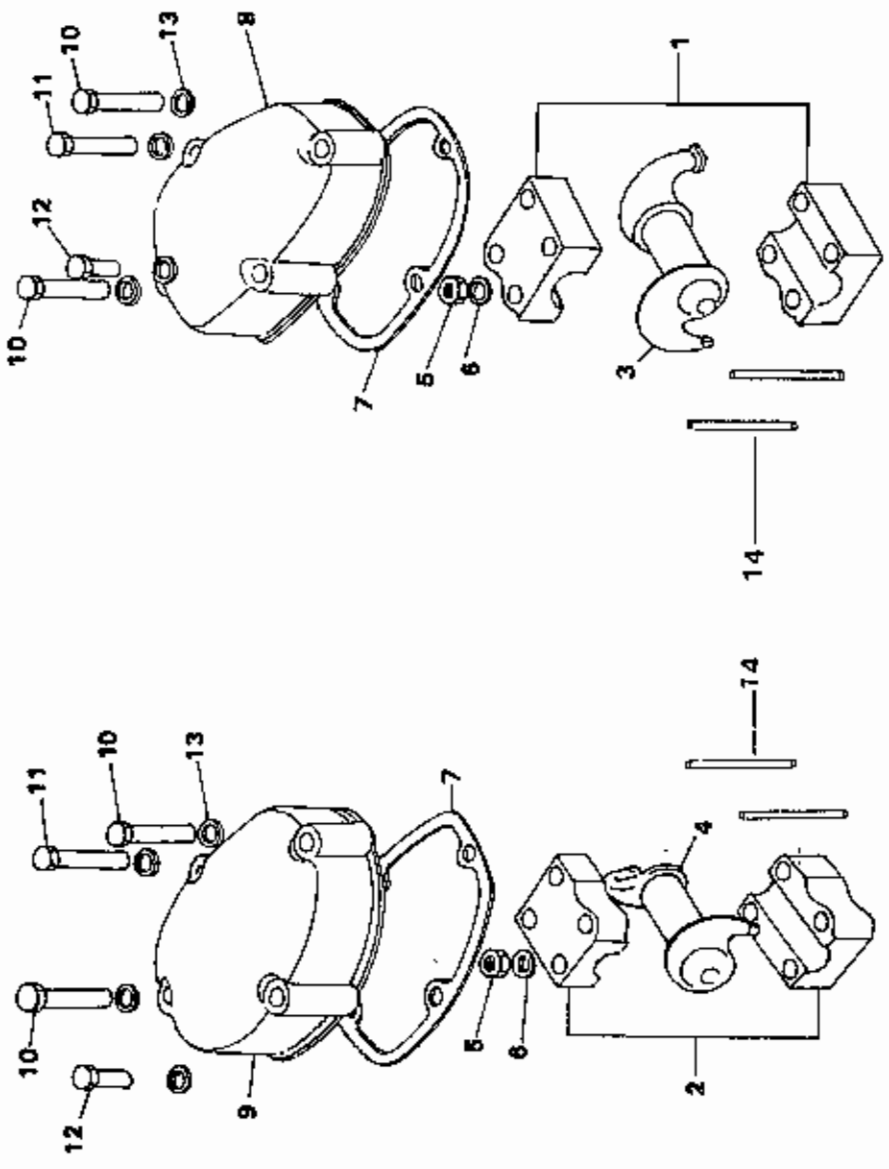
KEY NOS
1, 2, 3, 4, 14 (4Nos)

A2

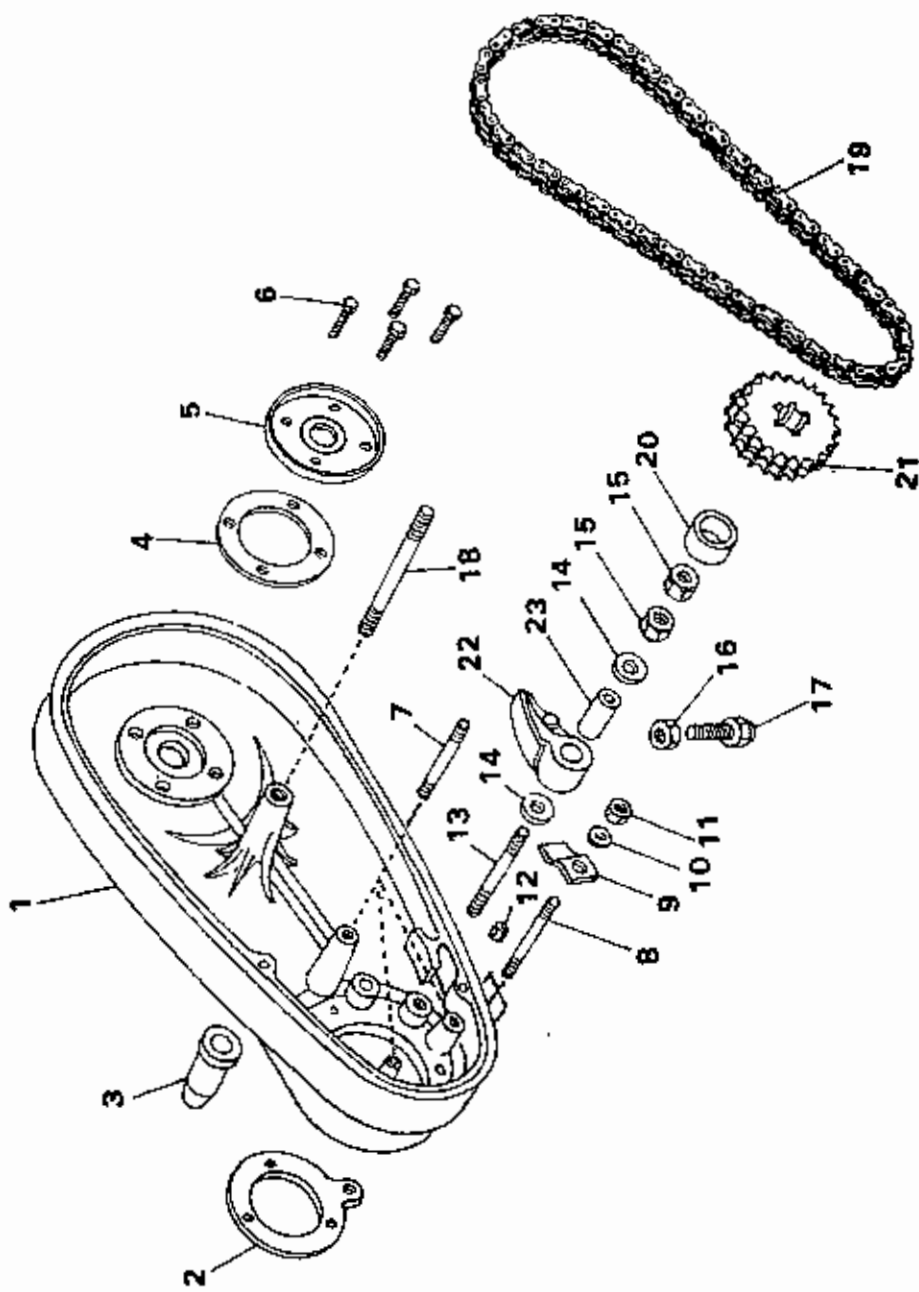
KEY NOS
1, 3, 14 (2Nos)

A3

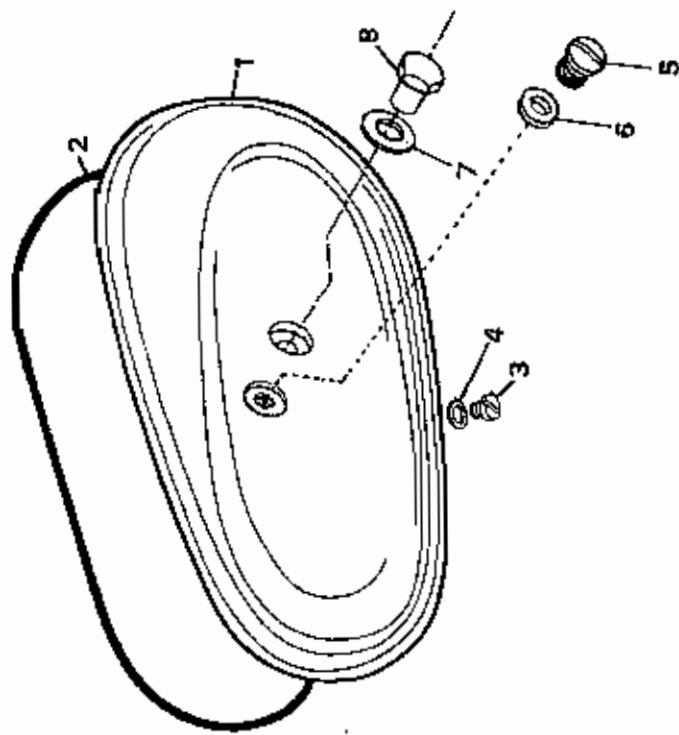
KEY NOS
2, 4, 14 (2Nos)



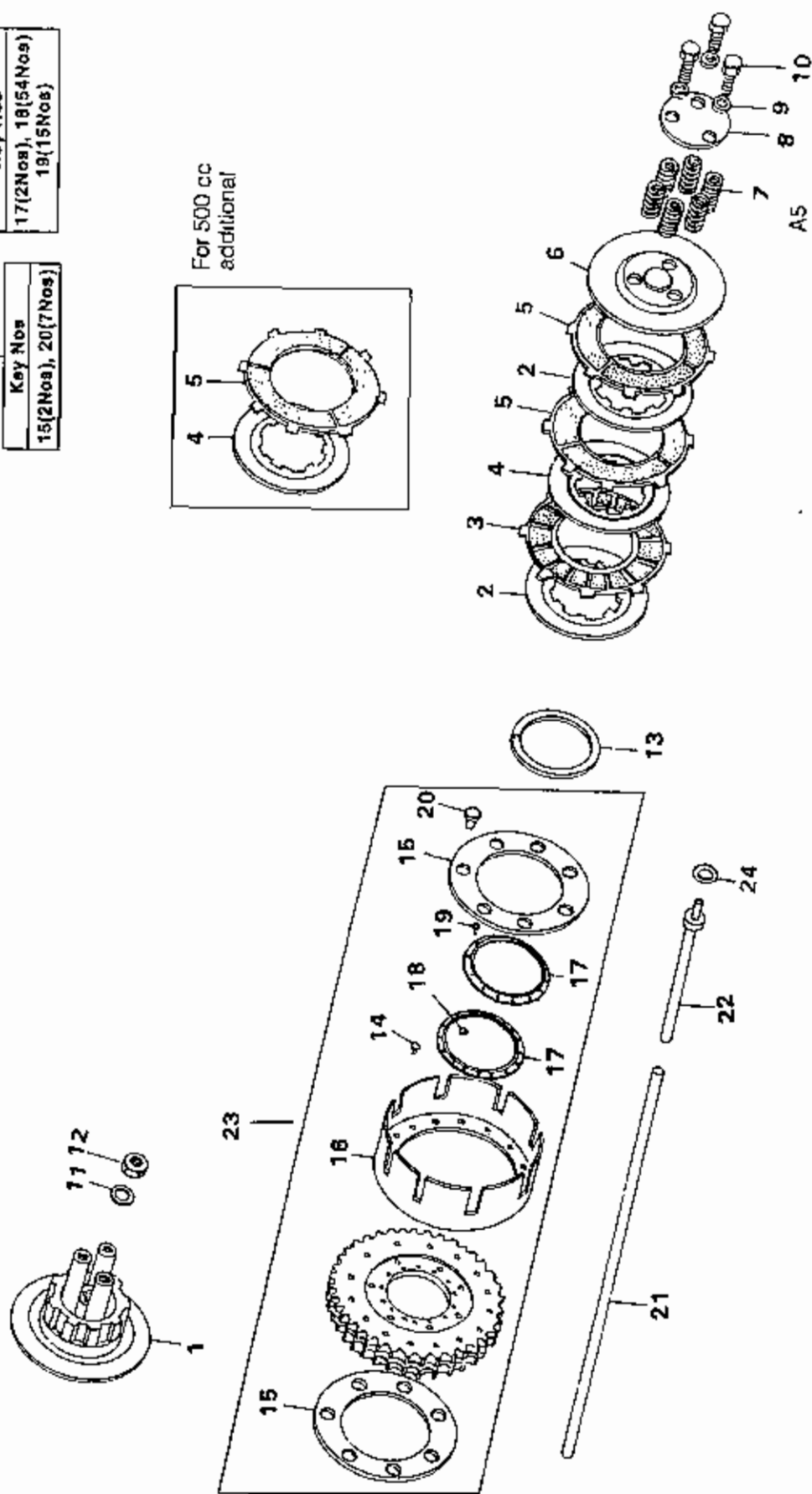
02-60 CHAINCASE INNER



02-65 CHAINCASE OUTER



02-70 CLUTCH

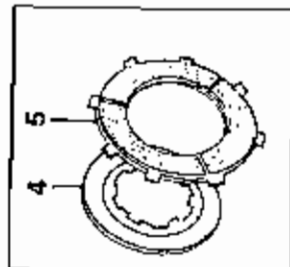


A4

Key Nos
17(2Nos), 18(54Nos) 19(15Nos)

A3

Key Nos
15(2Nos), 20(7Nos)



A5

KEY NOS
All in group 3 - 70 Except 21, 22, 24

A2

KEY NOS
3 (1 NO), 5 (2 NOS)

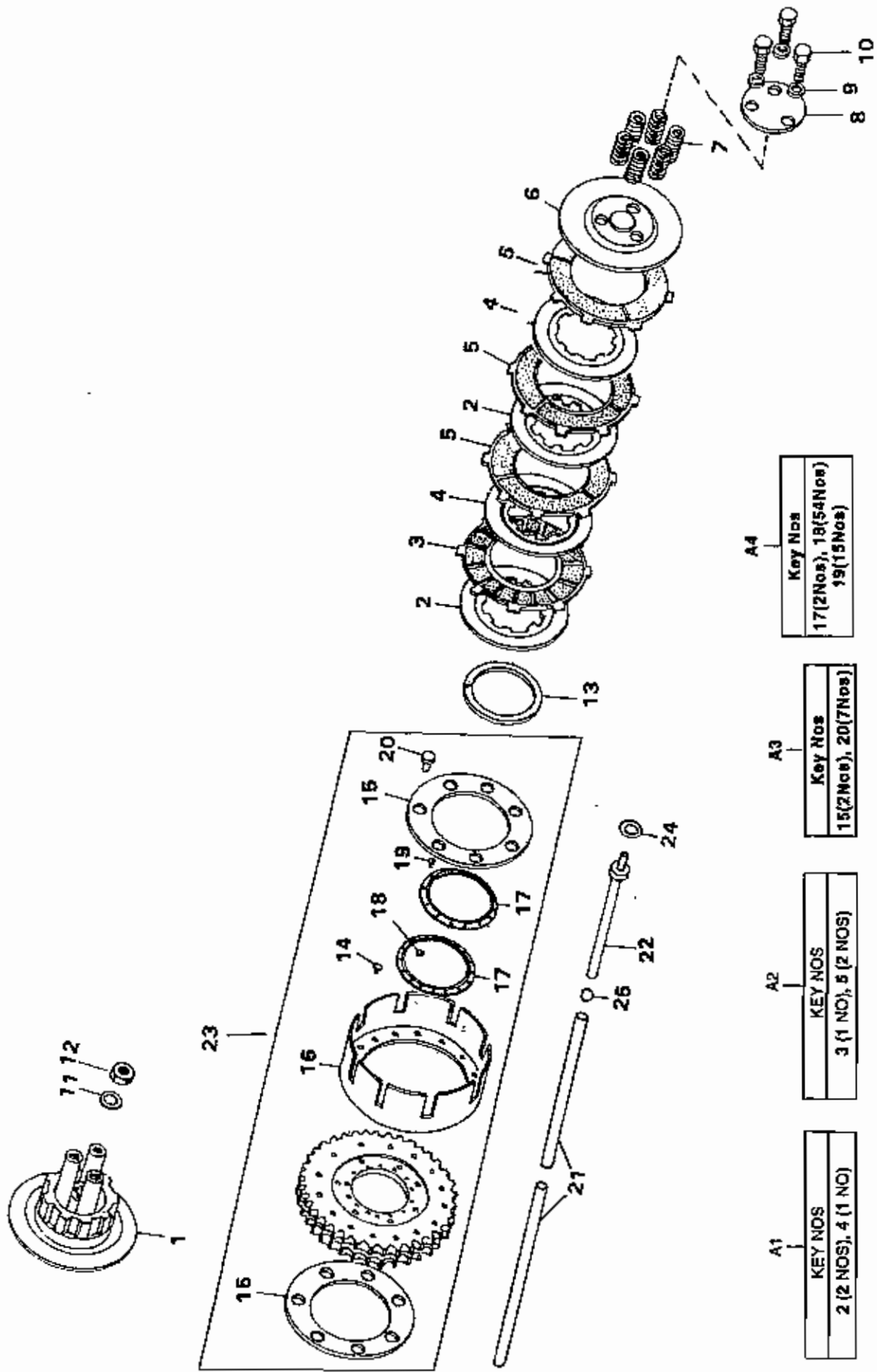
A1

KEY NOS
2 (2 NOS), 4 (1 NO)

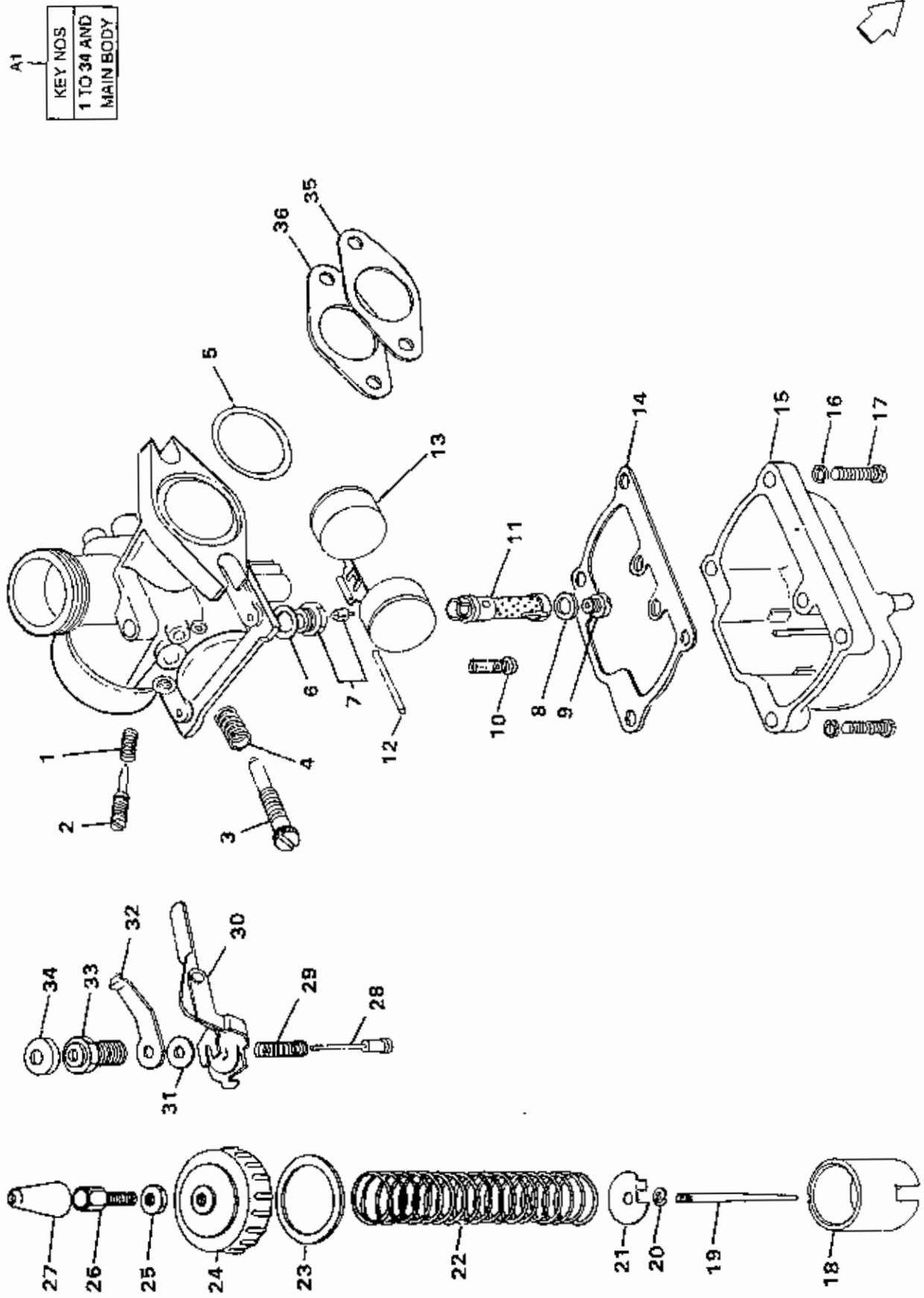


KEY NO.	NEW PART NO.	OLD PART NUMBER	DESCRIPTION	QTY	MODEL	REMARKS
	112055		CLUTCH STEEL PLATE KIT	1	350/500 & 535 CC	
A1	597051		CLUTCH STEEL PLATE KIT - FOUR PIECE	1	350	(ONLY FOR BIKES BEFORE SEPT 1998)
A2	141992		CLUTCH FRICTION PLATE KIT	1	350/ 500 & 535 CC	
A3	597050		CLUTCH STEEL PLATE KIT - FOUR PIECE	1	350/ 500 & 535 CC	
A4	144291		CLUTCH FRICTION DISC KIT	1	350/ 500 & 535 CC	
A4	144292		CLUTCH BALL CAGE KIT	1	350/ 500 & 535 CC	
A5	111133		CLUTCH ASSEMBLY	1	350	(ONLY FOR BIKES BEFORE SEPT 1998)
A5	142193		CLUTCH ASSEMBLY	1	350 & 500	FOR BIKES AFTER SEPT 1998
1	111185		CLUTCH CENTRE & BACK PLATE ASSY	1	350	(ONLY FOR BIKES BEFORE SEPT 1998)
	144496	142196	CLUTCH CENTRE & BACK PLATE ASSY	1	350/ 500 & 535 CC	(ONLY FOR BIKES BEFORE SEPT 1998)
		5107003130	CLUTCH CENTRE ASSY	1	350	FOR BIKES AFTER SEPT 1998
		5607003130	CLUTCH CENTRE ASSY	1	500	NOT SERVICEABLE ANYMORE
2		140758	STEEL PLATE, DISHED-CLUTCH	2	350 & 500	NOT SERVICEABLE ANYMORE
2	144461	5107007140	STEEL PLATE, DISHED-CLUTCH	2	350/ 500 & 535 CC	FOR BIKES AFTER SEPT 1998
3		140329	CLUTCH FRICTION PLATE, (INSERT TYPE)	1	350 & 500	NOT SERVICEABLE ANYMORE
3	144459	5107005140	CLUTCH FRICTION PLATE, (INSERT TYPE)	1	350 & 500	FOR BIKES AFTER SEPT 1998
4		140380	STEEL PLATE PLAIN	1	350	NOT SERVICEABLE ANYMORE
		140350	STEEL PLATE PLAIN	2	500	
4	144460	5107006140	STEEL PLATE PLAIN	2	350/ 500 & 535 CC	FOR BIKES AFTER SEPT 1998
5		111146	CLUTCH BONDED PLATE ASSY	2	350	NOT SERVICEABLE ANYMORE
		111146	CLUTCH BONDED PLATE ASSY	3	500	
5	144458	5107004140	CLUTCH BONDED PLATE ASSY	3	350 & 500	FOR BIKES AFTER SEPT 1998
	144278		CLUTCH BONDED PLATE ASSY	4	535 CC	
6	144463	140347	CLUTCH FRONT PLATE	1	350/ 500 & 535 CC	FOR BIKES AFTER SEPT 1998
		5107015130	CLUTCH FRONT PLATE	1	350 & 500	NOT SERVICEABLE ANYMORE
7	144138	140322	SPRING - CLUTCH	6	350/ 500 & 535 CC	
8	140349		CLUTCH CAP	6	350/ 500 & 535 CC	
9	140129		WASHER - SCREW - CLUTCH SPRING	3	350/ 500 & 535 CC	
10	140321		SCREW-CLUTCH SPRING	3	350/ 500 & 535 CC	
11	140346		SPRING WASHER	1	350/ 500 & 535 CC	

02-70 CLUTCH

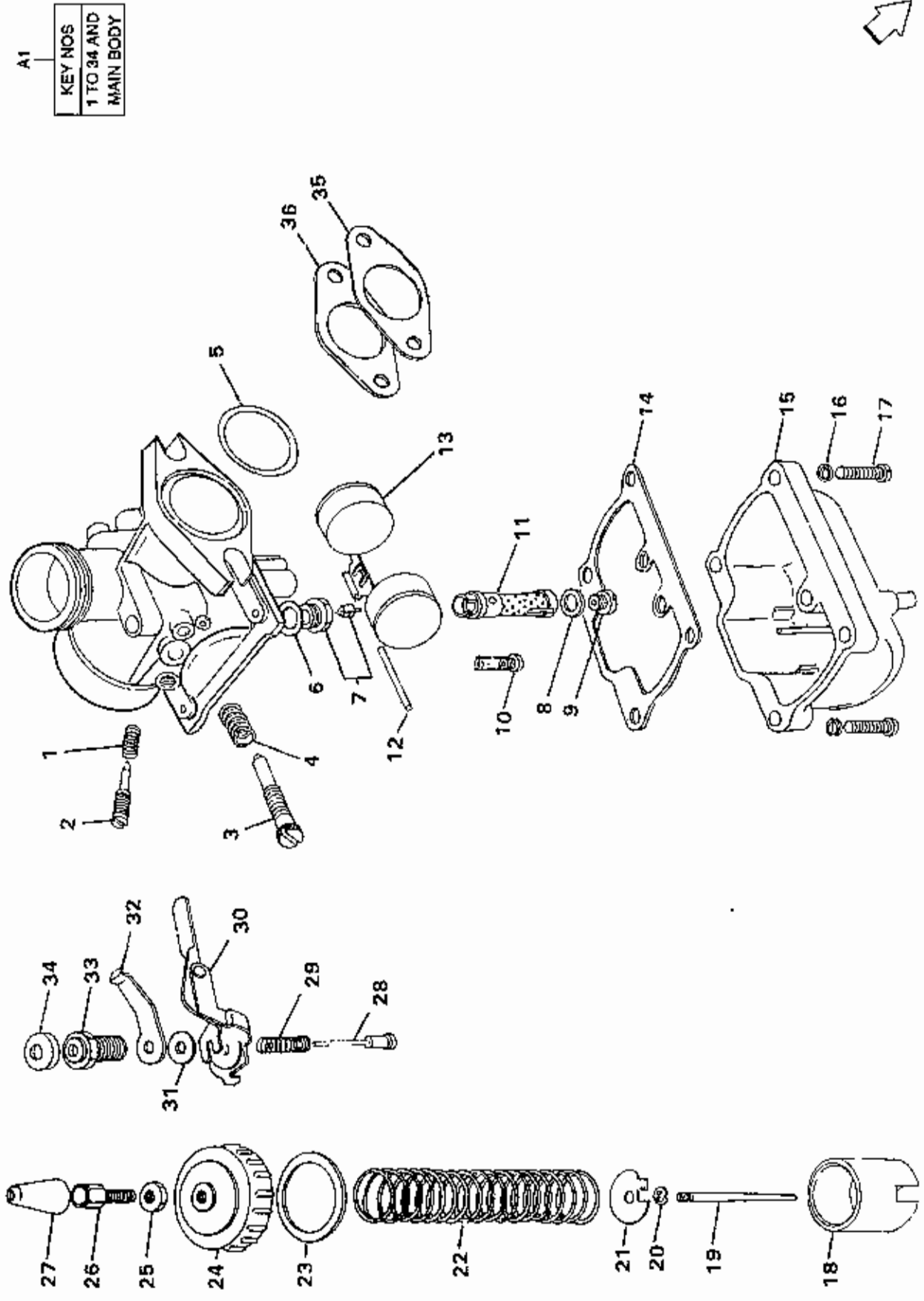


02-75 CARBURETTOR VM 24

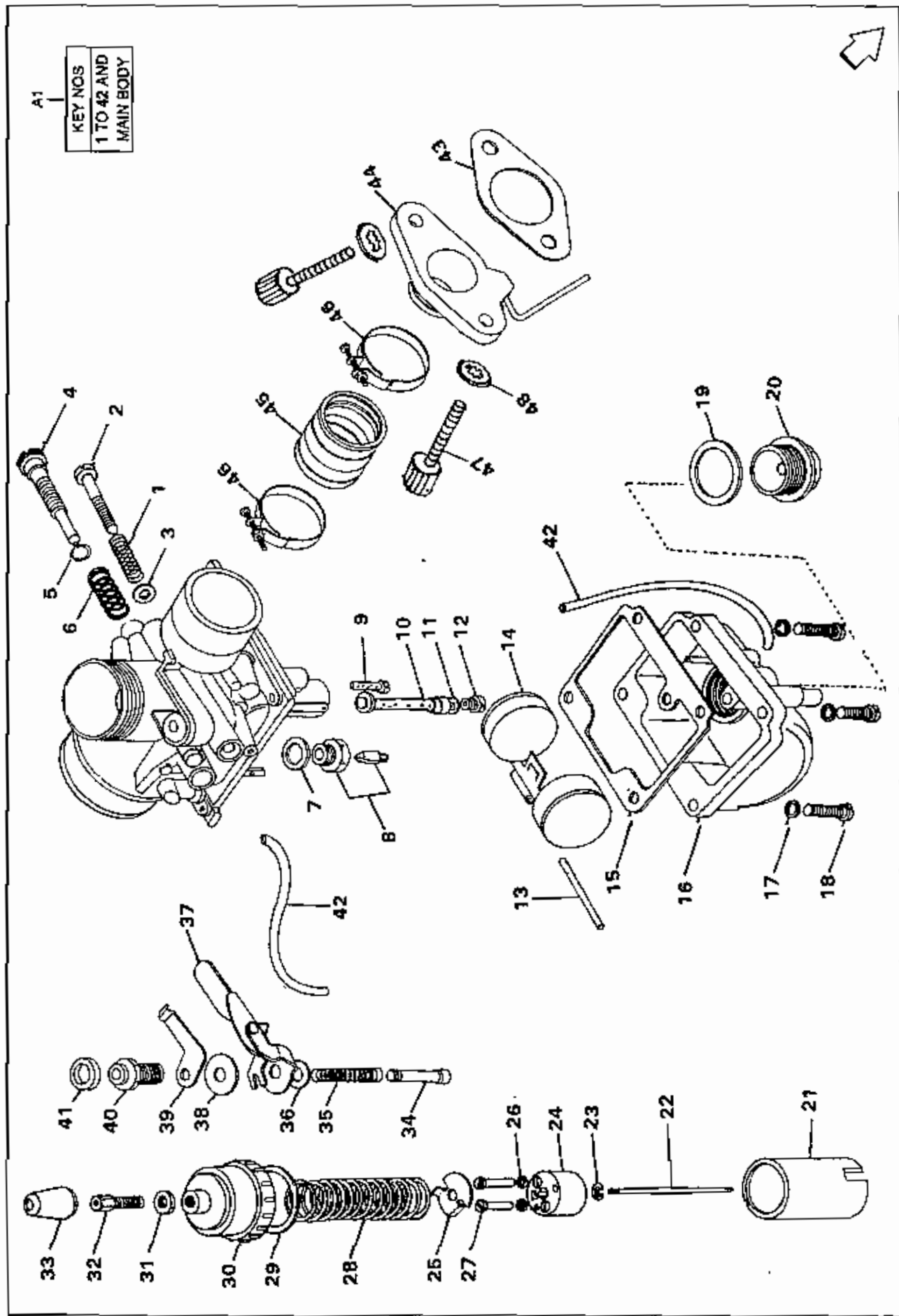


KEY NO.	NEW PART NO.	OLD PART NO.	DESCRIPTION	QTY	MODEL	REMARKS
	141826				350/500 & 535 CC	
A1	144732		CARBURETTOR ASSY - MIKCARB VM 24	1	350	
1	141947		CARBURETTOR- MIKCARB VM 24 PULL TYPE CHOKE KNOB	1	350	(FOR BIKES PRODUCED FROM JUNE 99)
2	141947		SPRING - AIR SCREW	1	350	
3	141951		AIR SCREW	1	350	
4	141958		SCREW - THROTTLE VALVE ADJUSTER	1	350	
5	141952		SPRING - THROTTLE ADJUSTER	1	350	
6	141945		O.RING	1	350	
7	141967		WASHER - VALVE SEAT PACKING	1	350	
8	141969		NEEDLE VALVE ASSY	1	350	
9	141966		WASHER MAIN JET	1	350	
10	141948		MAIN JET-90	1	350	
11	141977		PILOT JET	1	350	
12	141978		NEEDLE JET	1	350	
13	141950		HINGE PIN	1	350	
14	141970		FLOAT ASSY	1	350	
15	141953		GASKET	1	350	
16	141968		FLOAT CHAMBER BODY	1	350	
17	141963		SPRING WASHER	4	350	
18	141964		SCREW	4	350	
19	141957		THROTTLE VALVE	1	350	
20	141945		JET NEEDLE	1	350	
21	141965		SPRING CLIP	1	350	
22	141959		SPRING PLATE	1	350	
23	141954		SPRING - THROTTLE VALVE	1	350	
24	141974		WASHER RUBBER - MIXING CHAMBER TOP	1	350	
25	141973		MIXING CHAMBER TOP	1	350	
26	141975		LOCK NUT - THROTTLE CABLE ADJUSTER	1	350	
27	141976		ADJUSTER - THROTTLE CABLE	1	350	

02-75 CARBURETTOR VM 24

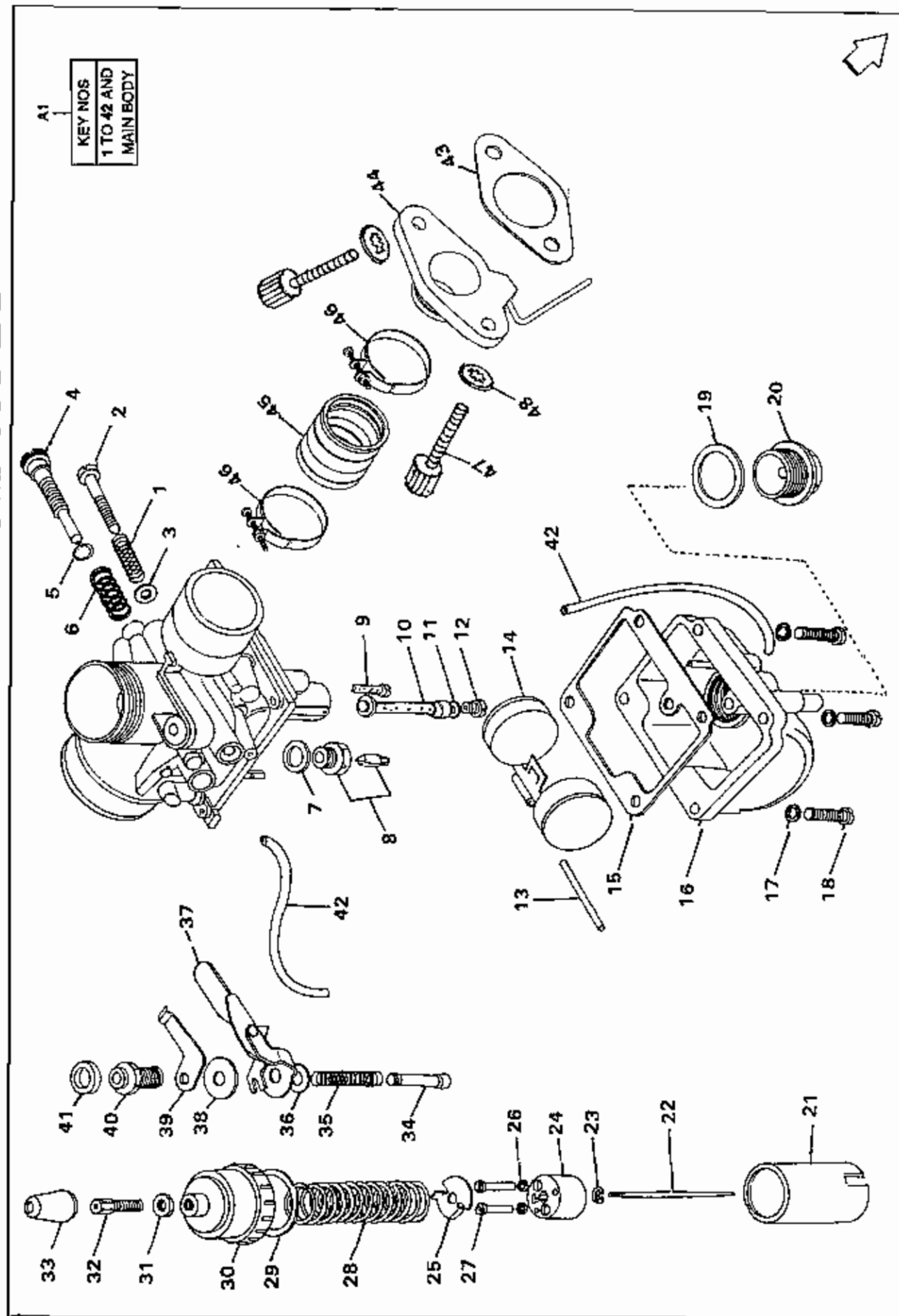


02-80 CARBURETTOR VM 28

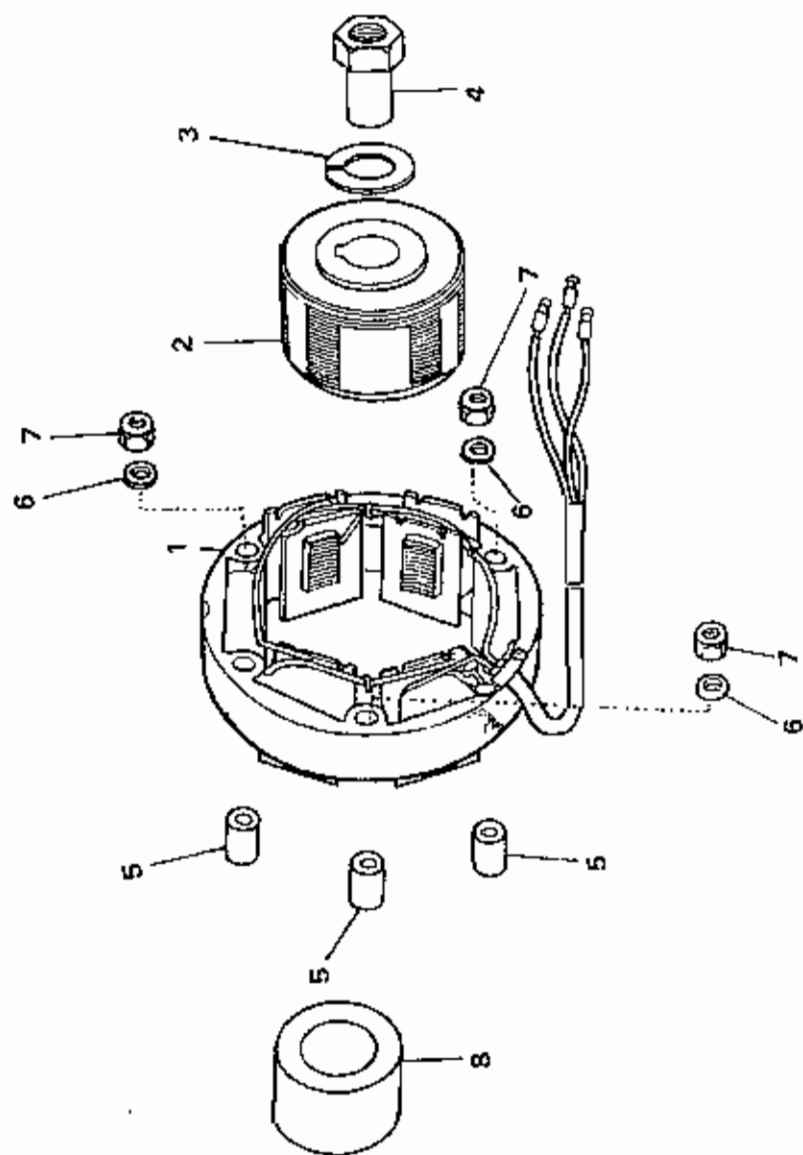


KEY NEW PART/OLD PART		DESCRIPTION	QTY	MODEL	REMARKS
NO. NUMBER	NUMBER				
A1	144135	CARBURETTOR ASSY VM 28	1	350/500 & 535 CC	
	144136	CARBURETTOR ASSY VM 28		635 CC	
1	141947	SPRING - AIR SCREW	1	500 & 535 CC	
2	142970	AIR SCREW	1	500 & 535 CC	
3	142971	O RING	1	500 & 535 CC	
4	142972	ADJUSTER THROTTLE STOP SCREW	1	500 & 535 CC	
5	142981	O RING	1	500 & 535 CC	
6	142973	SPRING - THROTTLE ADJUSTER	1	500 & 535 CC	
7	141967	WASHER - VALVE SEAT PACKING	1	500 & 535 CC	
8	142984	NEEDLE VALVE ASSY	1	500 & 535 CC	
9	141977	PILOT JET	1	500	
10	142982	NEEDLE JET	1	500	
11	141966	WASHER MAIN JET	1	500 & 535 CC	
12	112180	MAIN JET 110	1	500	
13	141950	HINGE PIN - CARB FLOAT	1	500 & 535 CC	
14	142986	FLOAT ASSY	1	500 & 535 CC	
15	142974	FLOAT CHAMBER GASKET	1	500 & 535 CC	
16	142995	FLOAT CHAMBER BODY ASSY	1	500 & 535 CC	
17	141963	SPRING WASHER - FLOAT CHAMBER	1	500 & 535 CC	
18	141964	SCREW - FLOAT CHAMBER	1	500 & 535 CC	
19	142991	WASHER FIBRE - FCB DRAIN	1	500 & 535 CC	
20	142990	PLUG - FLOAT CHAMBER BODY DRAIN	1	500 & 535 CC	
21	142977	THROTTLE VALVE	1	500 & 535 CC	
22	141945	JET NEEDLE	1	500 & 535 CC	
23	141965	SPRING CLIP - JET NEEDLE	1	500 & 535 CC	
24	142978	CONNECTOR BLOCK	1	500 & 535 CC	
25	142976	PLATE BLOCK	1	500 & 535 CC	
26	142983	WASHER	2	500 & 535 CC	

02-80 CARBURETTOR VM 28



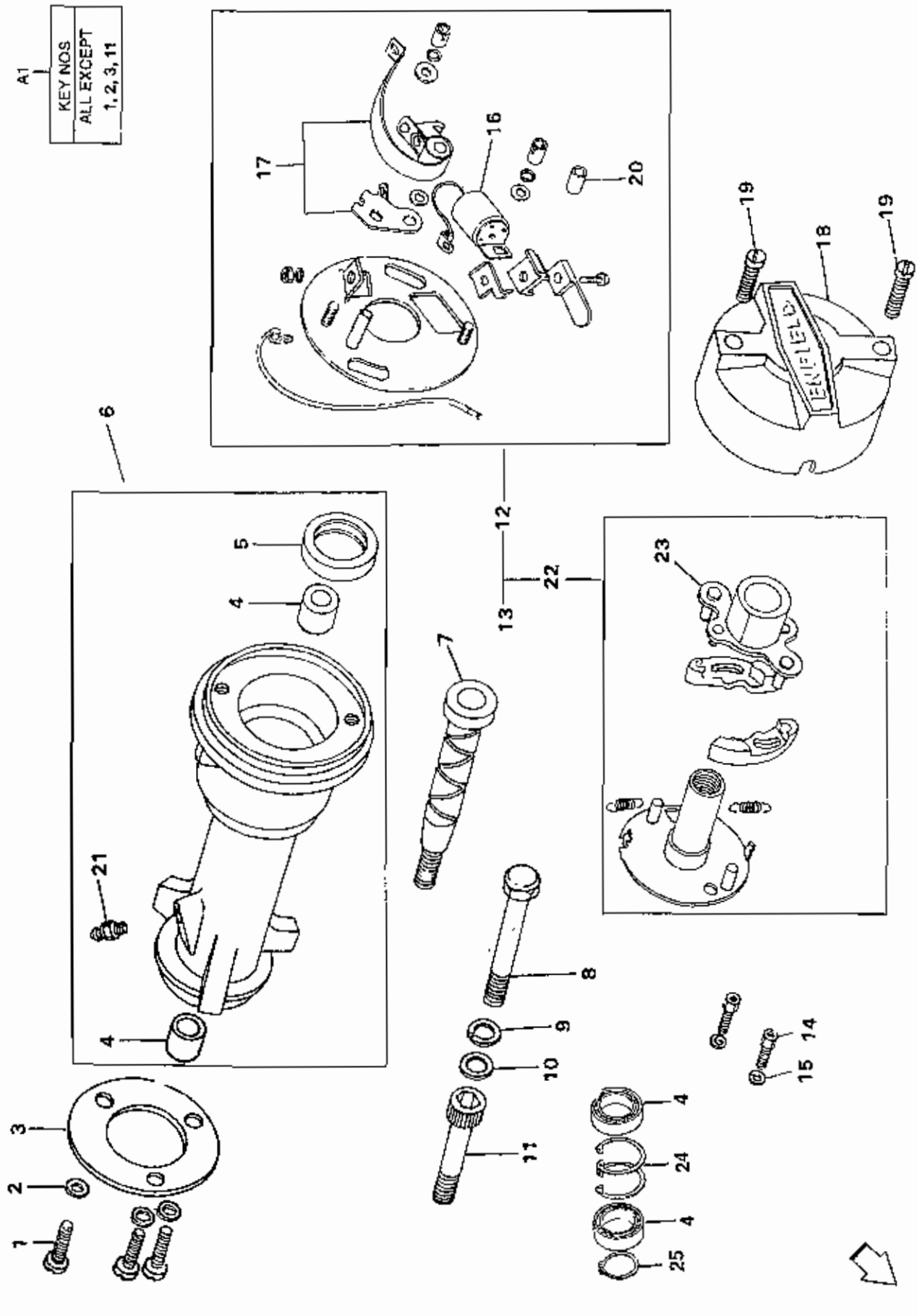
02-85 ALTERNATOR



A1
KEY NOS
1, 2

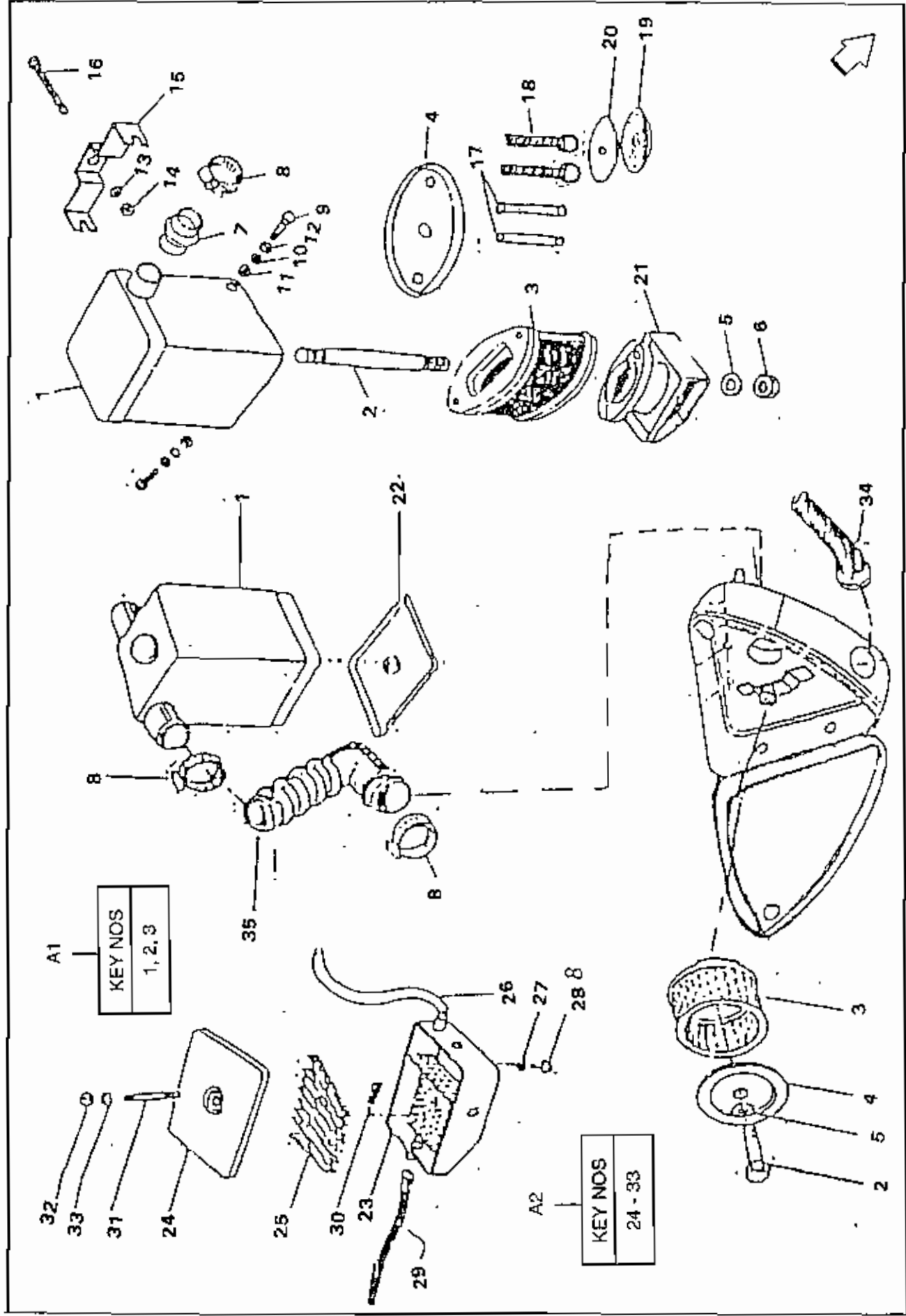


02-90 DISTRIBUTOR



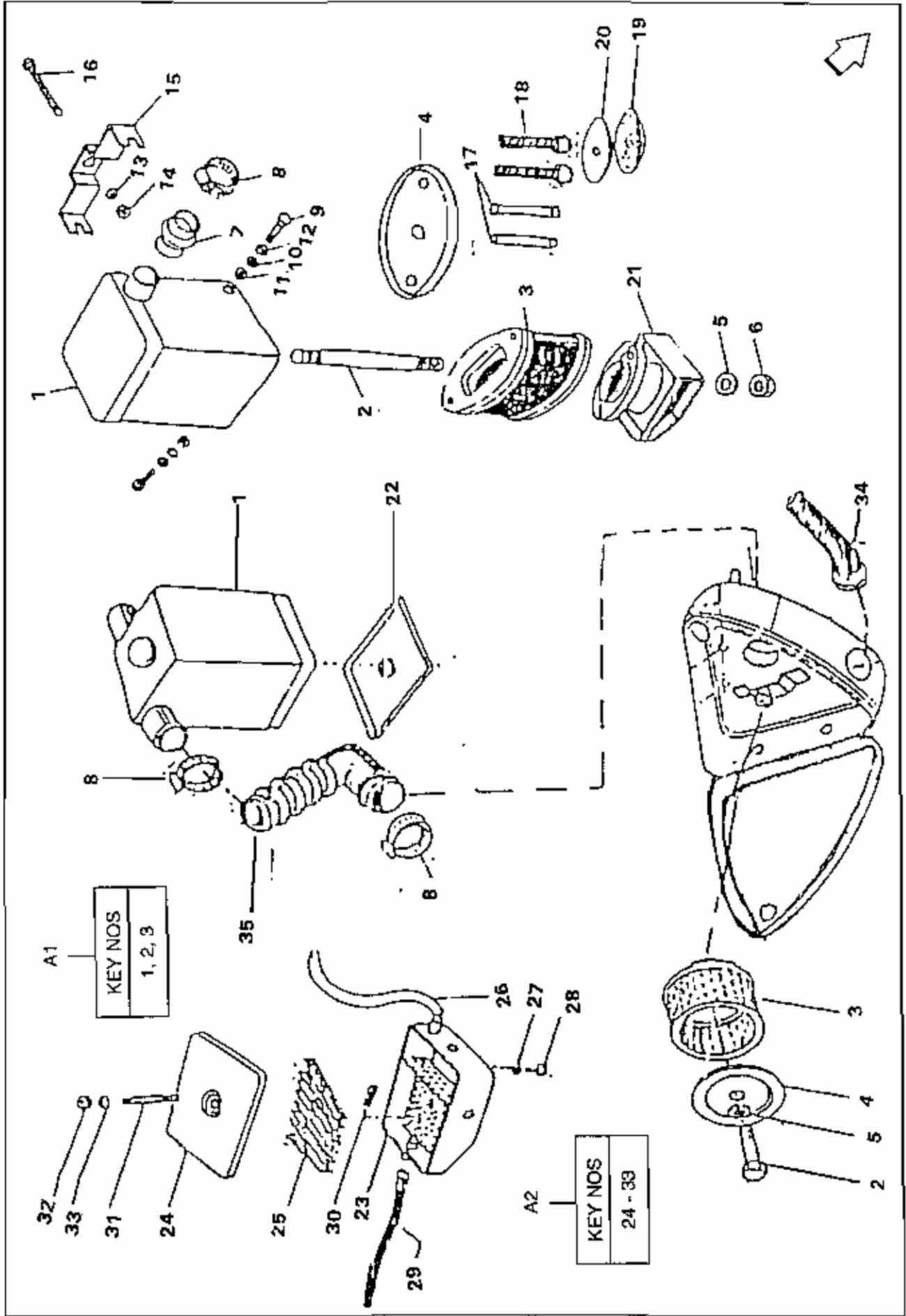
KEY	NEW PART	NO.	NUMBER	DESCRIPTION	QTY	MODEL	REMARKS
		143875	140901	DISTRIBUTOR ASSEMBLY	1	350/500 & 535 CC	
A1		144478		DISTRIBUTOR ASSEMBLY	1	350	FOR BIKES PRODUCED AFTER JUNE 98
1		140160		SCREW- DISTRIBUTOR FLANGE	3	500 & 535 CC	
2		140129		WASHER - SCREW - DISTRIBUTOR FLANGE	3	350/ 500 & 535 CC	
3		144623	144045	GASKET-DISTRIBUTOR FLANGE (ALT 140159)	1	350/ 500 & 535 CC	
4		143630	140905	BUSH-CONTACT BREAKER SHAFT	2	350	COMMON FOR 500CC BEFORE JUNE 98
		144481		BEARING CONTACT BREAKER SHAFT	2	500 & 535 CC	FOR BIKES PRODUCED AFTER JUNE 98
5		150013		CONTACT BREAKER OIL SEAL	1	350	COMMON FOR 500CC BEFORE JUNE 98
		144483		CONTACT BREAKER OIL SEAL	1	500 & 535 CC	FOR BIKES PRODUCED AFTER JUNE 98
6		143874	143632	DISTRIBUTOR BODY ASSY	1	350	COMMON FOR 500CC BEFORE JUNE 98
6A		144479		DISTRIBUTOR BODY ONLY	1	500 & 535 CC	FOR BIKES PRODUCED AFTER JUNE 98
7		141988		SHAFT - CONTACT BREAKER	1	350	COMMON FOR 500CC BEFORE JUNE 98
		144480		SHAFT - CONTACT BREAKER	1	500 & 535 CC	FOR BIKES PRODUCED AFTER JUNE 98
8		141462		BOLT - CAM ASSEMBLY	1	350	
9		140129		SPRING WASHER - BOLT - CAM ASSEMBLY	1	350/ 500 & 535 CC	
10		140083		WASHER - BOLT CAM ASSEMBLY	1	350/ 500 & 535 CC	
11		142598		ALLEN SCREW - C.B. CAM FIXING	1	500 & 535 CC	FOR BIKES PRODUCED AFTER JUNE 98
13		141810		C B PLATE, CAM & GOVERNOR ASSY	1	500 & 535 CC	COMMON FOR 500CC BEFORE JUNE 98
		144146		C B PLATE, CAM & GOVERNOR ASSY	1	500 & 535 CC	FOR BIKES PRODUCED AFTER JUNE 98
14		142120		SCREW - FOR FIXING C B BASE PLATE	2	350/ 500 & 535 CC	
15		142119		WASHER FOR CONTACT BREAKER STUD	2	350/ 500 & 535 CC	
16		141812		CONDENSER	1	350/ 500 & 535 CC	
17		140954		C.B. POINT SET (ALT 142690)	1	350/ 500 & 535 CC	
18		142476		COVER - CONTACT BREAKER HOUSING	1	350/ 500 & 535 CC	
19		142121		SCREW - FOR FIXING CONTACT BREAKER COVER	2	350/ 500 & 535 CC	
20		140714		SNAPON CONNECTOR	1	350/ 500 & 535 CC	
21		113049		GREASE NIPPLE	1	350/ 500 & 535 CC	
23		140951		CAM ASSEMBLY	1	350/ 500 & 535 CC	
24		143909		CIRCLIP	2	500 & 535 CC	FOR BIKES PRODUCED AFTER JUNE 98
25		144482		CIRCLIP	2	500 & 535 CC	FOR BIKES PRODUCED AFTER JUNE 98

03 - 10 AIR FILTER, BREATHER BOX ASSY



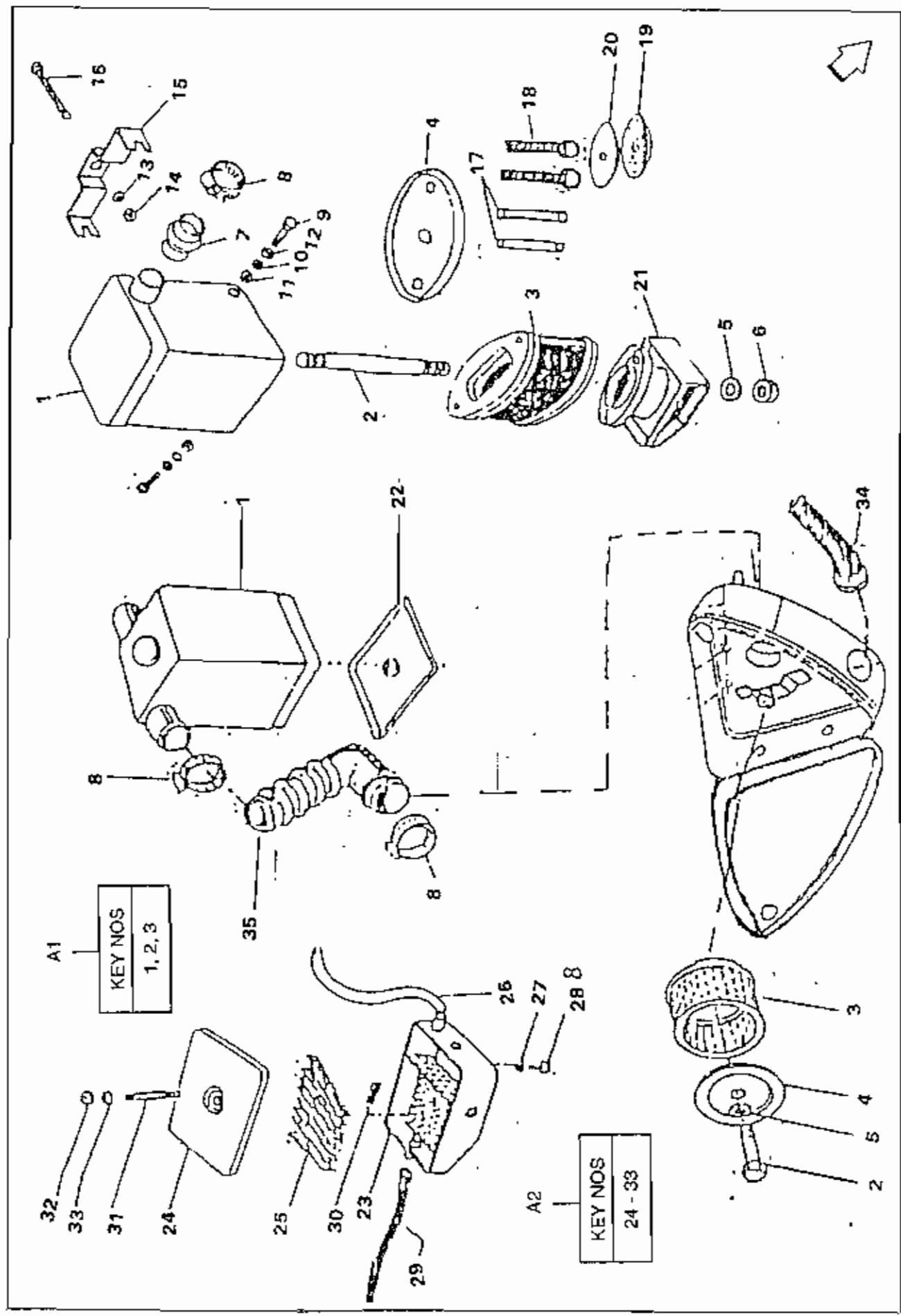
KEY NEW PART OLD PART		DESCRIPTION	QTY	MODEL	REMARKS
NO. NUMBER	NUMBER				
	801125	143531	1	350/500 & 535 CC	
		RESONATOR BOX ASSEMBLY PAINTED - BLACK		350/500	EUROPE AFTER JAN 97
	802041	143531	1	350/500	EUROPE AFTER JAN 97
		RESONATOR BOX ASSEMBLY PAINTED - RED		350/500	EUROPE AFTER JAN 97
A1	803034	143531	1	350/500	EUROPE AFTER JAN 97
		RESONATOR BOX ASSEMBLY PAINTED - BLUE		350/500	EUROPE AFTER JAN 97
	806014	143531	1	350/500	EUROPE AFTER JAN 97
		RESONATOR BOX ASSEMBLY PAINTED - ATHENA GREY		350/500	EUROPE AFTER JAN 97
	811016	143531	1	350/500	EUROPE AFTER JAN 97
		RESONATOR BOX ASSEMBLY PAINTED - VELVET GREEN		350/500	EUROPE AFTER JAN 97
	809030	143531	1	350/500	EUROPE AFTER JAN 97
		RESONATOR BOX ASSEMBLY PAINTED - BURGUNDY		350/500	EUROPE AFTER JAN 97
	801128	144327	1	535 CC	EUROPE AFTER JAN 97
		RESONATOR BOX ASSEMBLY PAINTED - BLACK		535 CC	EUROPE AFTER JAN 97
	802046	144327	1	535 CC	EUROPE AFTER JAN 97
		RESONATOR BOX ASSEMBLY PAINTED - RED		535 CC	EUROPE AFTER JAN 97
A1	803039	144327	1	535 CC	EUROPE AFTER JAN 97
		RESONATOR BOX ASSEMBLY PAINTED - BLUE		535 CC	EUROPE AFTER JAN 97
	806017	144327	1	535 CC	EUROPE AFTER JAN 97
		RESONATOR BOX ASSEMBLY PAINTED - ATHENA GREY		535 CC	EUROPE AFTER JAN 97
	811019	144327	1	535 CC	EUROPE AFTER JAN 97
		RESONATOR BOX ASSEMBLY PAINTED - VELVET GREEN		535 CC	EUROPE AFTER JAN 97
	809034	144327	1	535 CC	EUROPE AFTER JAN 97
		RESONATOR BOX ASSEMBLY PAINTED - BURGUNDY		535 CC	EUROPE AFTER JAN 97
	801162	143654	1	350/500	USA/CANADA ONLY
		AIR FILTER ASSEMBLY PAINTED - BLACK		350/500	USA/CANADA ONLY
	802025	143654	1	350/500	USA/CANADA ONLY
		AIR FILTER ASSEMBLY PAINTED - RED		350/500	USA/CANADA ONLY
A1	803016	143654	1	350/500	USA/CANADA ONLY
		AIR FILTER ASSEMBLY PAINTED - BLUE		350/500	USA/CANADA ONLY
	806028	143654	1	350/500	USA/CANADA ONLY
		AIR FILTER ASSEMBLY PAINTED - ATHENA GREY		350/500	USA/CANADA ONLY
	811038	143654	1	350/500	USA/CANADA ONLY
		AIR FILTER ASSEMBLY PAINTED - VELVET GREEN		350/500	USA/CANADA ONLY
	809009	143654	1	350/500	USA/CANADA ONLY
		AIR FILTER ASSEMBLY PAINTED - BURGUNDY		350/500	USA/CANADA ONLY
A2	801151	143494	1	350/500 & 535 CC	EUROPE/US/CAN
		CRANK CASE BREATHING BOX ASSEMBLY		350/500 & 535 CC	EUROPE/US/CAN
	801200	112138	1	350/500 & 535 CC	JAPAN/REGULAR/EUR BEFORE JAN 97
		AIR FILTER HOUSING PAINTED - BLACK		350/500 & 535 CC	JAPAN/REGULAR/EUR BEFORE JAN 97
	802054	112138	1	350/500 & 535 CC	JAPAN/REGULAR/EUR BEFORE JAN 97
		AIR FILTER HOUSING PAINTED - RED		350/500 & 535 CC	JAPAN/REGULAR/EUR BEFORE JAN 97
1	803047	112138	1	350/500 & 535 CC	JAPAN/REGULAR/EUR BEFORE JAN 97
		AIR FILTER HOUSING PAINTED - BLUE		350/500 & 535 CC	JAPAN/REGULAR/EUR BEFORE JAN 97
	806045	112138	1	350/500 & 535 CC	JAPAN/REGULAR/EUR BEFORE JAN 97
		AIR FILTER HOUSING PAINTED - ATHENA GREY		350/500 & 535 CC	JAPAN/REGULAR/EUR BEFORE JAN 97
	811049	112138	1	350/500 & 535 CC	JAPAN/REGULAR/EUR BEFORE JAN 97
		AIR FILTER HOUSING PAINTED - VELVET GREEN		350/500 & 535 CC	JAPAN/REGULAR/EUR BEFORE JAN 97
	809042	112138	1	350/500 & 535 CC	JAPAN/REGULAR/EUR BEFORE JAN 97
		AIR FILTER HOUSING PAINTED - BURGUNDY		350/500 & 535 CC	JAPAN/REGULAR/EUR BEFORE JAN 97

03 - 10 AIR FILTER, BREATHER BOX ASSY



KEY NEW PART/OLD PART		DESCRIPTION	QTY	MODEL	REMARKS	
NO. NUMBER	NUMBER					
	801126	143478	RESONATOR BOX HOUSING PAINTED - BLACK	1	350/500	EUROPE AFTER JAN 97
	802042	143478	RESONATOR BOX HOUSING PAINTED - RED	1	350/500	EUROPE AFTER JAN 97
1	803035	143478	RESONATOR BOX HOUSING PAINTED - BLUE	1	350/500	EUROPE AFTER JAN 97
	806015	143478	RESONATOR BOX HOUSING PAINTED - ATHENA GREY	1	350/500	EUROPE AFTER JAN 97
	811017	143478	RESONATOR BOX HOUSING PAINTED - VELVET GREEN	1	350/500	EUROPE AFTER JAN 97
	809031	143478	RESONATOR BOX HOUSING PAINTED - BURGUNDY	1	350/500	EUROPE AFTER JAN 97
	801129	144326	RESONATOR BOX HOUSING PAINTED - BLACK	1	535 CC	EUROPE AFTER JAN 97
	802047	144326	RESONATOR BOX HOUSING PAINTED - RED	1	535 CC	EUROPE AFTER JAN 97
1	803040	144326	RESONATOR BOX HOUSING PAINTED - BLUE	1	535 CC	EUROPE AFTER JAN 97
	806018	144326	RESONATOR BOX HOUSING PAINTED - ATHENA GREY	1	535 CC	EUROPE AFTER JAN 97
	811020	144326	RESONATOR BOX HOUSING PAINTED - VELVET GREEN	1	535 CC	EUROPE AFTER JAN 97
	809035	144326	RESONATOR BOX HOUSING PAINTED - BURGUNDY	1	535 CC	EUROPE AFTER JAN 97
	802026		AIR FILTER HOUSING PAINTED - BLACK	1	350/500	USA/CANADA ONLY
			AIR FILTER HOUSING PAINTED - RED	1	350/500	USA/CANADA ONLY
	803017		AIR FILTER HOUSING PAINTED - BLUE	1	350/500	USA/CANADA ONLY
1	806029		AIR FILTER HOUSING PAINTED - ATHENA GREY	1	350/500	USA/CANADA ONLY
	811037		AIR FILTER HOUSING PAINTED - VELVET GREEN	1	350/500	USA/CANADA ONLY
	809010		AIR FILTER HOUSING PAINTED - BURGUNDY	1	350/500	USA/CANADA ONLY
	112120	112121	AIR FILTER HOUSING PLATED	1	350 & 500	JAPAN/REGULAR
	143655		AIR FILTER HOUSING PLATED	1	350 & 500	US/CAN
1	143478	143544	RESONATOR BOX HOUSING PLATED	1	350 & 500	EUROPE AFTER JAN 97
	144304		RESONATOR BOX HOUSING PLATED	1	535 CC	EUROPE AFTER JAN 97
2	112137		STUD - AIR FILTER	1	350/500 & 535 CC	JAPAN/US/CAN/REGULAR
	141462		BOLT - AIR FILTER ELEMENT	1	350/500 & 535 CC	EUROPE AFTER JAN 97
3	112178		AIR FILTER ELEMENT	1	350/500 & 535 CC	JAPAN/US/CAN/REGULAR
	143548		AIR FILTER ELEMENT	1	350/500 & 535 CC	EUROPE AFTER JAN 97
4	801061	210793	RETAINER TOP	1	350/500 & 535 CC	JAPAN/US/CAN/REGULAR
	143477		AIR FILTER ELEMENT COVER	1	350/500 & 535 CC	EUROPE AFTER JAN 97

03 - 10 AIR FILTER, BREATHER BOX ASSY



KEY/NEW PART	OLD PART	DESCRIPTION	QTY	MODEL	REMARKS
NO.	NUMBER				
5	110656	SPRING WASHER - AIR FILTER STUD	1	350/500 & 535 CC	JAPAN/US/CAN/REGULAR
	141061	SPRING WASHER - AIR FILTER ELEMENT FIXING	1	350/500 & 535 CC	EUROPE AFTER JAN 97
6	110663	NUT - FOR FIXING ELEMENT/BOTTOM COVER	1	350/500 & 535 CC	JAPAN/US/CAN/REGULAR
7	141829	CONNECTING TUBE - AIR FILTER	1	350/500 & 535 CC	
8	141855	WORM CLIP - AFV CONNECTING TUBE	1	350/500 & 535 CC	
	142179	WORM CLIP	2	350/500 & 535 CC	EUROPE AFTER JAN 97
9	142274	BOLT - FOR FIXING IR FILTER HOUSING	2	350/500 & 535 CC	
10	140129	SPRING WASHER - FOR FIXING AIR FILTER HOUSING	2	350/500 & 535 CC	
11	141060	NUT - FOR FIXING AIR FILTER HOUSING	2	350/500 & 535 CC	
12	141061	WASHER - FOR FIXING AIR FILTER HOUSING	2	350/500 & 535 CC	
13	140147	SPRING WASHER- AIR FILTER HOUSING BRACKET	1	350/500 & 535 CC	
14	141051	NUT - AIR FILTER HOUSING BRACKET	1	350/500 & 535 CC	
15	801066	BRACKET - AIR FILTER	1	350/500 & 535 CC	
16	111901	BOLT M 8 - BATTERY CARRIER & AIR FILTER	1	350/500 & 535 CC	
17	210794	AIR FILTER SPACER	2	350/500 & 535 CC	NOT SERVICEABLE ANYMORE
18	210790	AIR FILTER ELEMENT FIXING BOLT	2	350/500 & 535 CC	
19	143647	AIR FILTER BOTTOM PACKING	1	350/500 & 535 CC	NOT SERVICEABLE ANYMORE
20	112129	AIR FILTER RETAINER PACKING	1	350/500 & 535 CC	NOT SERVICEABLE ANYMORE
21	143765	AIR FILTER BOTTOM COVER ASSEMBLY	1	350/500 & 535 CC	JAPAN/US/CAN/REGULAR
22	801127	RESONATOR BOX HOUSING BOTTOM COVER	1	350/500 & 535 CC	EUROPE AFTER JAN 97
23	801151	BREATHER BOX BODY	1	350/500 & 535 CC	US/CAN/EUROPE AFTER JAN 97
24	801152	BREATHER BOX COVER PAINTED	1	350/500 & 535 CC	US/CAN/EUROPE AFTER JAN 98
25	143490	WIRE MESH - BREATHER BOX	1	350/500 & 535 CC	US/CAN/EUROPE AFTER JAN 99
26	143489	CONNECTING TUBE -BREATHER BOX-AIRFILTER	1	350/500 & 535 CC	US/CAN/EUROPE AFTER JAN 100
27	143496	WASHER - FIBRE - BREATHER BOX DRAIN	1	350/500 & 535 CC	US/CAN/EUROPE AFTER JAN 101
28	141093	BOLT (DRAIN -BREATHER BOX)	1	350/500 & 535 CC	US/CAN/EUROPE AFTER JAN 102
29	143485	BREATHER PIPE (LONG)	1	350/500 & 535 CC	US/CAN/EUROPE AFTER JAN 103
30	143484	BREATHER PIPE (SHORT)	1	350/500 & 535 CC	US/CAN/EUROPE AFTER JAN 104
31	143495	STUD -BREATHER BOX	1	350/500 & 535 CC	US/CAN/EUROPE AFTER JAN 105
32	141060	NUT - BREATHER BOX	1	350/500 & 535 CC	US/CAN/EUROPE AFTER JAN 106
33	143496	WASHER - BREATHER BOX	1	350/500 & 535 CC	US/CAN/EUROPE AFTER JAN 107
34	143549	AIR SUCTION PIPE	1	350/500 & 535 CC	EUROPE AFTER JAN 97
35	143497	CONNECTING TUBE - TOOL BOX TO AIR FILTER HOUSING	1	350/500 & 535 CC	EUROPE AFTER JAN 97

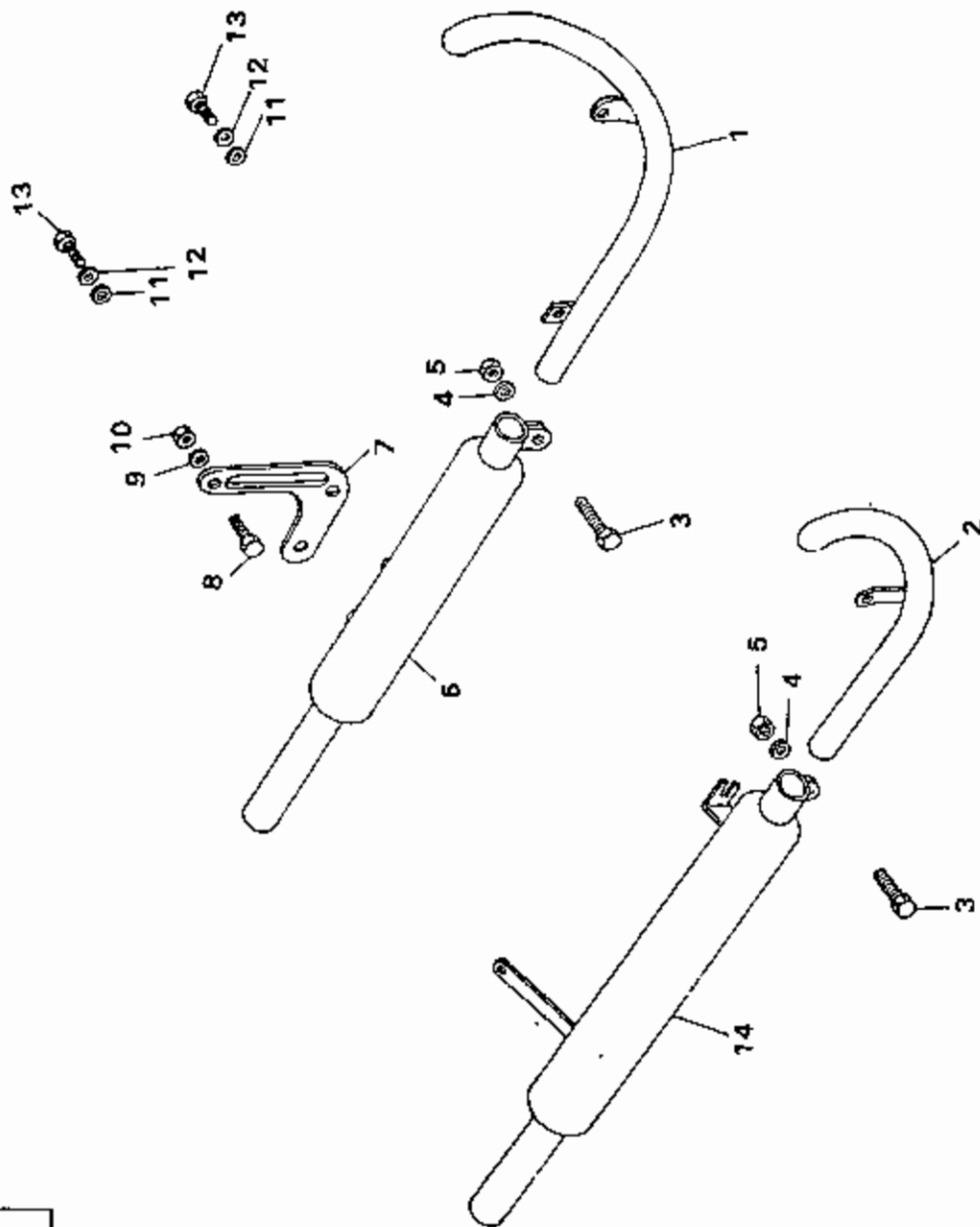
O4-10 SILENCER AND EXHAUST PIPE

A1

KEY NOS
8,7,11 (2 NOS), 12 (2 NOS), 13 (2 NOS)

A2

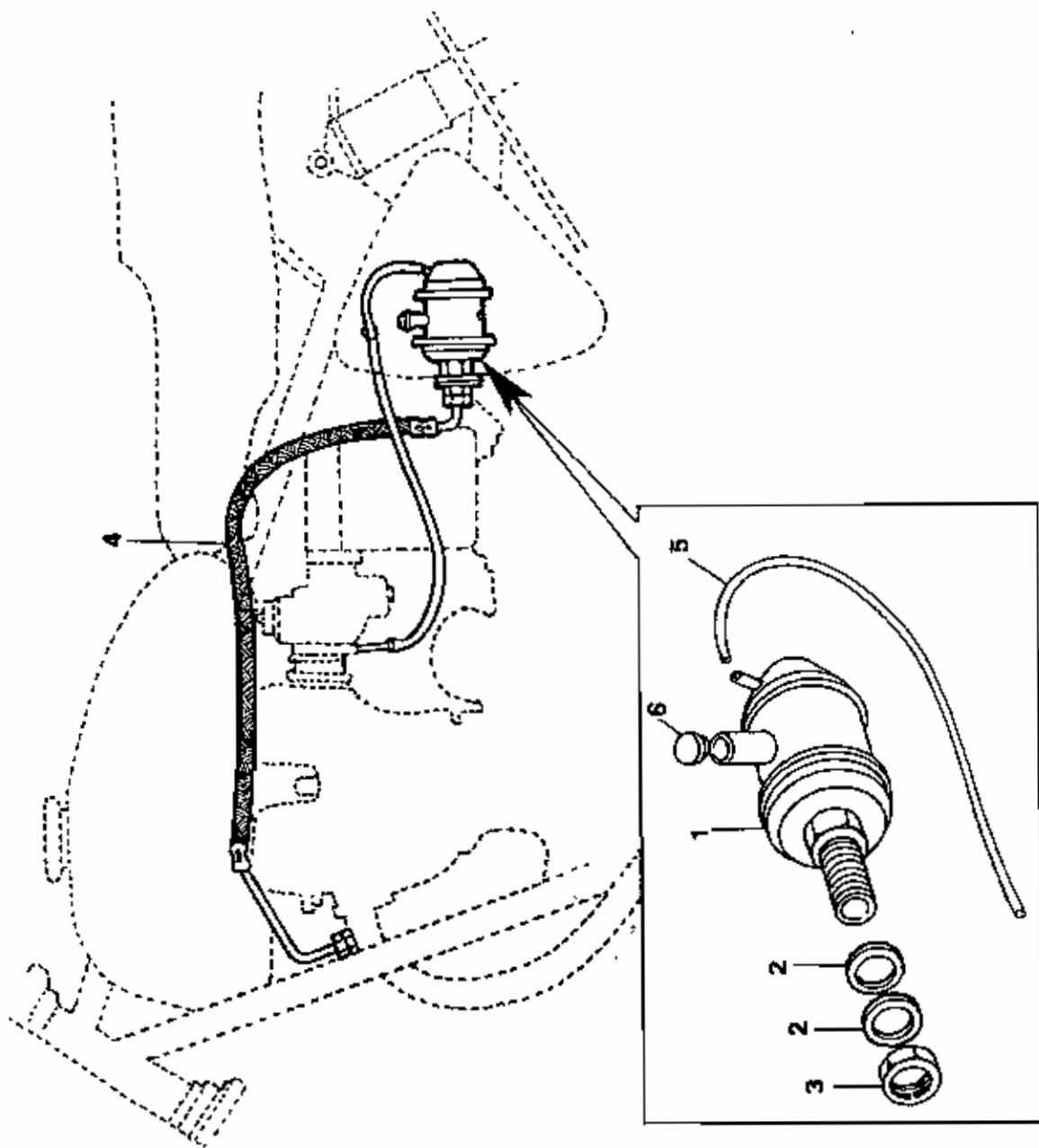
Key Nos
7,11(2Nos), 12(2Nos) 13(2Nos)14



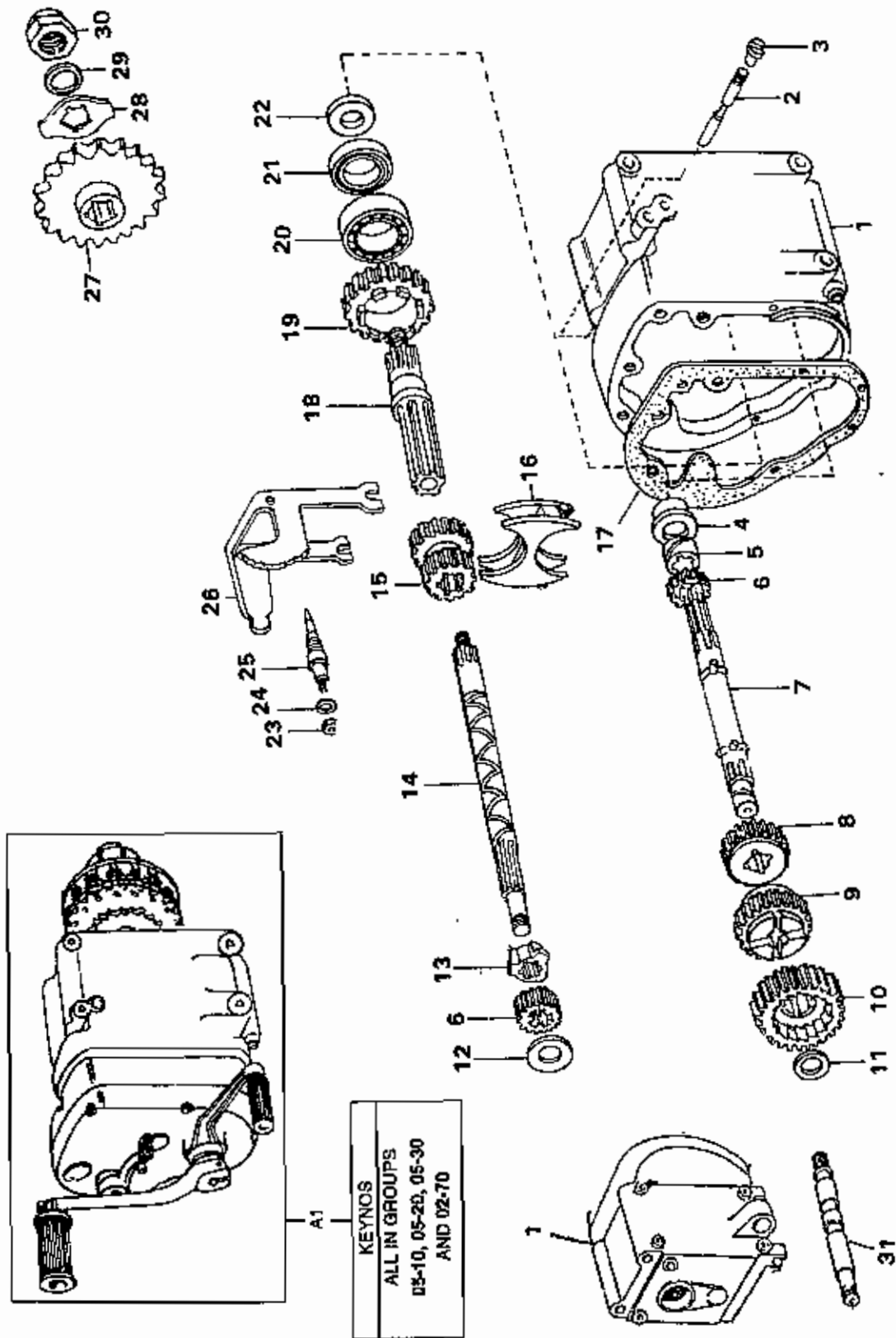
KEY/NEW PART/OLD PART NO. NUMBER	DESCRIPTION	QTY	MODEL	REMARKS
A1 112162	SILENCER ASSY (SHORT) WITH BRACKET	1	350/500 & 535 CC	JAPAN / DIESEL ONLY
112101	SILENCER ASSEMBLY (LONG) WITH BRACKET	1	350	REGULAR ONLY
142901	SILENCER ASSEMBLY (LONG) WITH BRACKET	1	500	JAPAN /REGULAR/EUROPE PRE JAN 97
A2 144691	SILENCER ASSEMBLY (LONG) WITH BRACKET	1	350 & 500	EUROPE AFTER JAN 97
144700	SILENCER ASSEMBLY (LONG) WITH BRACKET	1	535 CC	EUROPE AFTER JAN 97
143680	SILENCER ASSEMBLY (LONG) WITH BRACKET	1	350 & 500	USA / CANADA
1 144055	EXHAUST PIPE (LONG) FOR SHORT SILENCER	1	350	JAPAN ONLY
144125	EXHAUST PIPE (SHORT) FOR LONG SILENCER	1	350	REGULAR ONLY
143696	EXHAUST PIPE (SHORT) FOR LONG SILENCER	1	350	US/CAN/EUROPE
2 142443	EXHAUST PIPE (SHORT) FOR LONG SILENCER	1	500	JAPAN /USA/CAN/EUROPE PRE JAN 97
144198	EXHAUST PIPE (SHORT) FOR LONG SILENCER	1	500 & 535 CC	REGULAR/EUROPE AFTER JAN 97
3 141044	BOLT - SILENCER / EXHAUST PIPE CLIP	1	350/500 & 535 CC	
4 141061	WASHER - FOR CLIP BOLT	1	350/500 & 535 CC	
5 141060	NUT - FOR CLIP BOLT	1	350/500 & 535 CC	
6 112163	SILENCER - (SHORT)	1	350	JAPAN / DIESEL ONLY
7 112165	BRACKET - SILENCER	1	350/500 & 535 CC	
8 142258	BOLT - FOR FIXING SILENCER	1	350/500 & 535 CC	
9 140147	WASHER FOR ABOVE	1	350/500 & 535 CC	
10 141051	NUT - FOR FIXING SILENCER	1	350/500 & 535 CC	
11 140147	WASHER-SHAKE PROOF - TO FIX BRACKET TO SILENCER	2	350/500 & 535 CC	
12 140080	PLAIN WASHER - TO FIX BRACKET TO SILENCER	2	350/500 & 535 CC	
13 111715	BOLT - TO FIX BRACKET TO SILENCER	2	350/500 & 535 CC	
144192	SILENCER - LONG	1	350	REGULAR ONLY
144193	SILENCER - LONG	1	500	JAPAN /REGULAR/EUROPE PRE JAN 97
144220	SILENCER - LONG	1	350 & 500	EUROPE AFTER JAN 97
144194	SILENCER - LONG	1	350 & 500	USA/CANADA
144290	SILENCER - LONG	1	535 CC	EUROPE AFTER JAN 97

04 - 10 SILENCER AND EXHAUST PIPE

04-12 PULSE AIR VALVE

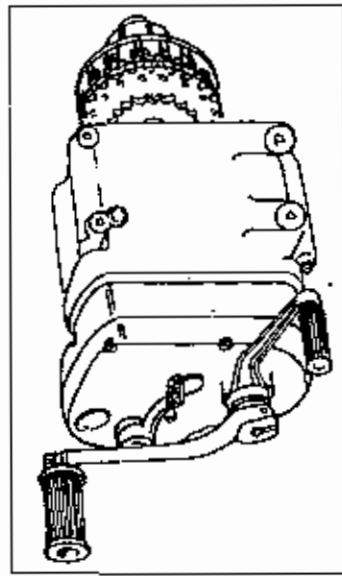


05-10 GEAR CASE AND GEARS

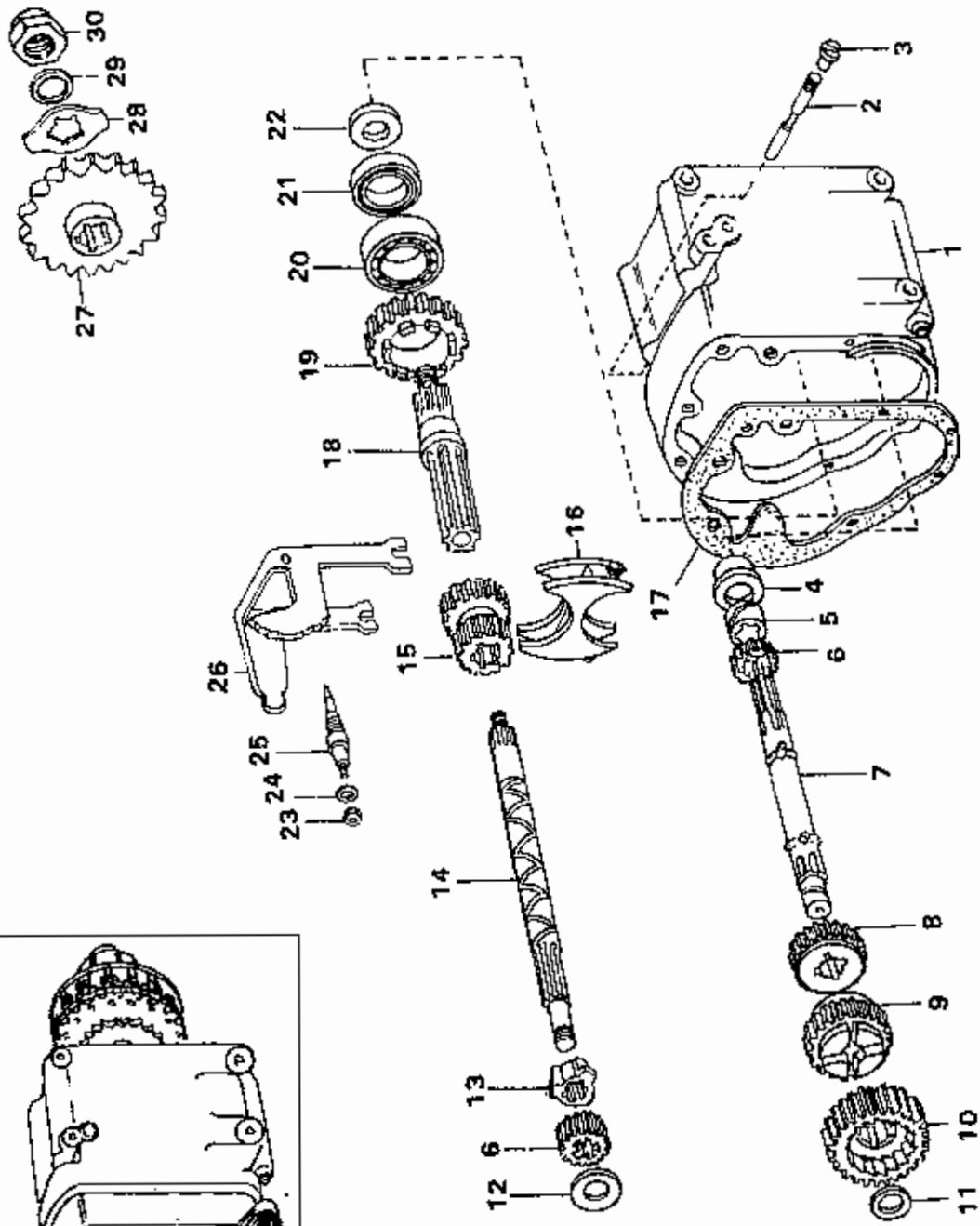


KEY NEW PART NO. NUMBER	OLD PART NUMBER	DESCRIPTION	QTY	MODEL	REMARKS
				350/500 & 535 CC	
	11285	GEAR BOX WITH CLUTCH & 16T SPROCKET	1	350	RIGHT SHIFT GEAR
	14242	GEAR BOX WITH CLUTCH & 17T SPROCKET	1		RIGHT SHIFT GEAR
	144702E	GEAR BOX WITH CLUTCH & 18T SPROCKET	1	535	RIGHT SHIFT GEAR
	113034	GEAR BOX WITH CLUTCH & 16T SPROCKET	1	350	LEFT SHIFT GEAR BOX
A1	113105	GEAR BOX WITH CLUTCH & 17T SPROCKET	1	500	LEFT SHIFT GEAR BOX
	112281	GEAR BOX WITH CL., 16T SPRKT. & NEUTRAL IND. SWITCH	1	350	RIGHT SHIFT GEAR
	112291	GEAR BOX WITH CL., 17T SPRKT. & NEUTRAL IND. SWITCH	1	500	RIGHT SHIFT GEAR
	113103	GEAR BOX WITH CL., 16T SPRKT. & NEUTRAL IND. SWITCH	1	350	LEFT SHIFT GEAR BOX
	113104	GEAR BOX WITH CL., 17T SPRKT. & NEUTRAL IND. SWITCH	1	500	LEFT SHIFT GEAR BOX
	112288	GEAR BOX ASSY. WITH 16 T SPRKT BUT W/O CLUTCH	1	350	RIGHT SHIFT GEAR
	112294	GEAR BOX ASSY. WITH 17 T SPRKT BUT W/O CLUTCH	1	500	RIGHT SHIFT GEAR
	113107	GEAR BOX ASSY. WITH 16 T SPRKT BUT W/O CLUTCH	1	350	LEFT SHIFT GEAR BOX
	113108	GEAR BOX ASSY. WITH 17 T SPRKT BUT W/O CLUTCH	1	500	LEFT SHIFT GEAR BOX
A2	112292	GEAR BOX ASSY. WITH NEUTRAL INDICATOR SWITCH	1	350	RIGHT SHIFT GEAR
	112293	GEAR BOX ASSY. WITH NEUTRAL INDICATOR SWITCH	1	500	RIGHT SHIFT GEAR
	113090	GEAR BOX ASSY. WITH NEUTRAL INDICATOR SWITCH	1	350	LEFT SHIFT GEAR BOX
	113105	GEAR BOX ASSY. WITH NEUTRAL INDICATOR SWITCH	1	500	LEFT SHIFT GEAR BOX
1	111050	GEAR BOX CASE	1	500	LEFT SHIFT GEAR BOX
	170515	GEAR BOX CASE WITH BUSH	1	350/ 500 & 535 CC	RIGHT SHIFT GEAR
2	111084	GEAR OPERATOR PIN	1	350/ 500 & 535 CC	LEFT SHIFT GEAR BOX
3	111085	BUSH - GEAR OPERATOR PIN	1	350/ 500 & 535 CC	
4	112166	LAYSHAFT BUSH - CASE END	1	350/ 500 & 535 CC	
5	111074	BUSH - SPLINED - LAY SHAFT	1	350/ 500 & 535 CC	
6	111075	MAIN SHAFT GEAR PINION 15T	2	350/ 500 & 535 CC	
7	111073	LAYSHAFT	1	350/ 500 & 535 CC	
8	111076	LAY SHAFT II GEAR PINION 19T	1	350/ 500 & 535 CC	
9	111077	LAY SHAFT III GEAR PINION 22T	1	350/ 500 & 535 CC	
10	111078	LAY SHAFT RATCHET PINION 25T	1	350/ 500 & 535 CC	
11	140334	DISTANCE WASHER-FOOT STARTER SPINDLE	1	350/ 500 & 535 CC	

05-10 GEAR CASE AND GEARS

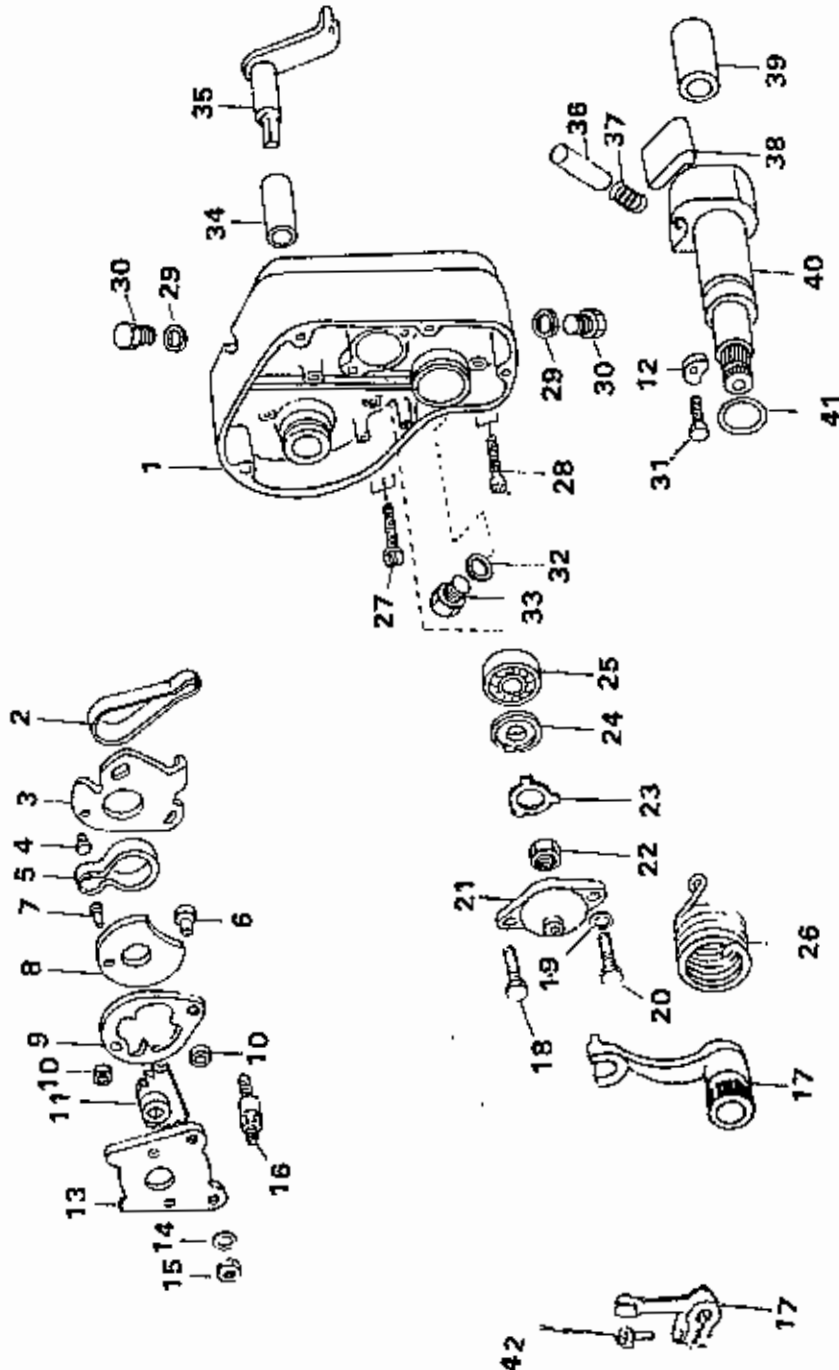


KEYNOS
ALL IN GROUPS
05-10, 05-20, 05-30
AND 02-70



KEY NEW PART/OLD PART NO. NUMBER	DESCRIPTION	QTY	MODEL	REMARKS
12 11167	OIL THROWER INNER	1	350/500 & 535 CC	
13 111760	TOP GEAR DOG	1	350/500 & 535 CC	
14 111165	MAINSHAFT	1	350/500 & 535 CC	
15 111069	SLIDING GEAR 18T/21T	1	350/500 & 535 CC	
16 111079	GEAR OPERATOR FORK	1	350/500 & 535 CC	
17 170178	GEAR OPERATOR FORK	1	350/500 & 535 CC	LEFT SHIFT GEAR BOX
17 144627	GASKET-GEAR BOX CASE JOINT (ALT.TO 110071)	1	350/500 & 535 CC	
18 140335	MAINSHAFT SLEEVE	1	350/500 & 535 CC	
19 111070	MAIN SHAFT LOW GEAR PINION 25T	1	350/500 & 535 CC	
20 140753	BEARING 6206 MAIN SHAFT	1	350/500 & 535 CC	
21 110262	OIL SEAL - GEAR BOX	1	350/500 & 535 CC	
22 140327	DISTANCE PIECE DRIVE SPROCKET	1	350/500 & 535 CC	
23 140191	NUT	1	350/500 & 535 CC	
24 111098	WASHER - GEAR OPERATING SELECTOR	1	350/500 & 535 CC	
25 111094	GEAR OPERATOR SELECTOR ASSY.	1	350/500 & 535 CC	
26 111083	GEAR OPERATOR INSIDE	1	350/500 & 535 CC	
27 110267	FINAL DRIVE SPROCKET - 16T	1	350	
27 111189	FINAL DRIVE SPROCKET - 17T	1	500	
27 144152	FINAL DRIVE SPROCKET - 18T	1	535 CC	
28 111161	LOCK WASHER - FINAL DRIVE SPROCKET	1	350/500 & 535 CC	
29 111086	FELT WASHER - DRIVE SPROCKET	1	350/500 & 535 CC	
30 111160	LOCK NUT - FINAL DRIVE SPROCKET	1	350/500 & 535 CC	
31 113048	GEAR SHIFT SHAFT	1	350/500 & 535 CC	LEFT SHIFT GEAR BOX
113085	CIRCLIP	1	350/500 & 535 CC	LEFT SHIFT GEAR BOX
143630	BUSH	2	350/500 & 535 CC	LEFT SHIFT GEAR BOX

05-20 GEAR BOX END COVER

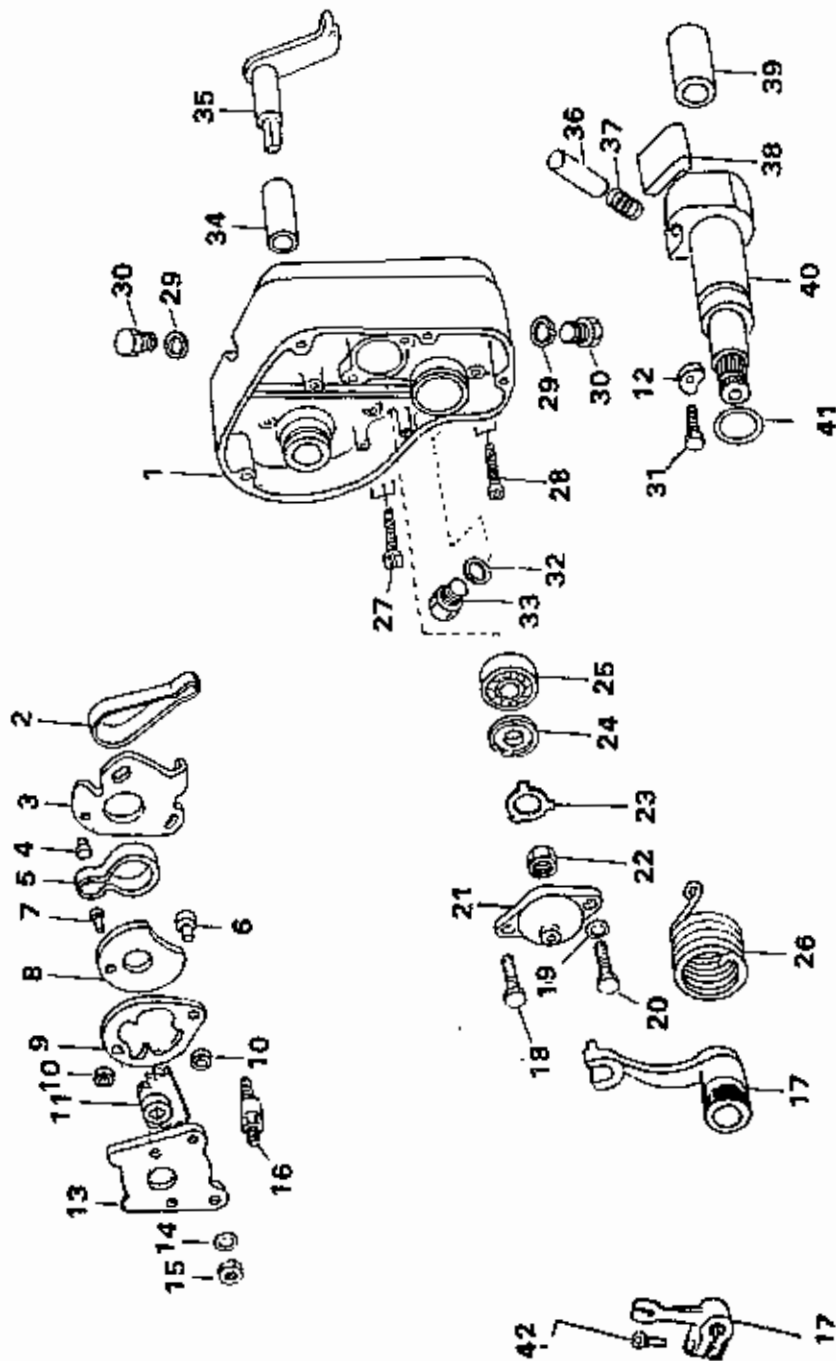


A1	KEY NOS	3,4
A2	KEY NOS	5, 7, 8, 9, 10
A3	KEY NOS	36, 37, 38, 39, 40



KEY/NEW PART/OLD PART	DESCRIPTION	QTY	MODEL	REMARKS
NO. NUMBER	NUMBER			
A1	111109		350/500 & 535 CC	
				FOOT CONTROL ADJUSTER PLATE ASSY
A2	111114	1	350/500 & 535 CC	
				FOOT CONTROL RATCHET OUTER ASSY.
A3	111152	1	350/500 & 535 CC	
				FOOT STARTER SPINDLE ASSY
1	114454	1	350/500 & 535 CC	RIGHT SHIFT GEAR
				END COVER - GEAR BOX
	113032	1	350/500 & 535 CC	LEFT SHIFT GEAR BOX
				END COVER, GEAR BOX
2	140755	1	350/500 & 535 CC	
				FOOT CONTROL LEVER RETURN SPRING
3	111108	1	350/500 & 535 CC	
				FOOT CONTROL ADJUSTER PLATE
4	111110	1	350/500 & 535 CC	
				PIN FOOT CONTROL ADJUSTER PLATE SPRING STOP
5	111113	1	350/500 & 535 CC	
				FOOT CONTROL RATCHET SPRING
6	111119	1	350/500 & 535 CC	
				FOOT CONTROL RATCHET OPERATING PIN
7	111117	1	350/500 & 535 CC	
				PIN FOOT CONTROL PLATE SPRING STOP
8	111116	1	350/500 & 535 CC	
				FOOT CONTROL PLATE
9	111115	1	350/500 & 535 CC	
				FOOT CONTROL RATCHET OUTER ONLY
10	111118	2	350/500 & 535 CC	
				FOOT CONTROL PLATE PIN BUSH
11	110253	1	350/500 & 535 CC	
				RATCHET INNER
12	142257	1	350/500 & 535 CC	
				STOP PLATE - FOOT STARTER PAWL
13	111120	1	350/500 & 535 CC	
				FOOT CONTROL STOP PLATE
14	150209	2	350/500 & 535 CC	
				WASHER, FOOT-CNTRL STOP PLATE- GEAR BOX
15	140369	2	350/500 & 535 CC	
				NUT
16	111159	2	350/500 & 535 CC	
				FOOT CONTROL ADJUSTER PLATE PIN
17	110283	1	350/500 & 535 CC	RIGHT SHIFT GEAR
				FOOT CONTROL LEVER SHORT
17	113042	1	350/500 & 535 CC	LEFT SHIFT GEAR BOX
				FOOT CONTROL LEVER SHORT
18	111102	1	350/500 & 535 CC	
				BOLT - MAIN SHAFT - BALL BEARING CAP
19	140083	1	350/500 & 535 CC	
				STUD WASHER
20	111103	1	350/500 & 535 CC	
				BOLT - MAIN SHAFT - BALL BEARING CAP
21	111168	1	350/500 & 535 CC	
				CAP - MAIN SHAFT BALL BEARING
22	111093	1	350/500 & 535 CC	
				NUT - L H THREAD - GEAR BOX END COVER
23	111092	1	350/500 & 535 CC	
				TAB WASHER - NUT - GEAR BOX END COVER

05-20 GEAR BOX END COVER



A3

KEY NOS
36, 37, 38, 39, 40

A2

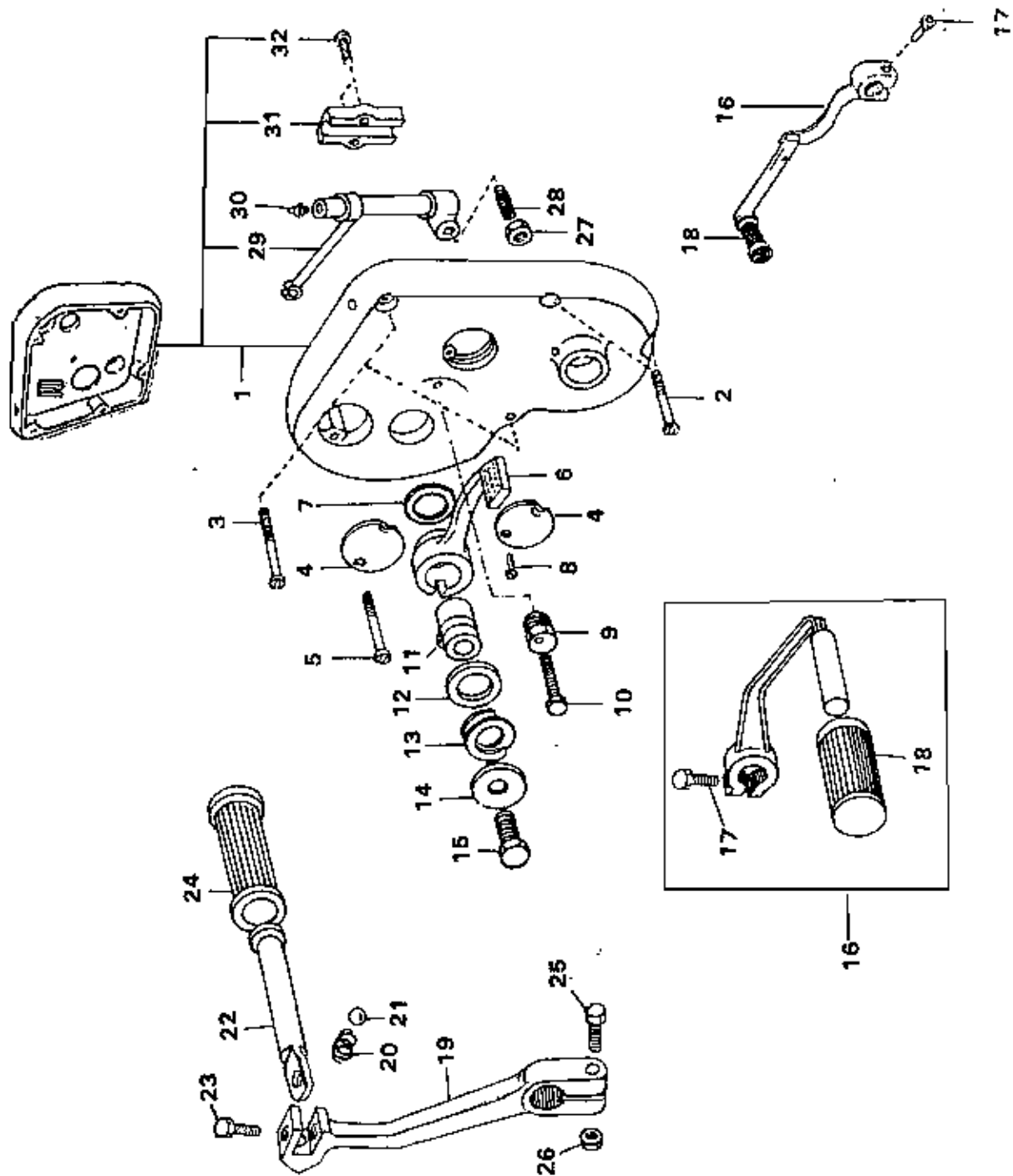
KEY NOS
6, 7, 8, 9, 10

A1

KEY NOS
3, 4



05-30 FOOT CONTROL

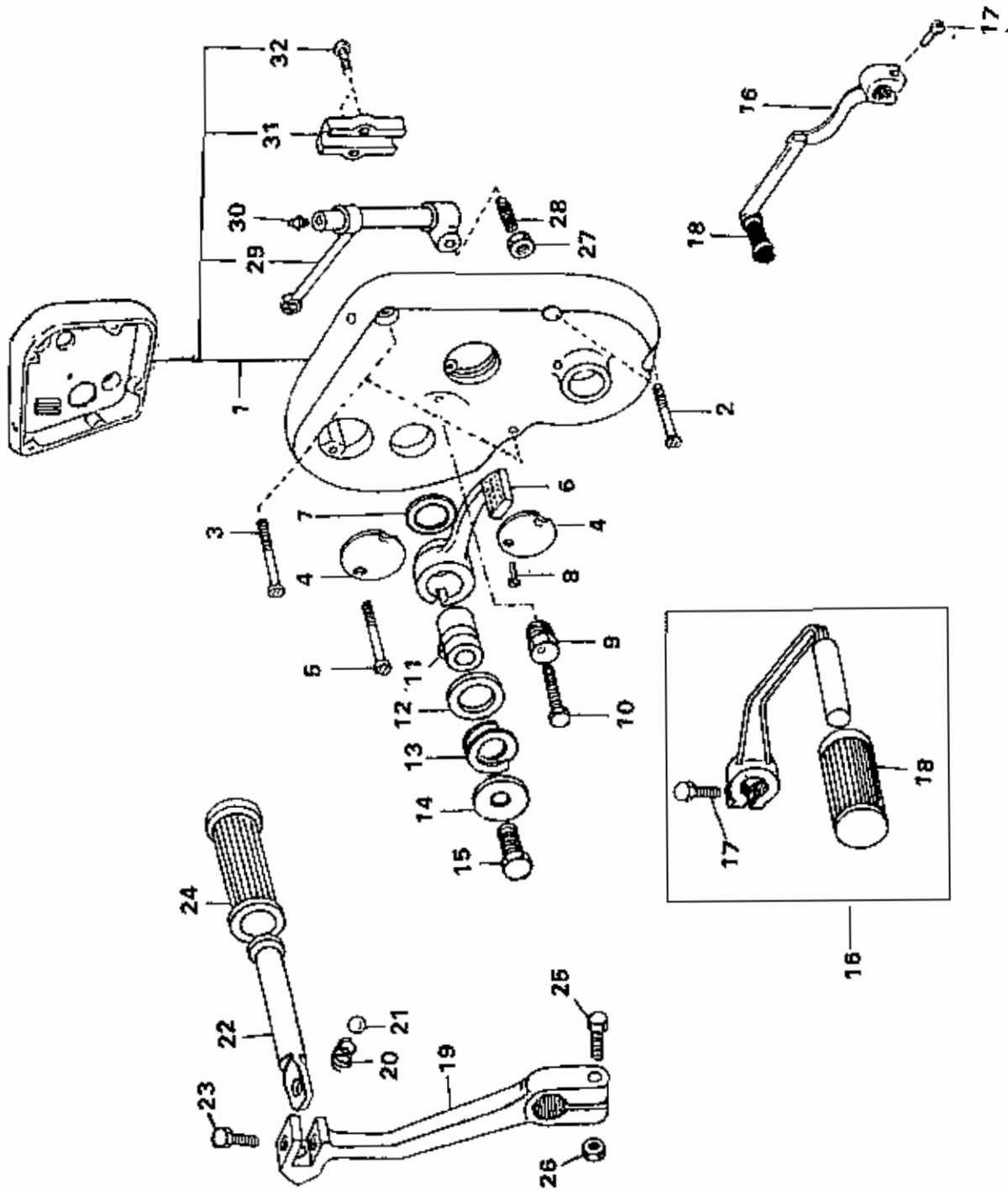


A1

KEY NOS
19 TO 25

KEY	NEW PART/OLD PART	DESCRIPTION	QTY	MODEL	REMARKS
NO.	NUMBER				
A1	112024	KICK STARTER CRANK CW BOLT & NUT	1	350/500 & 535 CC	
1	111122	FOOT CONTROL COVER CW LEVER	1	350 & 500	
2	113040	FOOT CONTROL COVER	1	350 & 500	LEFT SHIFT GEAR BOX
3	111054	GEAR BOX COVER SCREW	2	350 & 500	
4	111132	SCREW (LONG) - FOOT CONTROL COVER	2	350 & 500	
5	111128	CLUTCH INSPECTION CAP	2	350 & 500	
6	142282	INSPECTION CAP PIN LONG	2	350 & 500	
7	110255	NEUTRAL LEVER	1	350 & 500	
8	111196	GEAR INDICATOR WASHER	1	350 & 500	
9	111129	INSPECTION CAP PIN SHORT	1	350 & 500	
10	111107	NEUTRAL LEVER ECCENTRIC BUSH	1	350 & 500	
11	111103	PIN - MAIN SHAFT - BALL BEARING CAP	1	350 & 500	
12	111104	GEAR INDICATOR	1	350 & 500	
13	113041	GEAR INDICATOR	1	350 & 500	LEFT SHIFT GEAR BOX
14	110258	NEUTRAL LEVER SPRING WASHER	1	350 & 500	
15	110256	NEUTRAL LEVER SPRING	1	350 & 500	
16	110257	NEUTRAL LEVER SPRING CAP	1	350 & 500	
17	111105	NEUTRAL LEVER SECURING PIN	1	350 & 500	
18	143475	FOOT CHANGE LEVER	1	350 & 500	
19	113073	GEAR CHANGE LEVER ASSY. PLATED	1	350 & 500	LEFT SHIFT GEAR BOX
20	142291	BOLT FOOT CHANGE LEVER	1	350 & 500	RIGHT SHIFT GEAR
21	113086	BOLT FOOT CHANGE LEVER	1	350 & 500	LEFT SHIFT GEAR BOX
22	110203	RUBBER - (GEAR LEVER/SIDE STAND)	1	350 & 500	
23	143200	KICK STARTER CRANK	1	350 & 500	
24	151592	KICK STARTER PEDAL SPRING	1	350 & 500	
25	140201	BALL 1/4" - KICK STARTER	1	350 & 500	
26	112020	KICK STARTER PEDAL	1	350 & 500	
27	143199	KICK STARTER PEDAL PIVOT PIN	1	350 & 500	(ALT 143199)

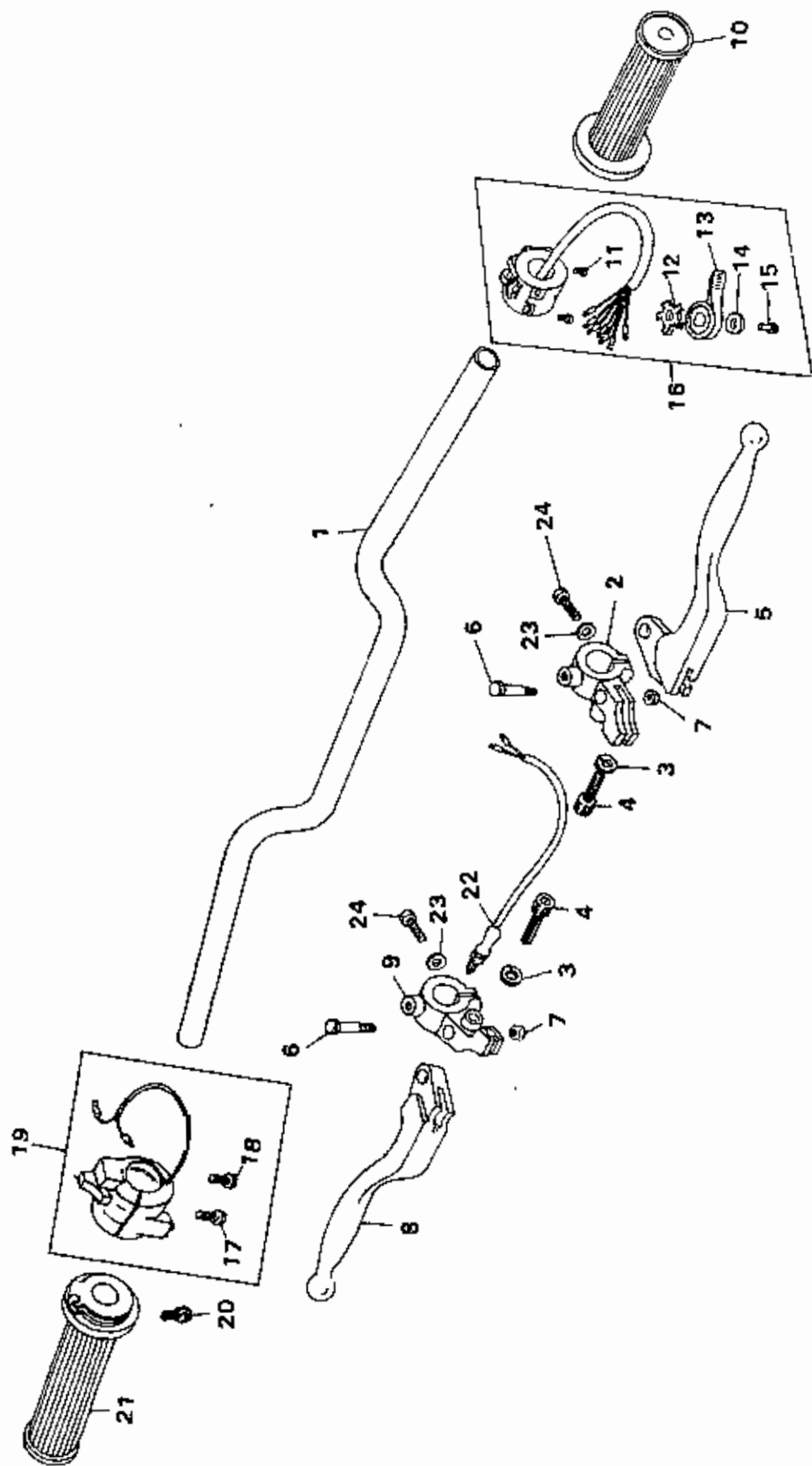
05-30 FOOT CONTROL



A1
KEY NOS
19 TO 26



06-10 HANDLE BAR AND CONTROLS



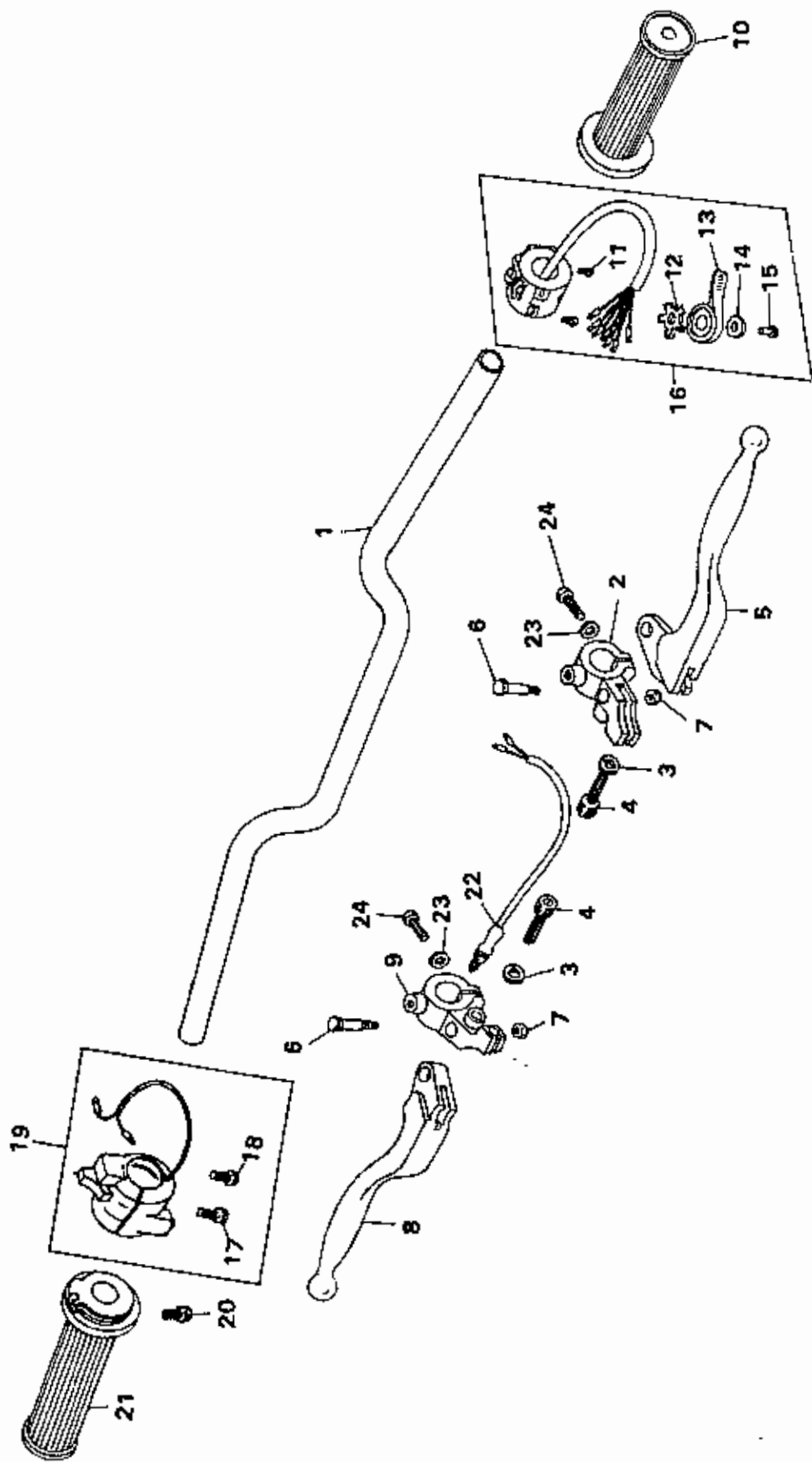
A2	KEY NO
	3, 4, 6, 7, 8, 9, 22, 23, 24

A1	KEY NO
	2, 3, 4, 5, 6, 7, 23, 24



KEY	NEW PART	NO.	PART	DESCRIPTION	QTY	MODEL	REMARKS
NO.	NUMBER	NUMBER					
A1	170108	143331		CLUTCH CONTROL COMPLETE	1	350/500 & 535 CC	FOR ALL MODELS AFTER JUNE99
A2	170109	143347		FRONT BRAKE CONTROL COMPLETE	1	350 & 500	ONLY FOR REGULAR BEFORE JUNE 99
	123790			FRONT BRAKE CONTROL COMPLETE	1	350/500 & 535 CC	FOR ALL MODELS AFTER JUNE99
1	110119			HANDLE BAR (RAISED)	1	350/500 & 535 CC	
	170278	143332		HANDLE BAR BEND (LOW)	1	350/500 & 535 CC	
2				CLUTCH LEVER BRACKET	1	350/500 & 535 CC	FOR ALL MODELS AFTER JUNE99
	170272			CLUTCH LEVER BRACKET	1	350 & 500	ONLY FOR REGULAR
3				CABLE ADJUSTING SCREW LOCK NUT	1	350/500 & 535 CC	FOR ALL MODELS AFTER JUNE99
	170281	143335		CABLE ADJUSTING SCREW LOCK NUT	-2	350 & 500	ONLY FOR REGULAR
				CABLE ADJUSTING SCREW	1	350/500 & 535 CC	FOR ALL MODELS AFTER JUNE99
4		143334		CABLE ADJUSTING SCREW	2	350 & 500	ONLY FOR REGULAR
	170279			CLUTCH LEVER	1	350/500 & 535 CC	FOR ALL MODELS AFTER JUNE99
5		143333		CLUTCH LEVER	1	350 & 500	ONLY FOR REGULAR
	170280			CLUTCH LEVER FIXING SCREW	1	350/500 & 535 CC	FOR ALL MODELS AFTER JUNE99
6		143336		CLUTCH LEVER FIXING SCREW	2	350 & 500	ONLY FOR REGULAR
	170285			CLUTCH LEVER FIXING SCREW LOCKNUT	1	350/500 & 535 CC	FOR ALL MODELS AFTER JUNE99
7		143337		CLUTCH LEVER FIXING SCREW LOCKNUT	2	350 & 500	ONLY FOR REGULAR
	170452			FRONT BRAKE LEVER	1	350/500 & 535 CC	FOR ALL MODELS AFTER JUNE99
8		143349		FRONT BRAKE LEVER	1	350 & 500	ONLY FOR REGULAR
	170286			FRONT BRAKE LEVER BRACKET	1	350/500 & 535 CC	FOR ALL MODELS AFTER JUNE99
9		143348		FRONT BRAKE LEVER BRACKET	1	350 & 500	ONLY FOR REGULAR
10	143355			DUMMY GRIP	1	350/500 & 535 CC	
11	143342			SWITCH MODULE FIXING SCREW	2	350/500 & 535 CC	
12	143344			DECOMPRESSOR LEVER WASHER	1	350/500 & 535 CC	
13	143343			DECOMPRESSOR LEVER	1	350/500 & 535 CC	
14	143346			DECOMPRESSOR LEVER FIXING SCREW WASHER	1	350/500 & 535 CC	
15	143345			DECOMPRESSOR LEVER FIXING SCREW	1	350/500 & 535 CC	

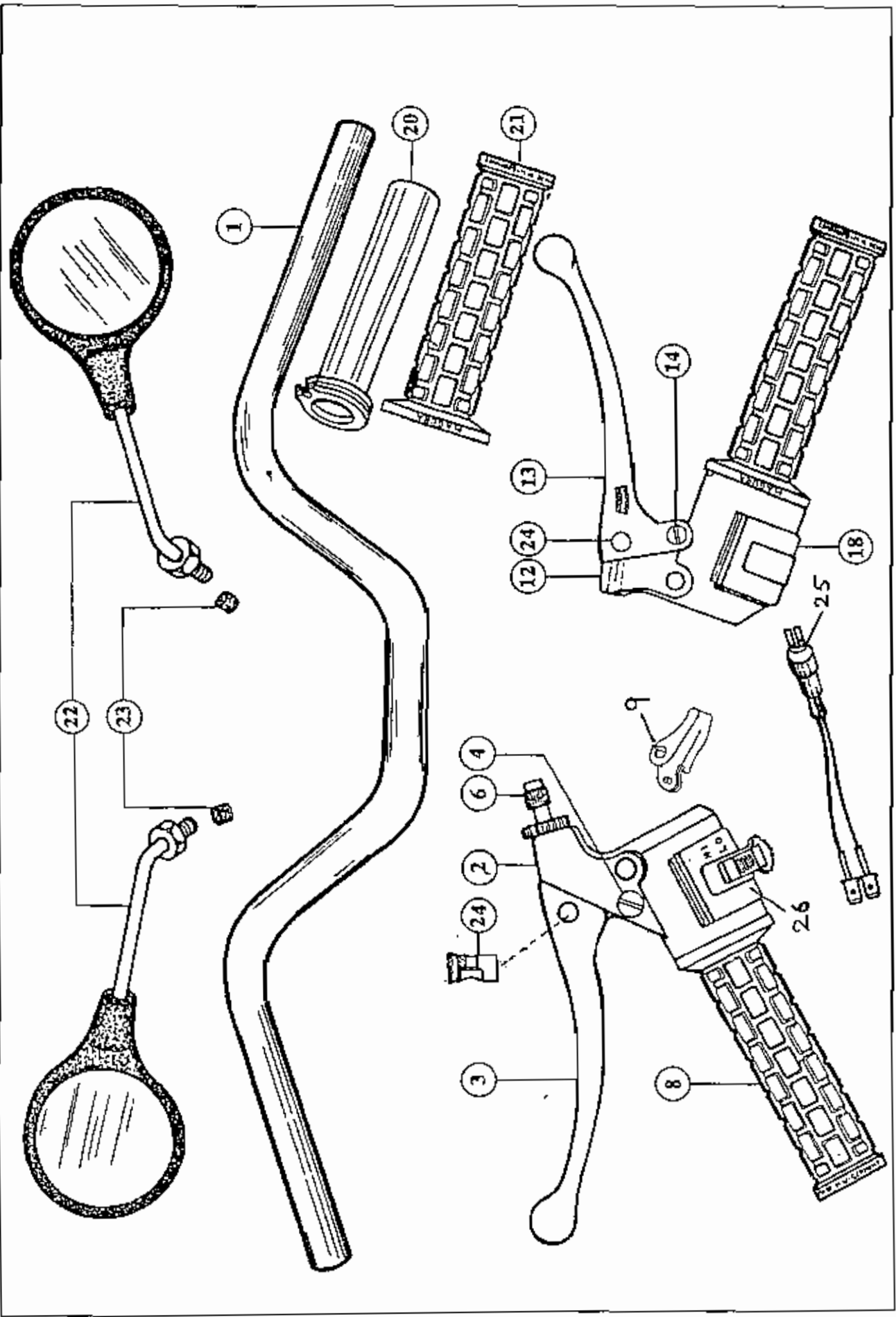
06-10 HANDLE BAR AND CONTROLS



A1	KEY NO 2, 3, 4, 5, 6, 7, 23, 24
A2	KEY NO 3, 4, 6, 7, 8, 9, 22, 23, 24



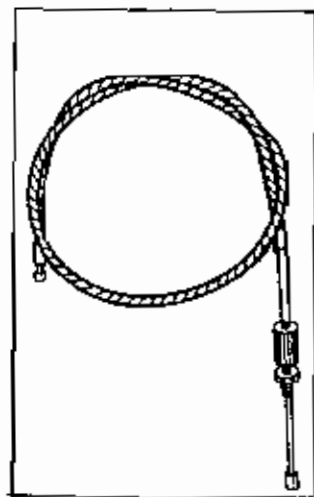
06-10 HANDLE BAR AND CONTROLS



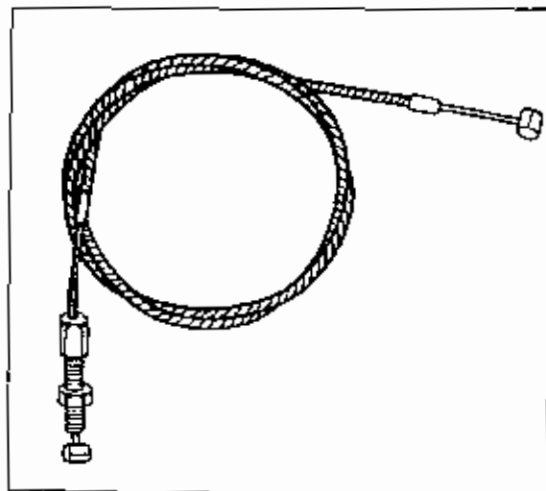
KEY/NEW PART/OLD PART		DESCRIPTION	QTY	MODEL	REMARKS
NO. NUMBER	NUMBER			350/500 & 535 CC	
A1	141743	CLUTCH BRKT C/W LEVER, ADJUSTER	1	350 & 500	
A2	141696	FT. BR. BRKT C/W LEVER, ADJUSTER	1	350 & 500	
2	141670	CLUTCH LEVER BRACKET (NS)	1	350 & 500	
3	141671	CLUTCH LEVER (NOT SERVICEABLE SEPARATELY)	1	350 & 500	
4	141672	FIXING SCREW CLUTCH LEVER (NOT SERVICEABLE)	1	350 & 500	
5	141673	NUT FOR ABOVE FIXING SCREW (NOT SERVICEABLE)	1	350 & 500	
6	141674	ADJUSTER SCREW & NUT - (NOT SERVICEABLE)	1	350 & 500	
7	141676	MOUNTING SCREW - CLUTCH LEVER BRACKET (NS)	1	350 & 500	
8	141744	HAND GRIP - LH	1	350 & 500	
9	141688	DECOMPRESSOR LEVER	1	350 & 500	
10	141689	DECOMPRESSOR BRACKET	1	350 & 500	
11	141761	SCREW - SWITCH MOUNTING (E) (MAG) (NS)	1	350 & 500	
12	141677	FRONT BRAKE LEVER BRACKET (NS)	1	350 & 500	
13	141678	FRONT BRAKE LEVER (NOT SERVICEABLE SEPARATELY)	1	350 & 500	
14	141679	FIXING SCREW (NOT SERVICEABLE)	1	350 & 500	
15	141680	NUT FOR ABOVE FIXING SCREW (NOT SERVICEABLE)	1	350 & 500	
16	141681	SPRING - FRONT BRAKE LEVER (NOT SERVICEABLE)	1	350 & 500	
17	141682	MOUNTING SCREW-FRONT BRAKE LEVER BRACKET	1	350 & 500	
18	141693	DUMMY COVER - (NOT SERVICEABLE)	1	350 & 500	
19	141684	SCREW - FOR FIXING DUMMY COVER (NOT SERVICEABLE)	1	350 & 500	
20	141685	TWIST GRIP ROTOR WITH GRIP	1	350 & 500	
21	141687	HAND GRIP - RH (NOT SERVICEABLE SEPARATELY)	1	350 & 500	
	144575	REAR VIEW MIRROR	2	350 & 500	
22	142529	REAR VIEW MIRROR	2	350 & 500	
23	142568	SPACER - REAR VIEW MIRROR	2	350 & 500	
24	141752	BUSH FOR CABLE NIPPLE (E)	2	350 & 500	
25	141892	SWITCH - FRONT BR. LIGHT (E)	1	350 & 500	
26	143506	SWITCH MODULE - HORN/DIPPER/TRAFFICATOR	1	350 & 500	
26	143673	SWITCH MODULE - HORN/DIPPER/TRAFFICATOR	1	350 & 500	

FOR EUROPE/USA/JAPAN BIKES BEFORE
JUNE 99

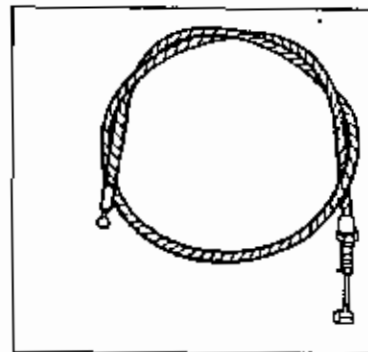
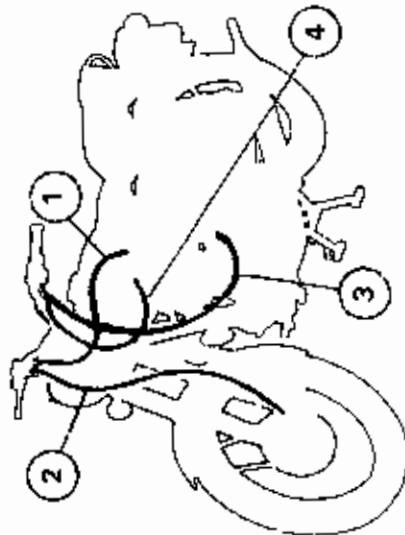
06-20 CONTROL CABLES



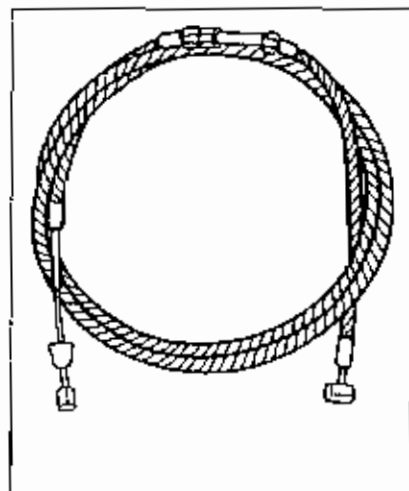
1



2

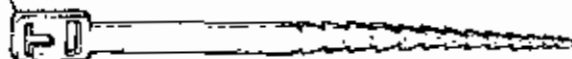


4

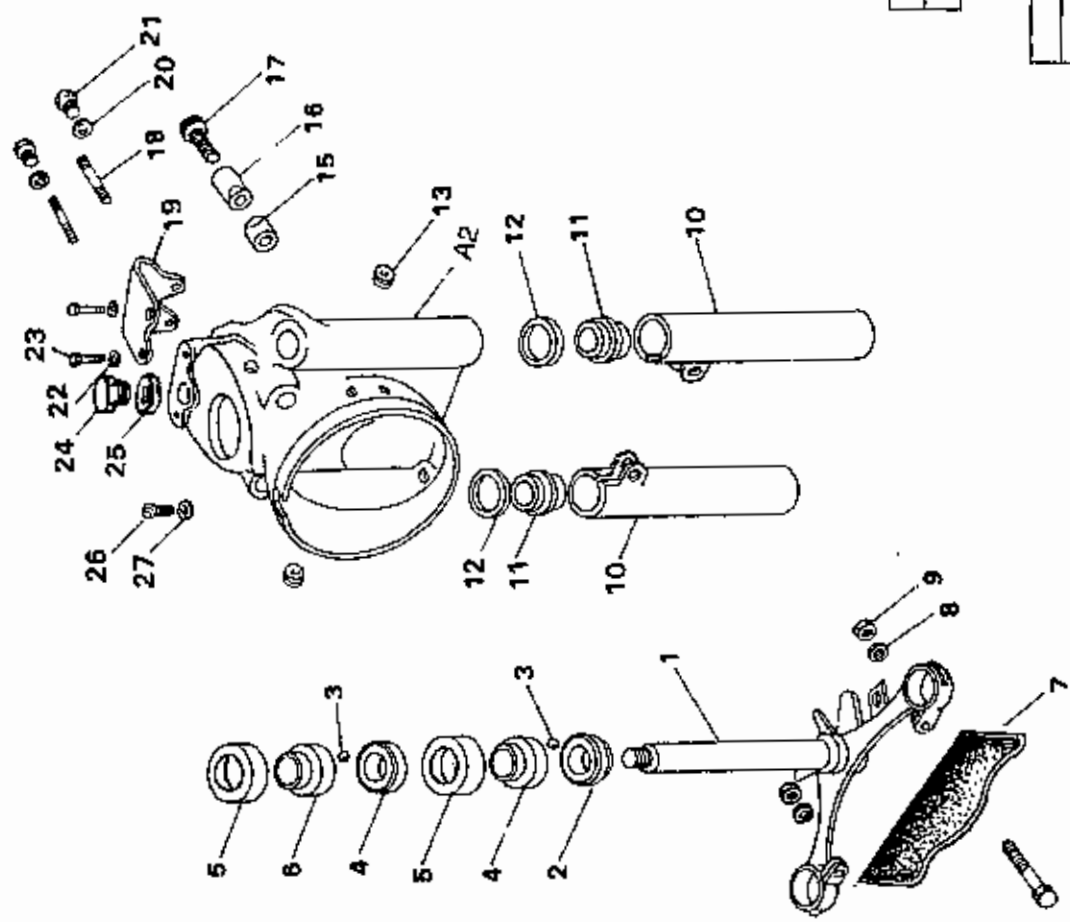
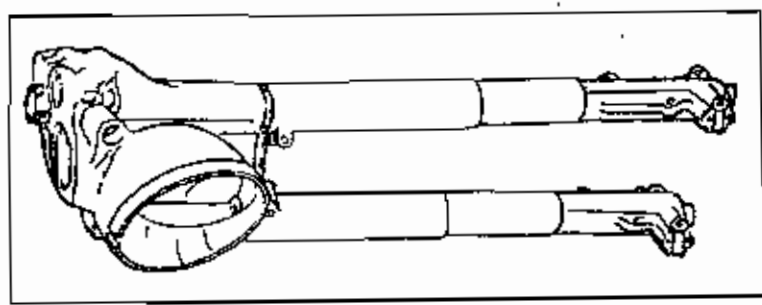


3

5,6



07-10 HEADLAMP CASING



A1

KEY NOS.
ALL IN GROUPS 07-10 EXCEPT 4, 5 (1 NO), 7, 19, 20, 21, 22, 23 AND ALL IN GROUP IN 07-20

28

A2

KEY NOS
5 (1 NO), 6, 18

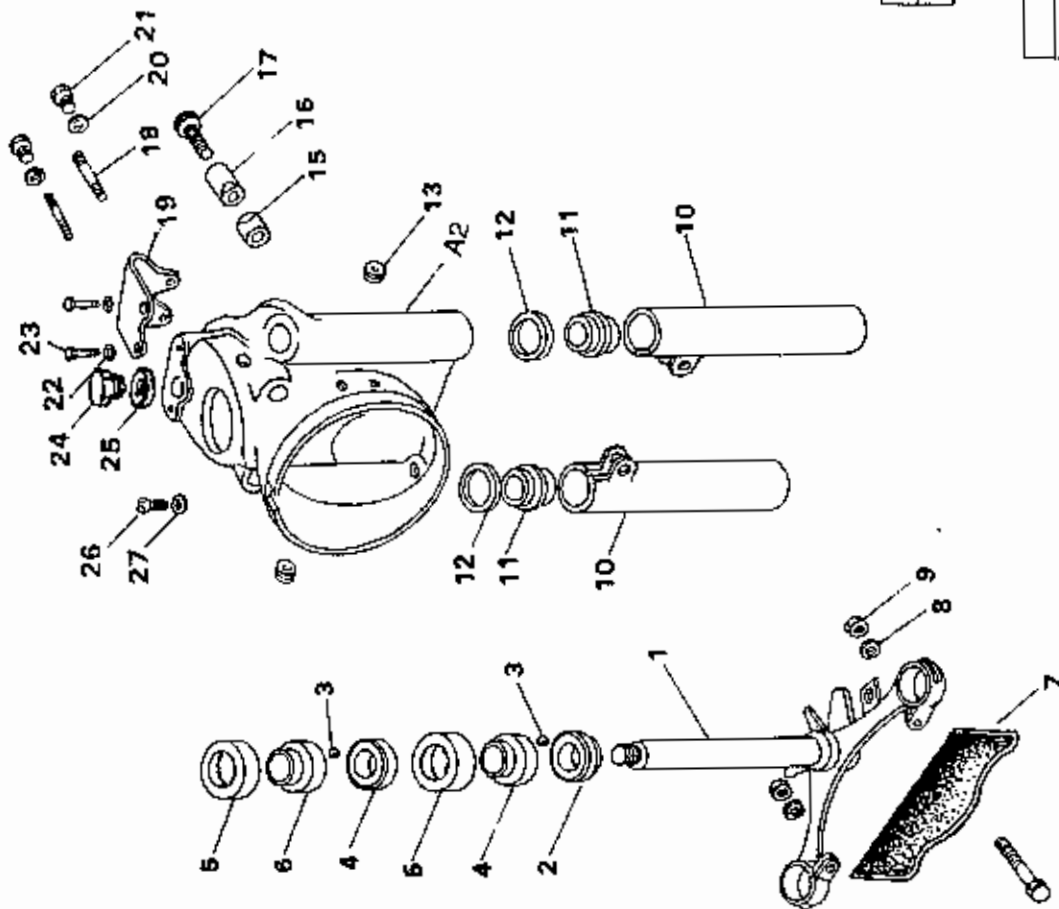
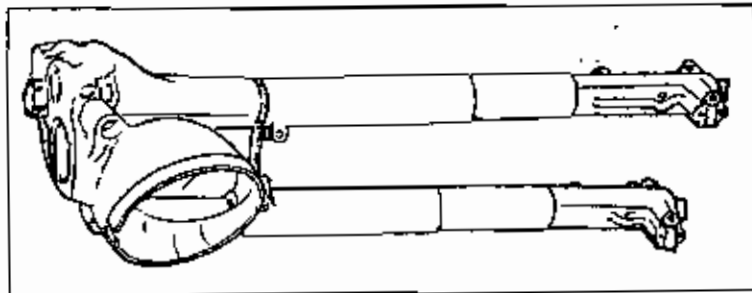
A3

KEY NOS
2, 3 (38 NOS), 4, 6



KEY	NEW PART NO.	OLD PART NO.	DESCRIPTION	QTY	MODEL	REMARKS
A1					350/500 & 535 CC	
	142872		FRONT FORK ASSY C/W. STEERING STEM	1	500	NOT IN SUPPLY TILL FURTHER ADVICE
	142517		HL CASING C/W BALL RACE & HANDLE BAR STUDS	1	350 & 500	DUE TO CHANGE IN COLOUR PART NOS
	801124		HEAD LAMP CASING BLACK	1	350/ 500 & 535 CC	
A2	802019		HEAD LAMP CASING RED	1	350/ 500 & 535 CC	
	803012		HEAD LAMP CASING BLUE	1	350/ 500 & 535 CC	
	806013		HEAD LAMP CASING ATHENA GREY	1	350/ 500 & 535 CC	
	811015		HEAD LAMP CASING VELVET GREEN	1	350/ 500 & 535 CC	
A3	597010	112076	BALL RACES KIT (STEERING)	1	350/ 500 & 535 CC	
	144748		STEERING STEM C/W FIXED FITTINGS	1	350/ 500 & 535 CC	
1		142622	STEERING STEM C/W FIXED FITTINGS	1	350/ 500 & 535 CC	FOR BIKES PRODUCED AFTER JUNE 99
2	144581	122107	FRONT FORK CROWN BALL RACE	1	350/ 500 & 535 CC	
3	1440201		BALL 1/4"	38	350/ 500 & 535 CC	
4	144587	122105	HEAD TUBE BALL RACE	2	350/ 500 & 535 CC	
5	140200		COVER-BALL RACE	2	350/ 500 & 535 CC	
6	110127		HEADLAMP CASING BALL RACE	1	350/ 500 & 535 CC	
	801114		FRONT FORK CROWN COVER PLATE BLACK	1	350/ 500 & 535 CC	
	806023		FRONT FORK CROWN COVER PLATE ATHENA GREY	1	350/ 500 & 535 CC	
7	811028		FRONT FORK CROWN COVER PLATE VELVET GREEN	1	350/ 500 & 535 CC	
	802040		FRONT FORK CROWN COVER PLATE RED	1	350/ 500 & 535 CC	
	803033		FRONT FORK CROWN COVER PLATE BLUE	1	350/ 500 & 535 CC	
	142762		FRONT FORK CROWN COVER PLATE	1	350/ 500 & 535 CC	
8	140080		STUD WASHER	2	350/ 500 & 535 CC	
9	142182		NUT NYLOCK - FT. FORK CROWN CLAMP BOLT	2	350/ 500 & 535 CC	
	801006		COVER TUBE-FRONT FORK BLACK	2	350/ 500 & 535 CC	
	802002		COVER TUBE-FRONT FORK RED	2	350/ 500 & 535 CC	
	803002		COVER TUBE-FRONT FORK BLUE	2	350/ 500 & 535 CC	
10	806002		COVER TUBE-FRONT FORK ATHENA GREY	2	350/ 500 & 535 CC	
	811001		COVER TUBE-FRONT FORK VELVET GREEN	2	350/ 500 & 535 CC	
	1124563		COVER TUBE-FRONT FORK	2	350/ 500 & 535 CC	

07-10 HEADLAMP CASING



A1

KEY NOS.
 ALL IN GROUPS 07-10
 EXCEPT 4, 5 (1 NO), 7,
 19, 20, 21, 22, 23 AND
 ALL IN GROUP IN 07-20

28

A2

KEY NOS.
 5 (1 NO), 5, 18

A3

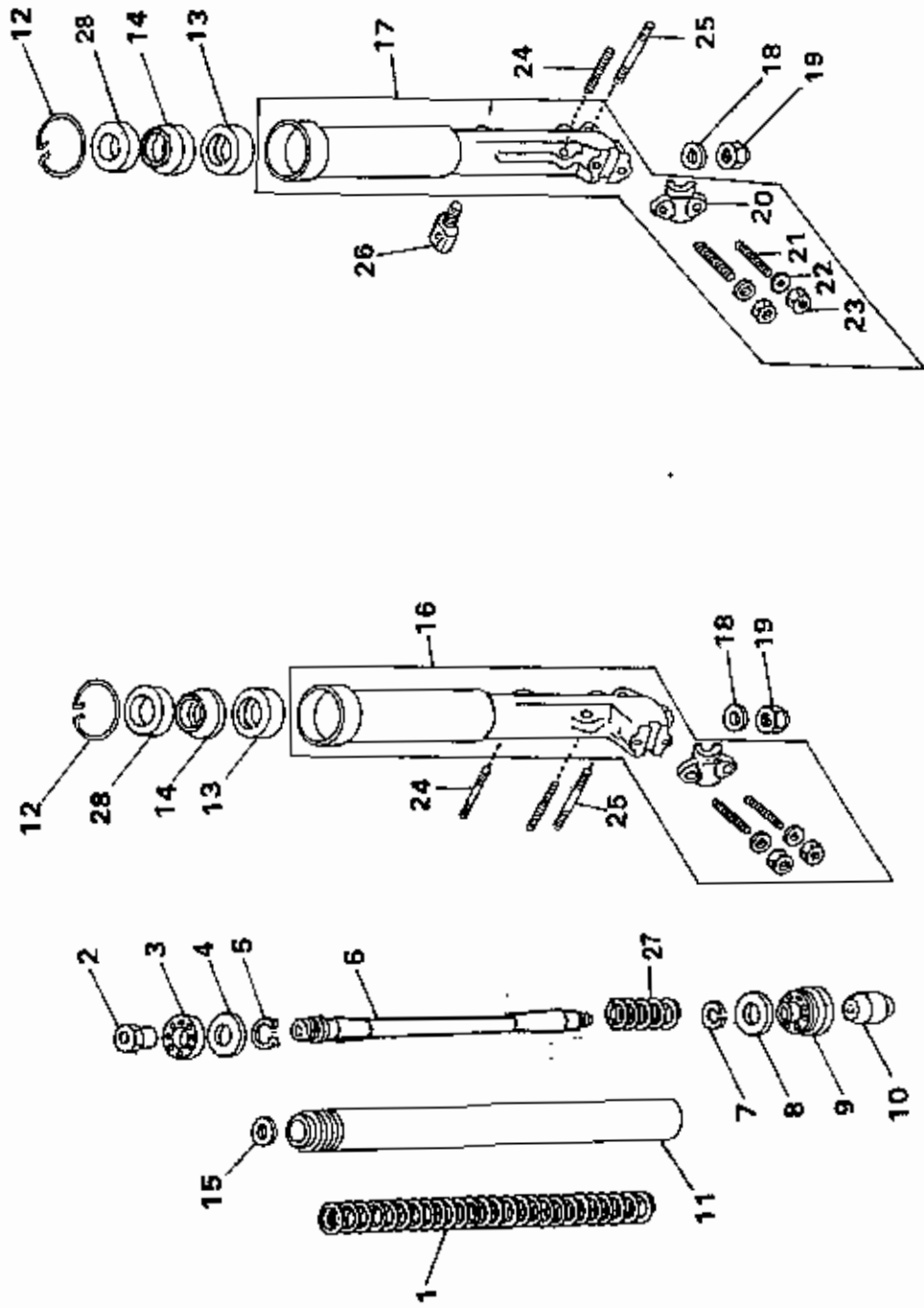
KEY NOS.
 2, 3 (38 NOS), 4, 5



07-20 BOTTOM AND MAIN TUBE

A1

KEY NOS
13, 14, 28

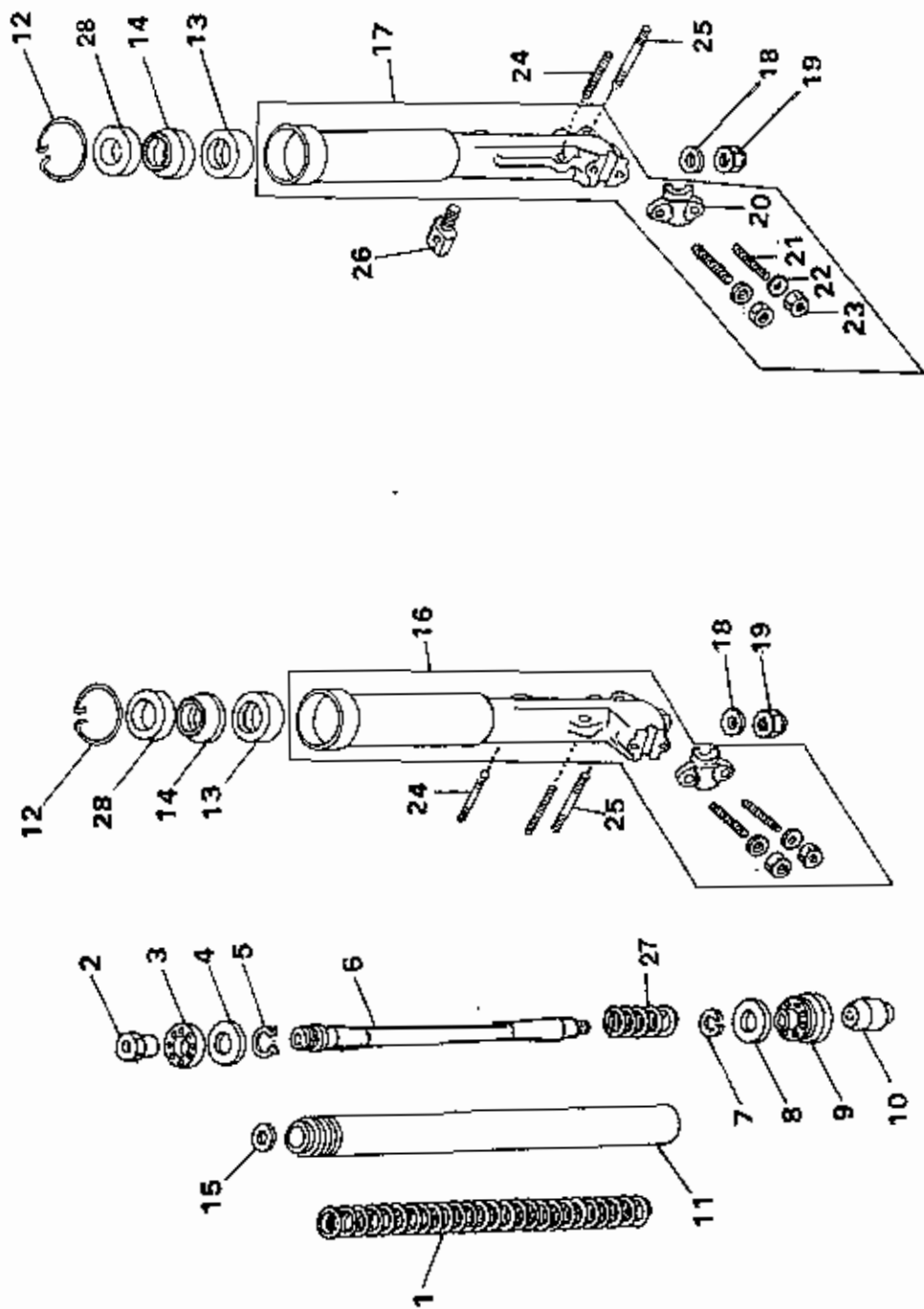


KEY NEW PART OLD PART	DESCRIPTION	QTY	MODEL	REMARKS
NO. NUMBER	NUMBER		350/500 & 535 CC	
A1 144294	5122013140	2	350/500 & 535 CC	
A2	142870	1	350/500 & 535 CC	NOT SERVICEABLE ANYMORE EFFECTIVE JULY 99
A3	142869	1	350/500 & 535 CC	FOR BIKES PRODUCED BEFORE MAY 99
	143899	2	350	FOR BIKES PRODUCED BEFORE MAY 99
1	142867	2	500	FOR BIKES PRODUCED BEFORE MAY 99
	144219	2	350/500 & 535 CC	FOR BIKES PRODUCED BEFORE MAY 99
2	141414	2	350/500 & 535 CC	FOR BIKES PRODUCED AFTER MAY 99
3	142868	2	350	FOR BIKES PRODUCED BEFORE MAY 99
4	140184	2	350/500 & 535 CC	
5	140185	2	350/500 & 535 CC	
6	141428	2	350/500 & 535 CC	
7	141417	2	350/500 & 535 CC	
8	140219	2	350/500 & 535 CC	
9	124346	2	350/500 & 535 CC	
10	141421	2	350/500 & 535 CC	
11	141419	2	350	FOR BIKES PRODUCED BEFORE MAY 99
12	144472	2	350/500 & 535 CC	FOR BIKES PRODUCED AFTER MAY 99
13	144468	2	350/500 & 535 CC	
14	144470	4	350/500 & 535 CC	
15	140338	4	350/500 & 535 CC	
16	124339	2	350/500 & 535 CC	
17	124341	1	350/500 & 535 CC	
18	144601	1	350/500 & 535 CC	
	140128	2	350/500 & 535 CC	FOR BIKES PRODUCED BEFORE MAY 99
19	140186	2	350/500 & 535 CC	
20	110121	2	350/500 & 535 CC	

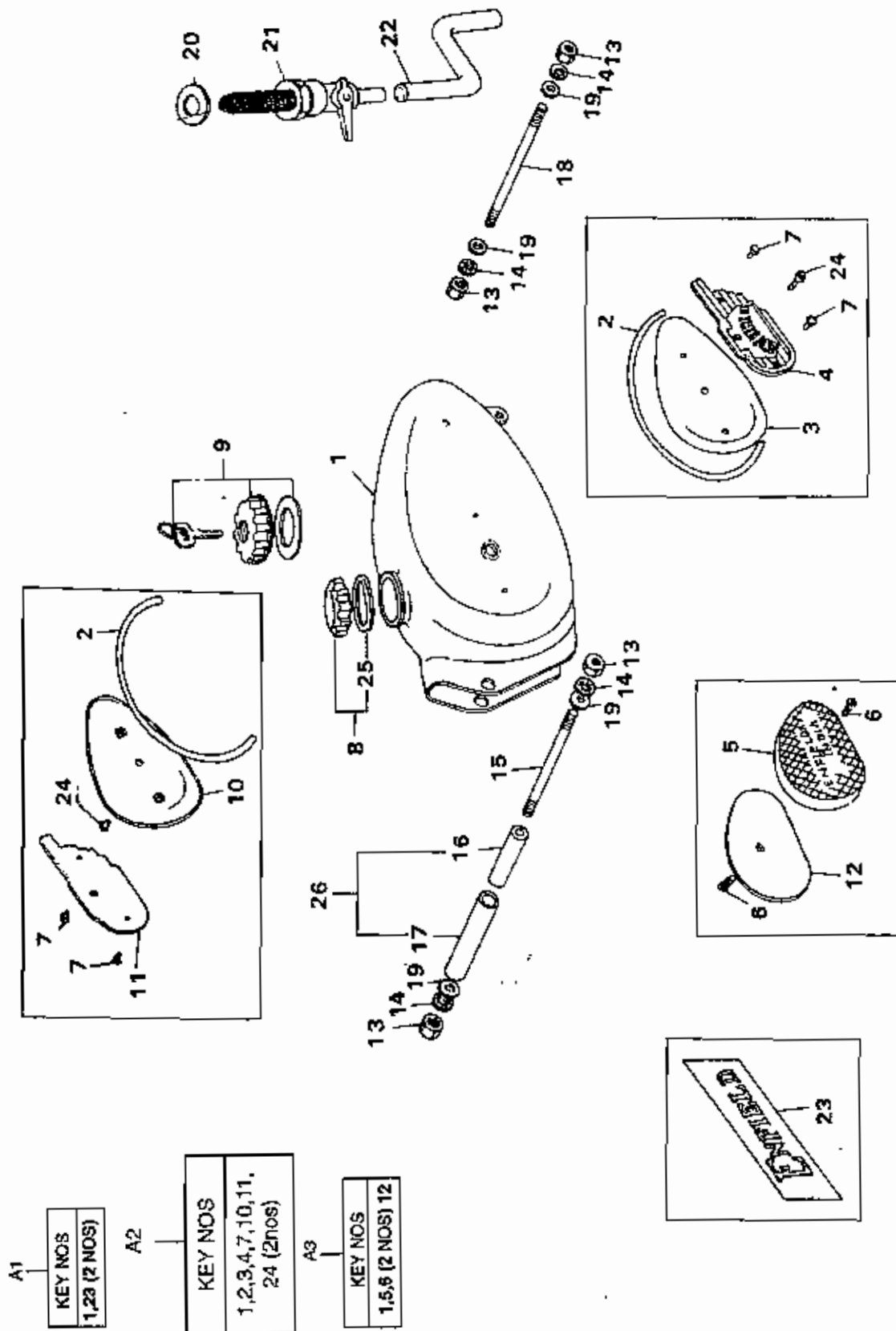
07-20 BOTTOM AND MAIN TUBE

A1

KEY NOS
13, 14, 28

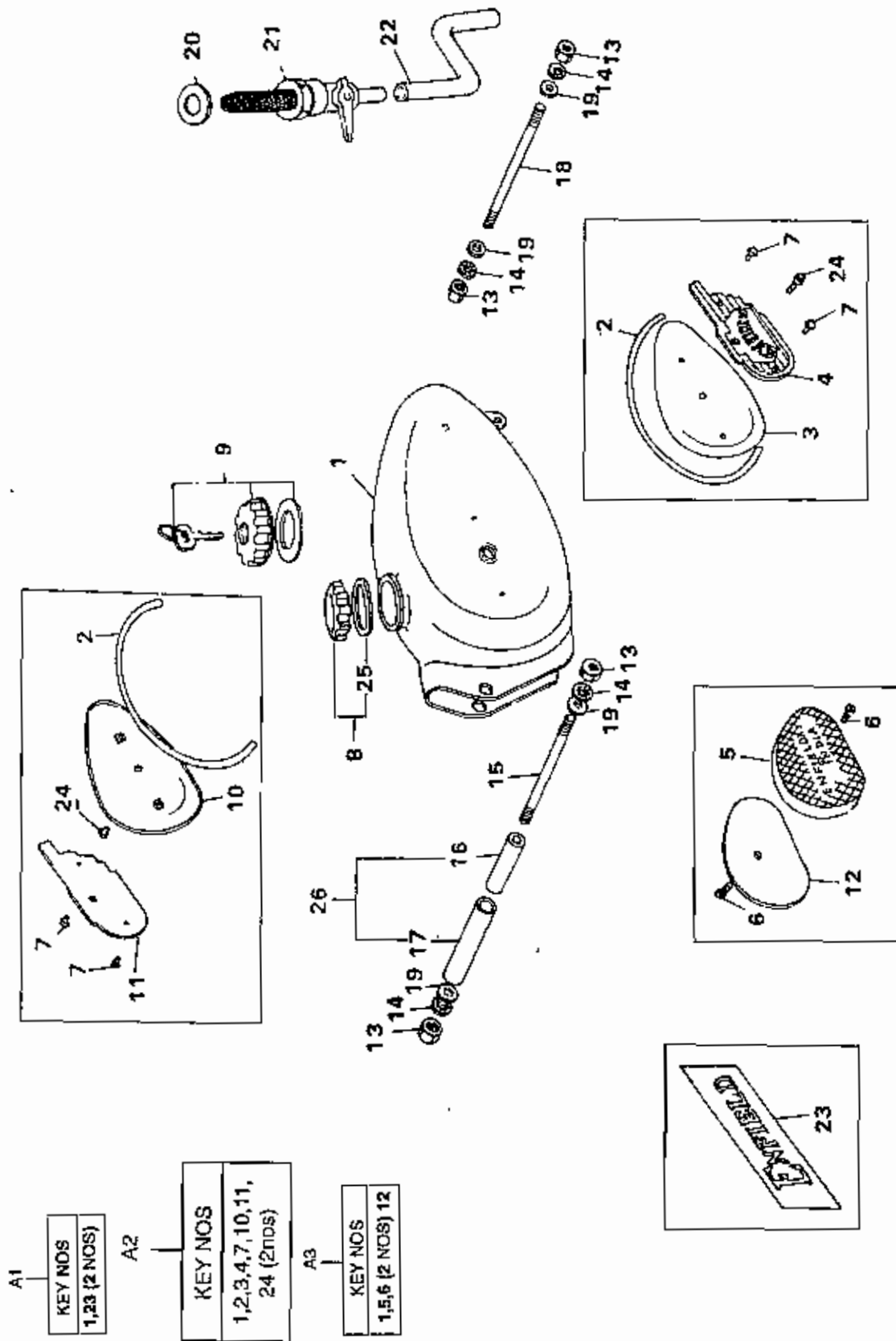


08-10 FUEL TANK



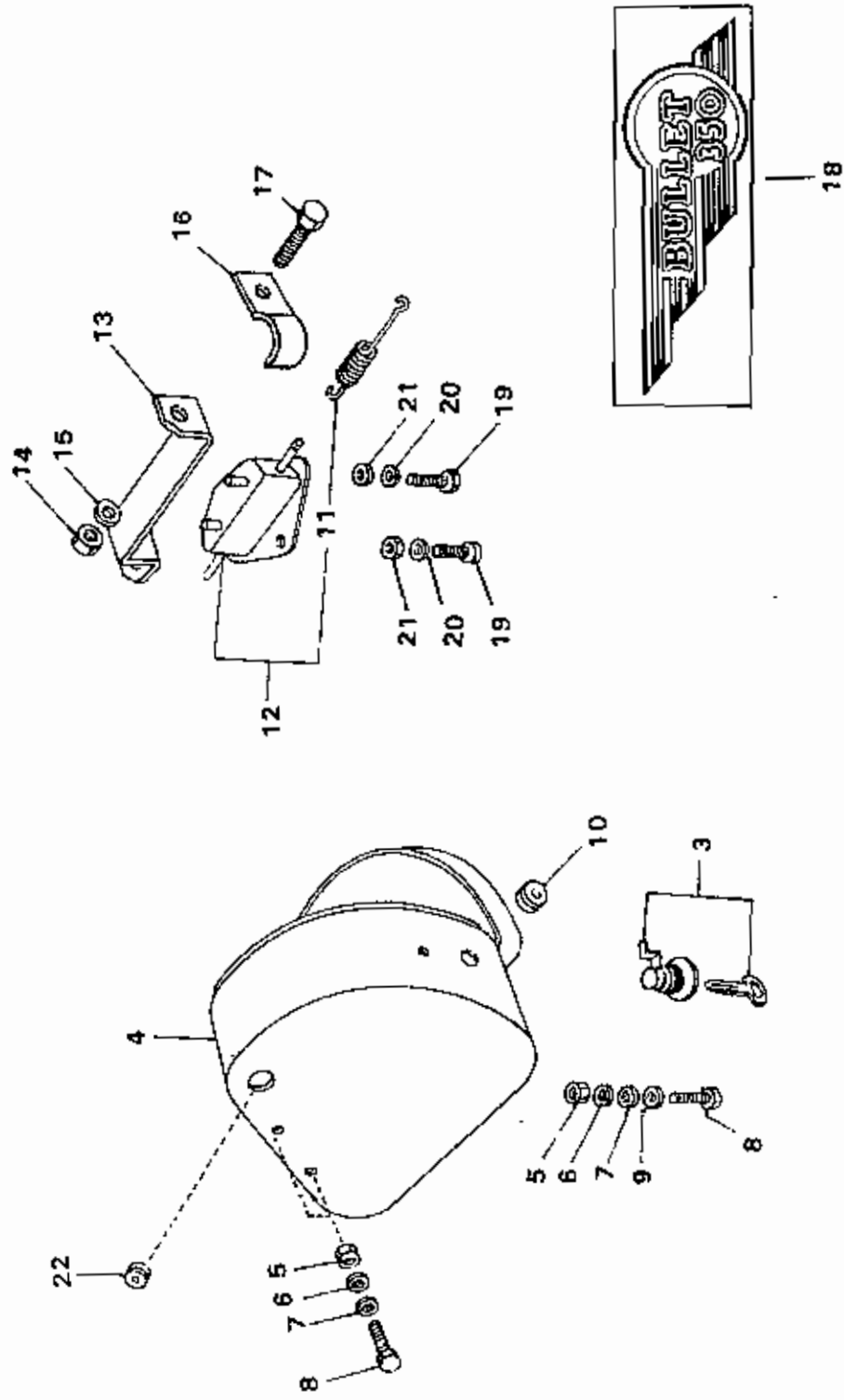
KEY/NEW PART NO. NUMBER	OLD PART NUMBER	DESCRIPTION	QTY	MODEL	REMARKS
	112038	PETROL TANK STANDARD	1	350/500 & 535 CC	
801154		PETROL TANK STANDARD BLACK	1	350/ 500 & 535 CC	
806024		PETROL TANK STANDARD ATHENA GREY	1	350/ 500 & 635 CC	
811030		PETROL TANK STANDARD VELVET GREEN	1	350/ 500 & 635 CC	
802027		PETROL TANK STANDARD RED	1	350/ 500 & 535 CC	
803018		PETROL TANK STANDARD BLUE	1	350/ 500 & 535 CC	
110569		PETROL TANK DELUXE *	1	350/ 500 & 535 CC	APPLICABLE FOR JAPAN ONLY
801202		PETROL TANK DELUXE BLACK	1	350/ 500 & 535 CC	APPLICABLE FOR JAPAN ONLY
802056		PETROL TANK DELUXE RED	1	350/ 500 & 535 CC	APPLICABLE FOR JAPAN ONLY
803048		PETROL TANK DELUXE BLUE	1	350/ 500 & 535 CC	APPLICABLE FOR JAPAN ONLY
809043		PETROL TANK DELUXE BURGUNDY	1	350/ 500 & 535 CC	APPLICABLE FOR JAPAN ONLY
809046		PETROL TANK DELUXE ATHENA GREY	1	350/ 500 & 535 CC	APPLICABLE FOR JAPAN ONLY
811050		PETROL TANK DELUXE VELVET GREEN	1	350/ 500 & 535 CC	APPLICABLE FOR JAPAN ONLY
111287		PETROL TANK DLX EXPORT *	1	350/ 500 & 535 CC	
801154D		PETROL TANK DLX EXPORT BLACK	1	350/ 500 & 535 CC	
811030D		PETROL TANK DLX EXPORT VELVET GREEN	1	350/ 500 & 535 CC	
802027D		PETROL TANK DLX EXPORT RED	1	350/ 500 & 535 CC	
803018D		PETROL TANK DLX EXPORT BLUE	1	350/ 500 & 535 CC	
809013D		PETROL TANK DLX EXPORT BURGUNDY	1	350/ 500 & 535 CC	
2	123781	BEADING	2	350/ 500 & 535 CC	APPLICABLE FOR JAPAN ONLY
3	110574	PANEL LH	1	350/ 500 & 535 CC	APPLICABLE FOR JAPAN ONLY
4	141362	PETROL TANK MOTIF - LH	1	350/ 500 & 535 CC	APPLICABLE FOR JAPAN ONLY
5	110499	KNEE GRIP L H	1	350/ 500 & 535 CC	APPLICABLE FOR JAPAN ONLY
6	110403	SCREW FOR FIXING KNEE GRIP/PETROL TANK PANEL	2	350/ 500 & 535 CC	FOR DELUXE EXPORT TANK ONLY
7	140470	SCREW FOR FIXING PETROL TANK MOTIF	4	350/ 500 & 535 CC	
8	141368	CAP ASSEMBLY	1	350/ 500 & 535 CC	APPLICABLE FOR JAPAN ONLY
9	0	CAP ASSEMBLY LOCKABLE	1	350/ 500 & 535 CC	FOR NON LOCKABLE TANK
10	110572	PANEL RH	1	350/ 500 & 535 CC	NOT SERVICED SEPARATELY APPLICABLE FOR JAPAN ONLY

08-10 FUEL TANK



KEY/NEW PART	DESCRIPTION	QTY	MODEL	REMARKS
NO. NUMBER	NUMBER			
11	141361	1	350/500 & 535 CC	
12	110498	1	350/500 & 535 CC	APPLICABLE FOR JAPAN ONLY
13	140302	4	350/500 & 535 CC	FOR DELUXE EXPORT TANK ONLY
14	140303	4	350/500 & 535 CC	
15	140471	1	350/500 & 535 CC	
16	110405	1	350/500 & 535 CC	
17	110406	1	350/500 & 535 CC	
18	140472	1	350/500 & 535 CC	
19	140304	.4	350/500 & 535 CC	
20	140468	1	350/500 & 535 CC	
21	141209	1	350/500 & 535 CC	NOT APPLICABLE FOR REGULAR BIKES
22	141831	1	350/500 & 535 CC	ONLY FOR REGULAR BIKES
23	142643	2	350/500 & 535 CC	ONLY FOR EUROPE/JAPAN BIKES
24	110452	2	350/500 & 535 CC	ONLY FOR USA/CANADA
25	142246	1	350/500 & 535 CC	
26	110422	1	350/500 & 535 CC	FOR NONLOCABLE TANK
27	141208	1	350/500 & 535 CC	
28	143420	1	350/500 & 535 CC	NOT APPLICABLE FOR REGULAR BIKES
				FOR EUR/US /CANADA

09-10 TOOL BOX LH



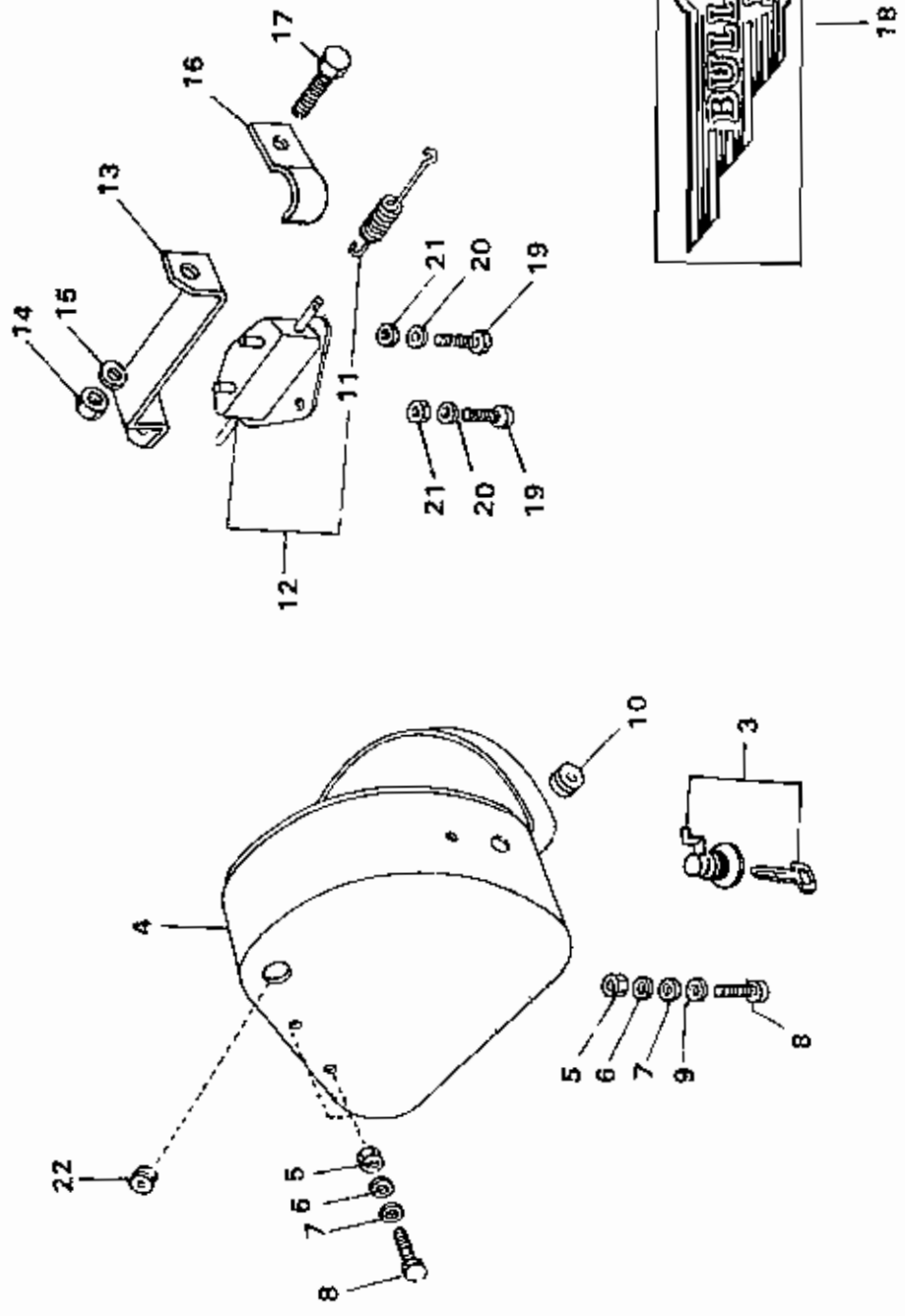
A1

KEY NOS
4, 18



KEY NEW PART NO.	OLD PART NUMBER	DESCRIPTION	QTY	MODEL	REMARKS
801198	142577	TOOL BOX COMPLETE - LH BLACK	1	350/500 & 535 CC	
811052		TOOL BOX COMPLETE - LH V.GREEN	1	350 & 500	FOR BIKES WITHOUT PAV
806047		TOOL BOX COMPLETE - LH A.GREY	1	350 & 500	FOR BIKES WITHOUT PAV
802052		TOOL BOX COMPLETE - LH RED	1	350 & 500	FOR BIKES WITHOUT PAV
803045		TOOL BOX COMPLETE - LH BLUE	1	350 & 500	FOR BIKES WITHOUT PAV
809039		TOOL BOX COMPLETE - LH BURGUNDY	1	350 & 500	FOR BIKES WITHOUT PAV
801167	143536	TOOL BOX COMPLETE - LH BLACK	1	350 & 500	FOR USA AND CANADA ONLY
811039		TOOL BOX COMPLETE - LH V.GREEN	1	350 & 500	FOR USA AND CANADA ONLY
806031		TOOL BOX COMPLETE - LH A.GREY	1	350 & 500	FOR USA AND CANADA ONLY
825014		TOOL BOX COMPLETE - LH O.GREEN	1	350 & 500	FOR USA AND CANADA ONLY
802029		TOOL BOX COMPLETE - LH RED	1	350 & 500	FOR USA AND CANADA ONLY
803020		TOOL BOX COMPLETE - LH BLUE	1	350 & 500	FOR USA AND CANADA ONLY
801159	144279	TOOL BOX COMPLETE - LH BLACK	1	500	EUROPE AFTER JAN 1997
811044		TOOL BOX COMPLETE - LH V.GREEN	1	500	EUROPE AFTER JAN 1997
806025		TOOL BOX COMPLETE - LH A.GREY	1	500	EUROPE AFTER JAN 1997
802044		TOOL BOX COMPLETE - LH RED	1	500	EUROPE AFTER JAN 1997
803037		TOOL BOX COMPLETE - LH BLUE	1	500	EUROPE AFTER JAN 1997
143182		LOCK ASSEMBLY FOR TOOL BOXES	1	350/500 & 535 CC	FOR ALL MODELS AFTER JUNE 99
143539		LOCK ASSEMBLY FOR TOOL BOXES	1	350 & 500	FOR ALL MODELS BEFORE JUNE 99
143530		TOOL BOX LH	1	350 & 500	EUROPE AFTER JAN 1987
801177		TOOL BOX LH BLACK	1	350	EUROPE AFTER JUNE 1999
806041		TOOL BOX LH A. GREY	1	350	EUROPE AFTER JUNE 1999
802050		TOOL BOX LH RED	1	350	EUROPE AFTER JUNE 1999
803043		TOOL BOX LH BLUE	1	350	EUROPE AFTER JUNE 1999
809038		TOOL BOX LH BURGUNDY	1	350	EUROPE AFTER JUNE 1999
811045		TOOL BOX LH V. GREEN	1	350	EUROPE AFTER JUNE 1999
801057		TOOL BOX LH BLACK	1	500 & 535CC	EUROPE AFTER JUNE 1999
806075		TOOL BOX LH A. GREY	1	500 & 535CC	EUROPE AFTER JUNE 1999
802044		TOOL BOX LH RED	1	500 & 535CC	EUROPE AFTER JUNE 1999
803037		TOOL BOX LH BLUE	1	500 & 535CC	EUROPE AFTER JUNE 1999
809032		TOOL BOX LH BURGUNDY	1	500 & 535CC	EUROPE AFTER JUNE 1999
811044		TOOL BOX LH V. GREEN	1	500 & 535CC	EUROPE AFTER JUNE 1999

09-10 TOOL BOX LH



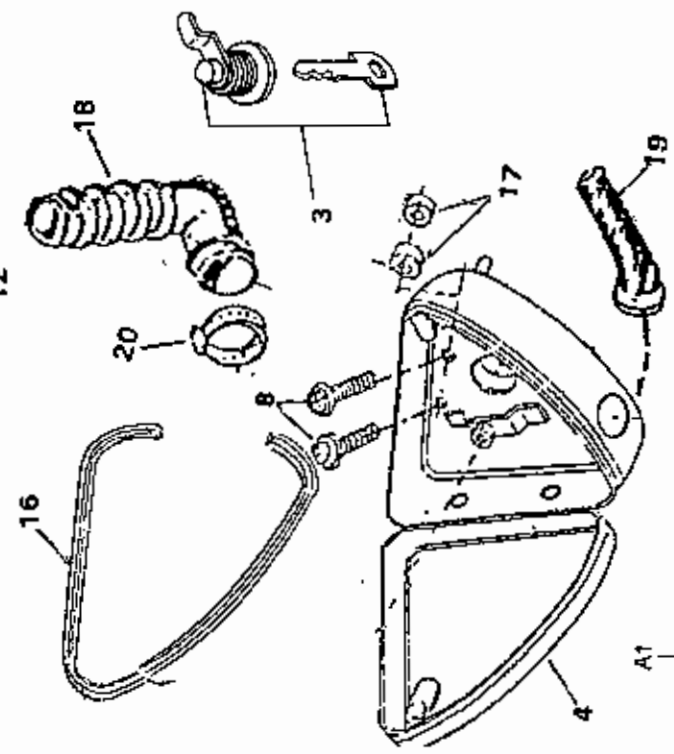
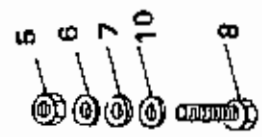
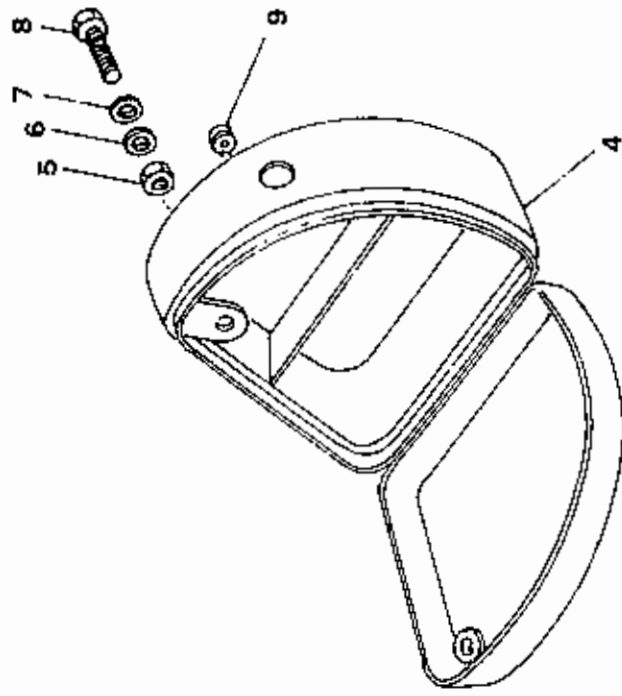
A1

KEY NOS
4, 18



KEY/NEW PART/OLD PART NO. NUMBER	DESCRIPTION	QTY	MODEL	REMARKS
4	TOOL BOX LH	1	350/500 & 635 CC	
5	NUT	3	350/ 500 & 635 CC	ONLY FOR REGULAR
6	WASHER	3	350/ 500 & 535 CC	
7	WASHER	3	350/ 500 & 535 CC	
8	BOLT	3	350/ 500 & 535 CC	
8	BOLT	2	350/ 500 & 535 CC	EUROPE AFTER JAN 1997
9	WASHER - TOOL BOX BOLT	1	350/ 500 & 535 CC	
10	GROMMET - STOP LIGHT SWITCH	1	350/ 500 & 535 CC	
11	STOP LIGHT SPRING	1	350/ 500 & 535 CC	
12	STOP LIGHT SWITCH WITH LEADS	1	350/ 500 & 535 CC	FOR ALL MODELS AFTER JUNE 99
	STOP LIGHT SWITCH	1	350/ 500 & 535 CC	FOR ALL MODELS BEFORE JUNE 99
13	SHIELD - STOP LIGHT SWITCH	1	350/ 500 & 535 CC	FOR JAPAN AND REGULAR BIKES
13	SHIELD - STOP LIGHT SWITCH	1	350/ 500 & 535 CC	EUROPE AFTER JAN 1997
	SHIELD - STOP LIGHT SWITCH	1	350/ 500 & 635 CC	US/CANADA
14	NUT-TOOL BOX	1	350/ 500 & 635 CC	
16	STOP LIGHT SWITCH CABLE CLIP	1	350/ 500 & 535 CC	
17	SCREW-STOP LIGHT SWITCH	1	350/ 500 & 535 CC	
18	STICKER TOOL BOX LH	1	500	
18	STICKER TOOL BOX LH	1	350	
18	STICKER TOOL BOX LH	1	535 CC	
19	SCREW-STOP LIGHT SWITCH	2	500	
20	WASHER-STOP LIGHT SWITCH NUT	2	350/ 500 & 635 CC	
21	NUT-STOP LIGHT SWITCH	2	350/ 500 & 535 CC	
22	GROMMET-TOOL BOX	1	350/ 500 & 535 CC	
23	SPACER - TOOL BOX	2	350/ 500 & 535 CC	EUROPE AFTER JAN 1997
24	BEADING TOOL BOX	1	350/ 500 & 535 CC	EUROPE AFTER JAN 1997
	*. SPECIFY WHETHER 350CC OR 500CC WHEN ORDERING			

09-20 TOOL BOX RH

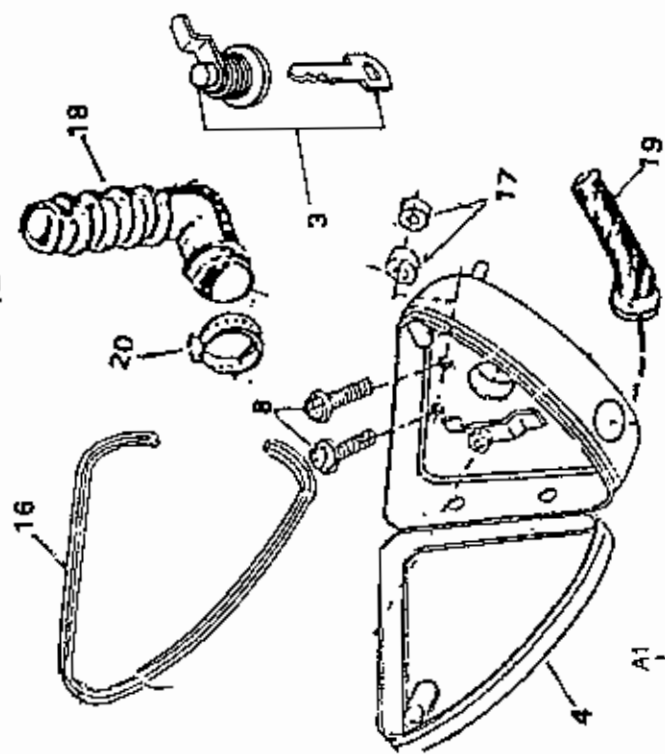
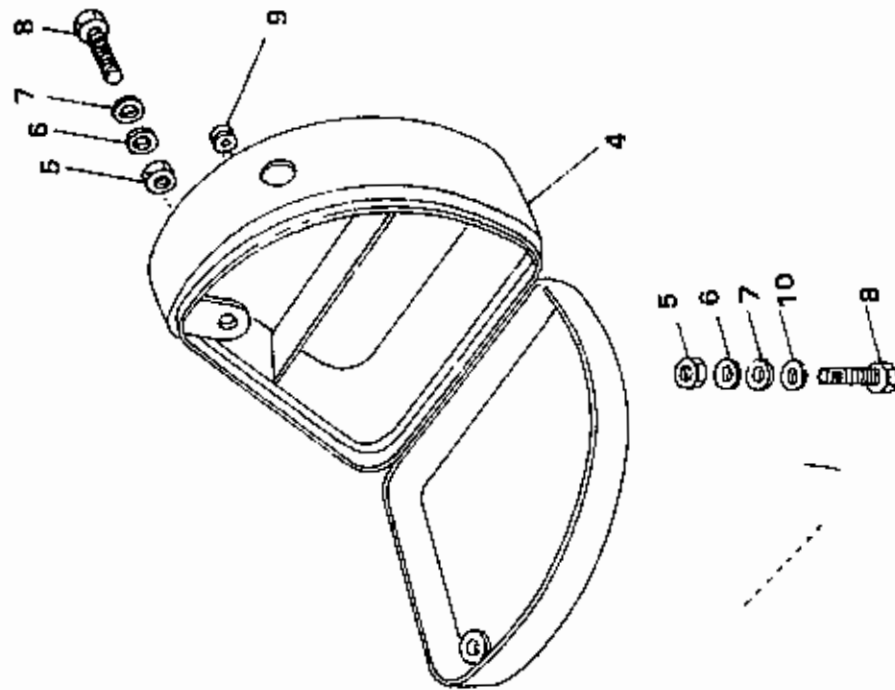


KEY NOS
4, 12



KEY NEW PART/OLD PART		DESCRIPTION		QTY	MODEL	REMARKS
NO.	NUMBER				350/500 & 535 CC	
A1	142570		TOOL BOX COMPL RH *	1	350 & 500	
A1	143691		TOOL BOX COMPLETE RH (CANADA) *	1	350 & 500	CANADA . WITHOUT IGNITION
A1	801166		TOOL BOX COMPLETE RH (USA) BLACK	1	350 & 500	USA. WITHOUT IGNITION
	811038		TOOL BOX COMPLETE RH (USA) V.GREEN	1	350 & 500	USA. WITHOUT IGNITION
	806030		TOOL BOX COMPLETE RH (USA) A.GREY	1	350 & 500	USA. WITHOUT IGNITION
	825015		TOOL BOX COMPLETE RH (USA) O.GREEN	1	350 & 500	USA. WITHOUT IGNITION
	802028		TOOL BOX COMPLETE RH (USA) RED	1	350 & 500	USA. WITHOUT IGNITION
	803019		TOOL BOX COMPLETE RH (USA) BLUE	1	350 & 500	USA. WITHOUT IGNITION
	143529		TOOL BOX RH *	1	350 & 500	EUROPE AFTER JAN 1997
	801158		TOOL BOX RH BLACK	1	350	EUROPE AFTER JUN 1997
	806026		TOOL BOX RH A.GREY	1	350	EUROPE AFTER JUN 1997
A1	802045		TOOL BOX RH RED	1	350	EUROPE AFTER JUN 1997
	803038		TOOL BOX RH BLUE	1	350	EUROPE AFTER JUN 1997
	809033		TOOL BOX RH BURGUNDY	1	350	EUROPE AFTER JUN 1997
	811034		TOOL BOX RH V.GREEN	1	350	EUROPE AFTER JUN 1997
	801159		TOOL BOX RH BLACK	1	500 & 535CC	EUROPE AFTER JUN 1997
	806027		TOOL BOX RH A.GREY	1	500 & 535CC	EUROPE AFTER JUN 1997
A1	802049		TOOL BOX RH RED	1	500 & 535CC	EUROPE AFTER JUN 1997
	803042		TOOL BOX RH BLUE	1	500 & 535CC	EUROPE AFTER JUN 1997
	809037		TOOL BOX RH BURGUNDY	1	500 & 535CC	EUROPE AFTER JUN 1997
	811035		TOOL BOX RH V.GREEN	1	500 & 535CC	EUROPE AFTER JUN 1997

09-20 TOOL BOX RH



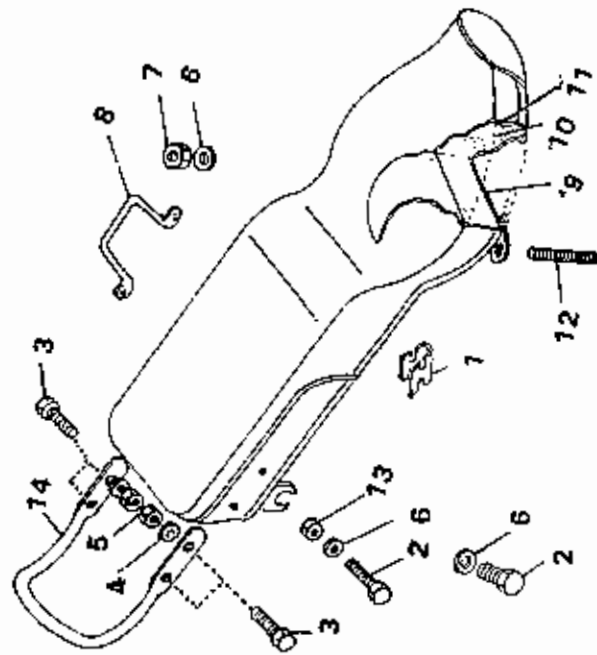
A1	KEY NOS
	4, 12



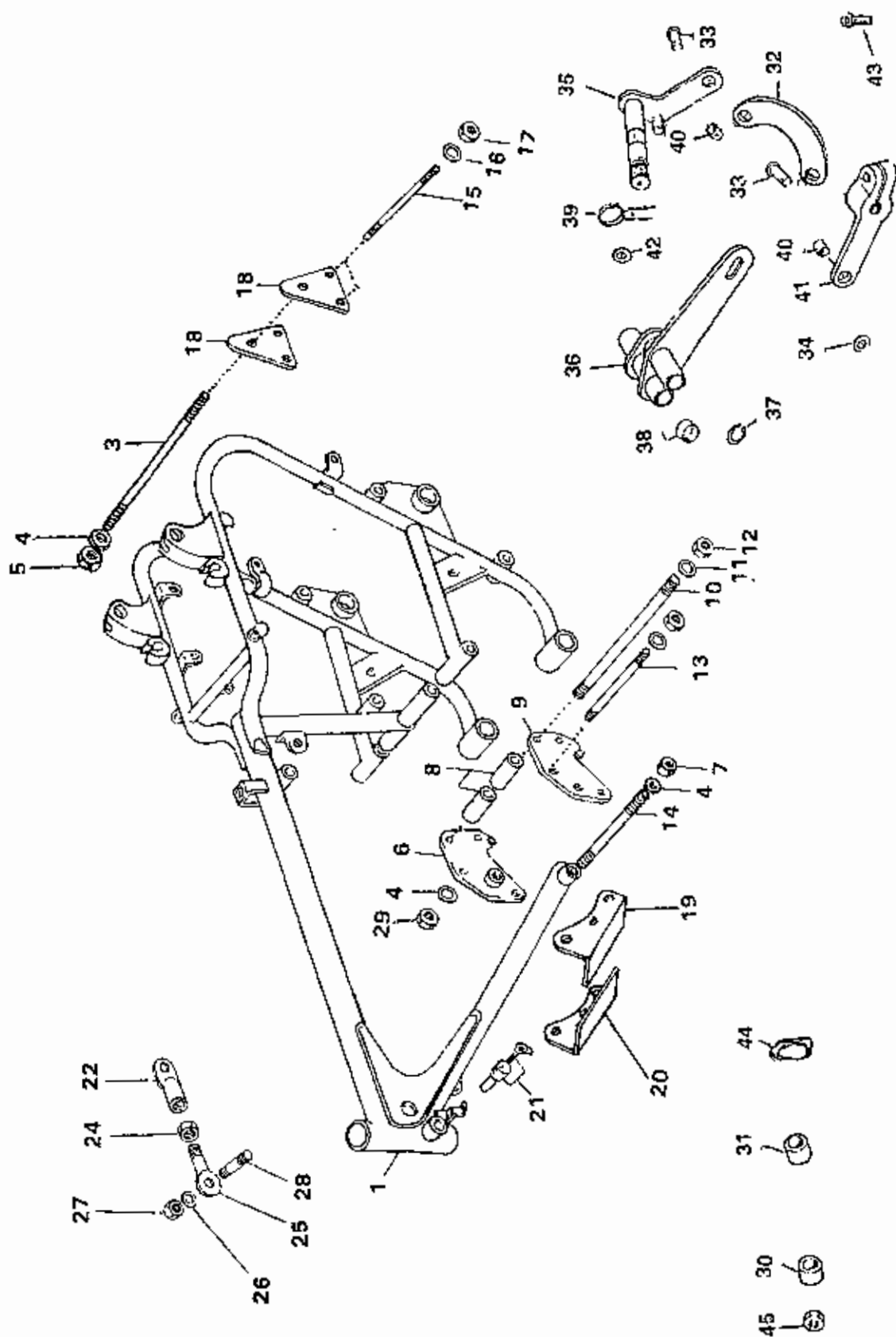
10-10 SEAT

A1

KEY NOS
1,3,4,5,9,10, 11,14



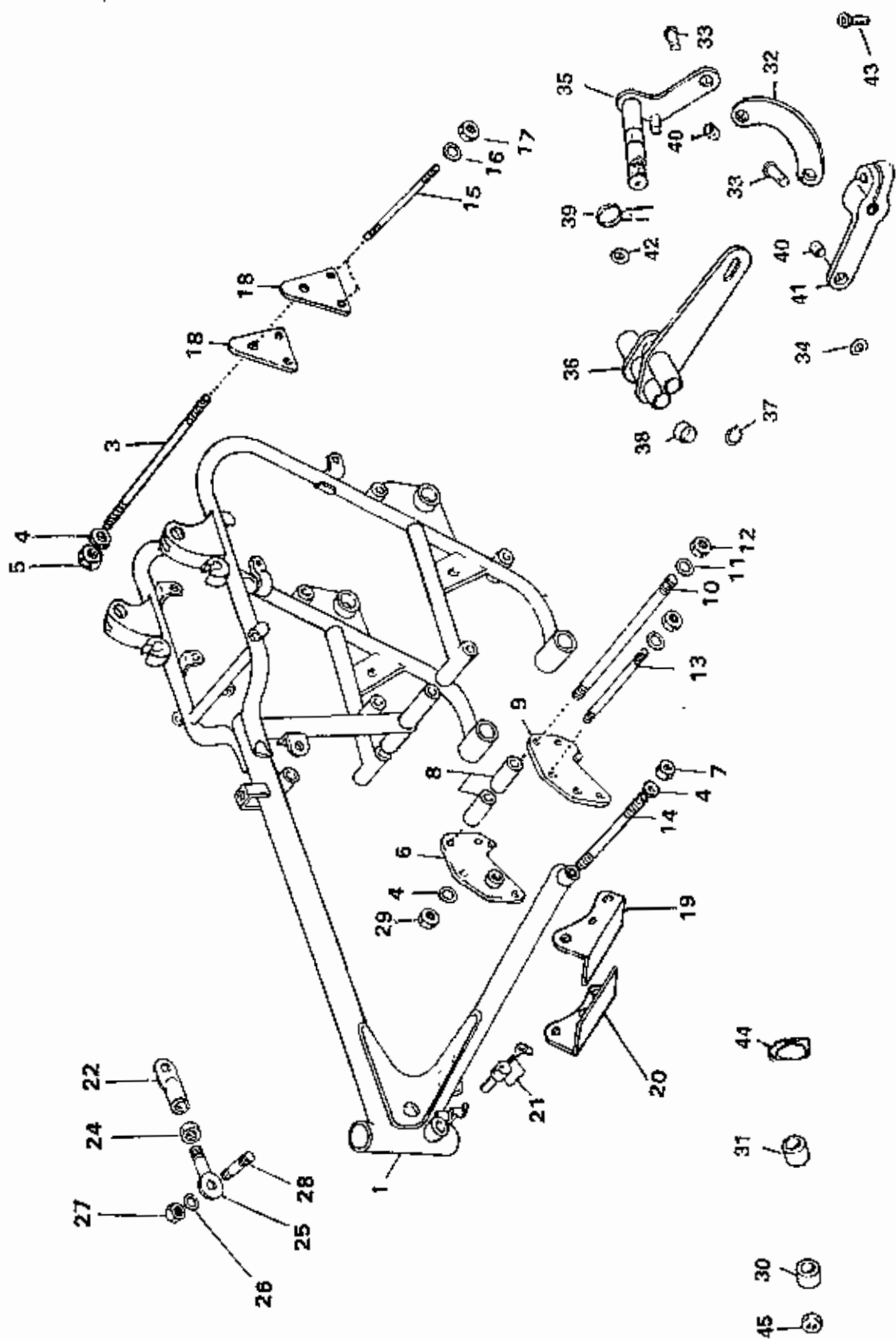
11-10 FRAME ASSEMBLY



KEY NEW PART	OLD PART	DESCRIPTION	QTY	MODEL	REMARKS
NO. NUMBER	NUMBER				
1	801122	FRAME ASSY LESS BALL RACE LOOSE FITTING	1	350/500 & 535 CC	
3	801168	FRAME ASSEMBLY	1	350/500 & 535 CC	LEFT SHIFT GEAR BOX
4	142242	STUD-GEAR BOX PLATE TOP	1	350/500 & 535 CC	
4	140306	WASHER	6	350/500 & 535 CC	
5	142232	NUT - FRONT ENGINE PLATE STUD	4	350/500 & 535 CC	
6	801056	REAR ENGINE PLATE R H	1	350/500 & 535 CC	
6	801021	REAR ENGINE PLATE R H	1	350/500 & 535 CC	LEFT SHIFT GEAR BOX
7	142232	NUT - ENGINE PLATE STUD	2	350/500 & 535 CC	
8	801019	CENTRE STAND SPACER	2	350/500 & 535 CC	
9	801057	REAR ENGINE PLATE L H	1	350/500 & 535 CC	
9	801107	REAR ENGINE PLATE L H	1	350/500 & 535 CC	LEFT SHIFT GEAR BOX
10	110210	REAR ENGINE PLATE STUD	1	350/500 & 535 CC	
10	113016	REAR ENGINE PLATE STUD	1	350/500 & 535 CC	LEFT SHIFT GEAR BOX
11	140293	WASHER 3/8"	2	350/500 & 535 CC	
12	140302	NUT	2	350/500 & 535 CC	
13	110215	STUD - ENGINE PLATE	1	350/500 & 535 CC	
14	142240	STUD - FRONT ENGINE PLATE	1	350/500 & 535 CC	
15	141057	STUD-GEAR BOX TOP	2	350/500 & 535 CC	
16	140147	WASHER-SHAKE PROOF	4	350/500 & 535 CC	
17	141051	NUT	4	350/500 & 535 CC	
18	801020	GEAR BOX PLATE-FRAME ASSY	2	350/500 & 535 CC	
19	801026	ENGINE PLATE - L H	1	350/500 & 535 CC	
20	801025	ENGINE PLATE - R H	1	350/500 & 535 CC	
		STEERING LOCK (COMMON KEY) (N S)	1	350/500 & 535 CC	FOR REGULAR ONLY
21	142608	STEERING LOCK ASSY (E) (COMMON) (N S)	1	350/500 & 535 CC	NOT FOR REGULAR
	144751	STEERING LOCK ASSY (E) (COMMON) (N S)	1	350/500 & 535 CC	FOR ALL MODELS AFTER JUNE89
22	140441	SLEEVE ENGINE STAY	1	350/500 & 535 CC	
24	140300	NUT	1	350/500 & 535 CC	

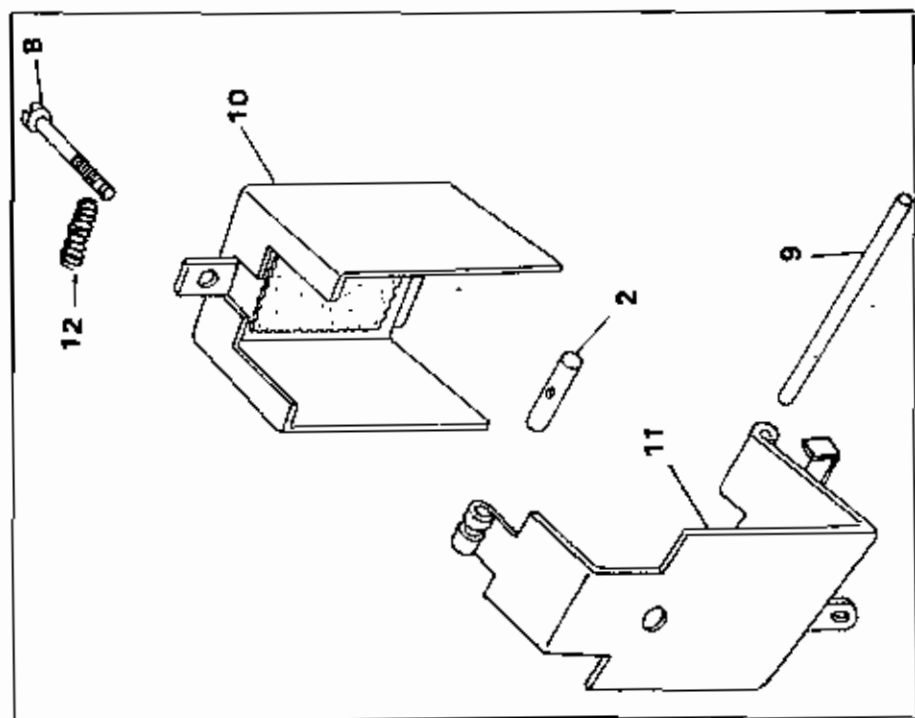
11 - 10 FRAME ASSEMBLY

11-10 FRAME ASSEMBLY

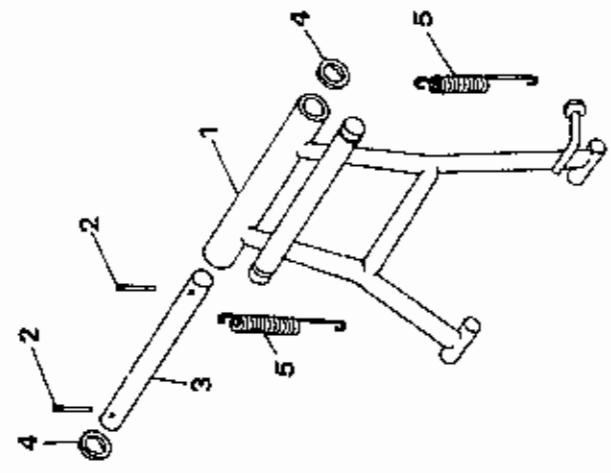
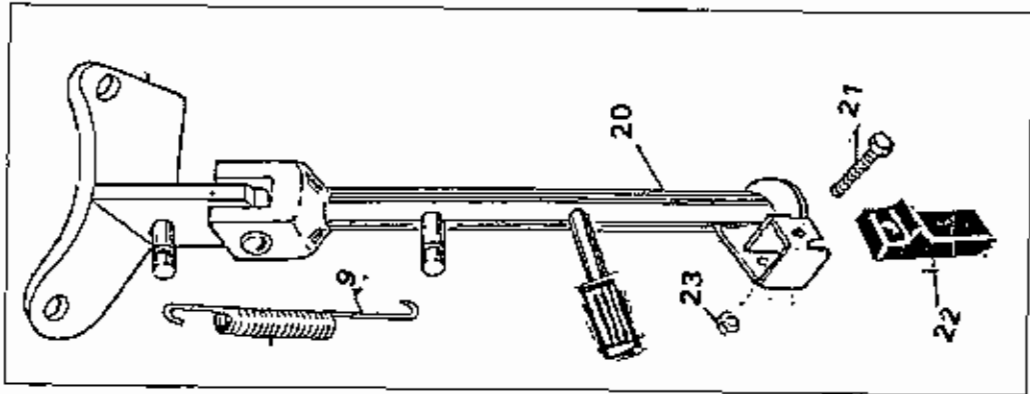
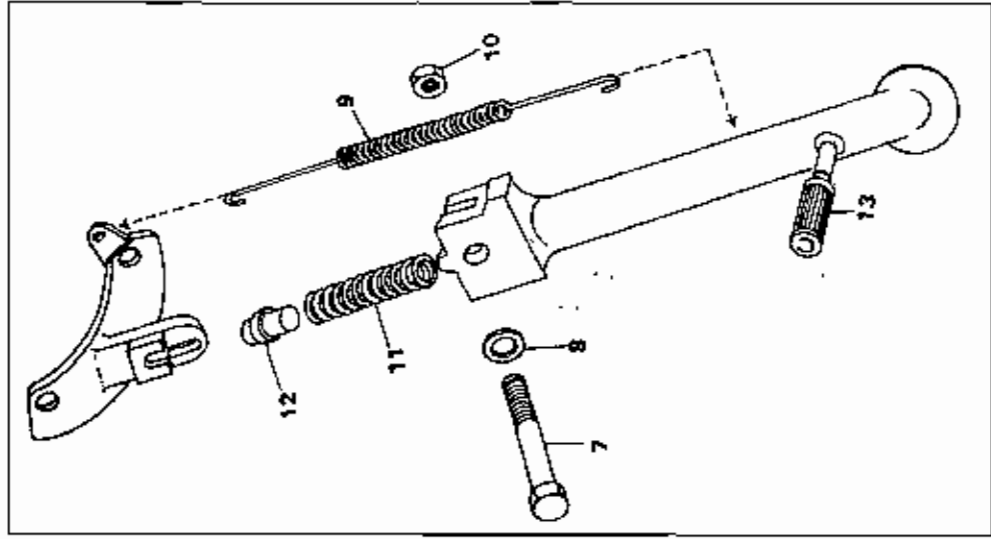


KEY NEW PART		OLD PART	DESCRIPTION		QTY	MODEL	REMARKS
NO. NUMBER	NUMBER						
25	140435			EYE BOLT	1	350/500 & 535 CC	
26	144600	140080		STUD WASHER	2	350/500 & 535 CC	
27	141051			NUT	2	350/500 & 535 CC	
28	141058			STUD-STEADY ATTACHMENT	1	350/500 & 535 CC	
29	110220			NUT	2	350/500 & 535 CC	
30	113022			REAR BRAKE SPINDLE BUSH LH	1	350/500 & 535 CC	LEFT SHIFT GEAR BOX
31	113023			REAR BRAKE SPINDLE BUSH RH	1	350/500 & 535 CC	LEFT SHIFT GEAR BOX
32	113112			MIDDLE LINK (FROM FEB. '97 ONWARDS)	1	350/500 & 535 CC	LEFT SHIFT GEAR BOX
33	113052			PIVOT PIN	2	350/500 & 535 CC	LEFT SHIFT GEAR BOX
34	111908			WASHER	2	350/500 & 535 CC	LEFT SHIFT GEAR BOX
35	113053			GEAR PEDAL SPINDLE LINK ASSY	1	350/500 & 535 CC	LEFT SHIFT GEAR BOX
36	801110	113057		PIVOT SPINDLE BOSS ASSEMBLY	1	350/500 & 535 CC	LEFT SHIFT GEAR BOX
37	113063			CIRCLIP	1	350/500 & 535 CC	LEFT SHIFT GEAR BOX
38	113074			SPACER (NOT SERVICEABLE)	1	350/500 & 535 CC	LEFT SHIFT GEAR BOX
39	113065			RETURN SPRING	1	350/500 & 535 CC	LEFT SHIFT GEAR BOX
40	113066			BUSH - NYLON GEAR SHIFT LINK	2	350/500 & 535 CC	LEFT SHIFT GEAR BOX
41	113050			GEAR SHIFT SHAFT LINK	1	350/500 & 535 CC	LEFT SHIFT GEAR BOX
41	113110			GEAR SHIFT SHAFT LINK (AFTER FEB. '97 ONWARDS)	1	350/500 & 535 CC	LEFT SHIFT GEAR BOX
42	113085			CIRCLIP	1	350/500 & 535 CC	LEFT SHIFT GEAR BOX
43	113066			GEAR CHANGE LEVER CLIP BOLT	1	350/500 & 535 CC	LEFT SHIFT GEAR BOX
44	113062			SPINDLE BOSS SPACER	1	350/500 & 535 CC	LEFT SHIFT GEAR BOX
45	113064			SPACER - BRAKE SHAFT	1	350/500 & 535 CC	LEFT SHIFT GEAR BOX
11227				NAME PLATE (VIN)	1	350	FOR CANADA ONLY
11229	112229			NAME PLATE (VIN)	1	350	FOR USA ONLY
11228				NAME PLATE (VIN)	1	500	FOR CANADA ONLY
112230				NAME PLATE (VIN)	1	500	FOR USA ONLY
142689				NAME PLATE	1	350	FOR GREECE ONLY
142687				NAME PLATE	1	500	FOR GREECE ONLY
144606				NAME PLATE (VIN)	1	350 & 500	FOR EUROPE ONLY

11-20 BATTERY CARRIER



11-30 STANDS

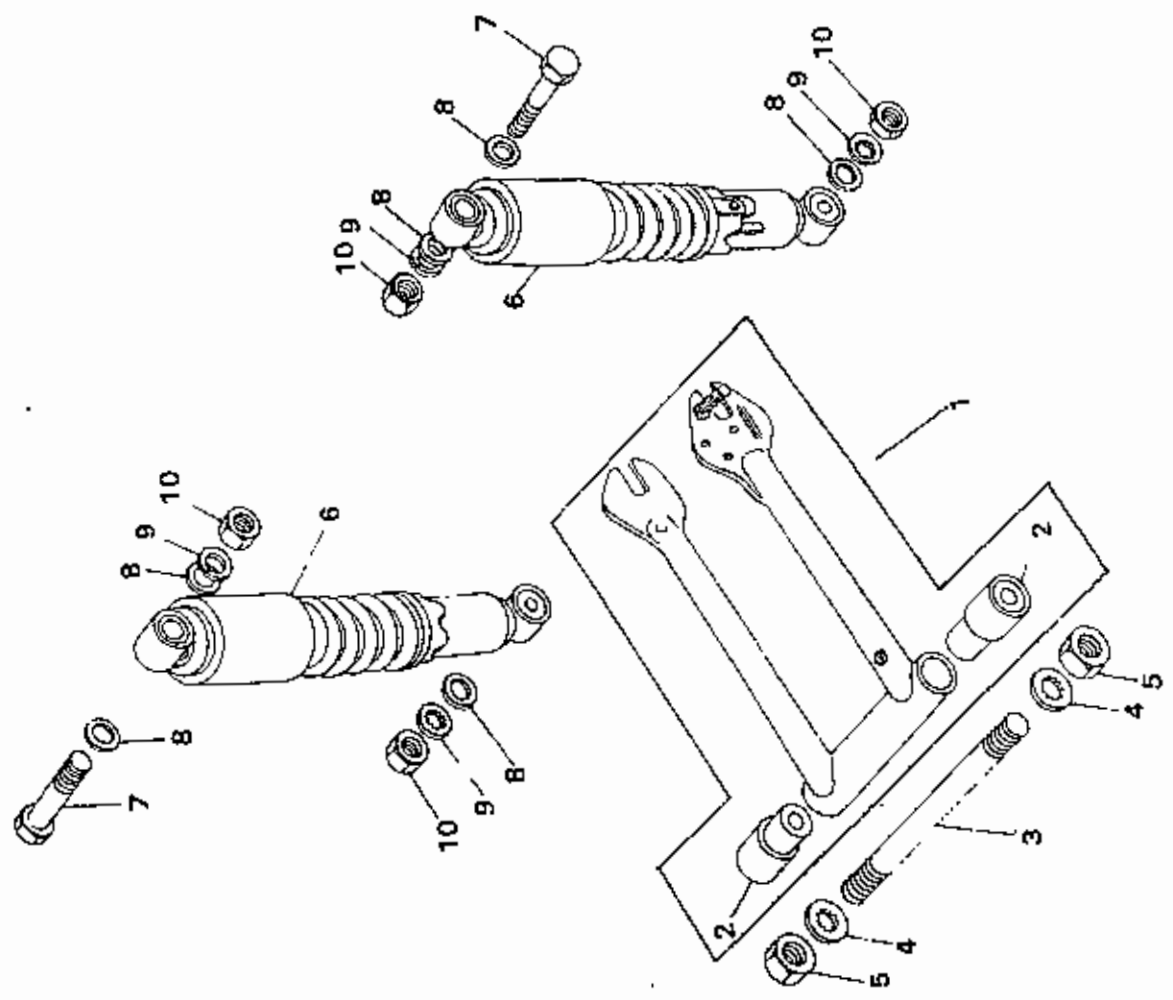


KEY NEW PART/OLD PART		DESCRIPTION	QTY	MODEL	REMARKS
NO. NUMBER	NUMBER				
1	801058	141205	1	350/500 & 535 CC	
		CENTRE STAND COMPLETE			
2	801108	143675	1	350/ 500 & 535 CC	RIGHT SHIFT GEAR
		CENTRE STAND			
3	141230		2	350/ 500 & 535 CC	LEFT SHIFT GEAR BOX
		SPLIT PIN-CENTRE STAND			
4	141233		1	350/ 500 & 535 CC	
		SPINDLE-CENTRE STAND			
5	141234		2	350/ 500 & 535 CC	
		WASHER-CENTRE STAND			
6	141530		2	350/ 500 & 535 CC	
		SPRING-CENTRE STAND			
7	143693		1	350/ 500 & 535 CC	LEFT SHIFT GEAR BOX
		CENTRE STAND SPRING RH			
8	143456		1	350/ 500 & 535 CC	FOR REGULAR/EUROPE
		SIDE STAND ASSEMBLY (EC)			
9	143750		1	350/ 500 & 535 CC	FOR USA/CANADA ONLY
		SIDE STAND ASSEMBLY (WITH TRIP PAD)			
10	143463		1	350/ 500 & 535 CC	FOR REGULAR/EUROPE
		BOLT M8 - SIDE STAND (EC)			
11	140080		1	350/ 500 & 535 CC	FOR REGULAR/EUROPE
		STUD WASHER			
12	143471		1	350/ 500 & 535 CC	FOR REGULAR/EUROPE
		SPRING (OUTER) - SIDE STAND			
13	143692		1	350/ 500 & 535 CC	LEFT SHIFT GEAR BOX
		SPRING - SIDE STAND			
14	142182		1	350/ 500 & 535 CC	FOR REGULAR/EUROPE
		NUT NYLOCK - FT. FORK CROWN CLAMP BOLT			
15	143472		1	350/ 500 & 535 CC	FOR REGULAR/EUROPE
		SPRING - INNER - SIDE STAND			
16	110203		1	350/ 500 & 535 CC	FOR REGULAR/EUROPE
		PLUNGER - SIDE STAND (NOT SERVICEABLE)			
17	110233		1	350/ 500 & 535 CC	FOR REGULAR/EUROPE
		RUBBER SLEEVE - SIDE STAND			
18	110356		1	350/ 500 & 535 CC	
		SPRING SIDE STAND			
19	110357		1	350/ 500 & 535 CC	
		SPRING WASHER - PROP STAND (OLD TYPE)			
20	110358		1	350/ 500 & 535 CC	
		LOCK NUT - PROP STAND (OLD TYPE)			
21	110359		1	350/ 500 & 535 CC	
		PIVOT PIN - PROP STAND (OLD TYPE)			
22	110377		1	350/ 500 & 535 CC	
		WASHER - PROP STAND (OLD TYPE)			
23	143747		1	350/ 500 & 535 CC	FOR USA/CANADA ONLY
		PROP STAND BODY (OLD TYPE) (N/S)			
24	143498		1	350/ 500 & 535 CC	LEFT SHIFT GEAR BOX
		LEG-SIDE STAND(SIDE STAND WITH TRIP PAD)			
25	143064		1	350/ 500 & 535 CC	LEFT SHIFT GEAR BOX
		BOLT FOR TRIP PAD			
26	141060		1	350/ 500 & 535 CC	LEFT SHIFT GEAR BOX
		TRIP PAD			
27			1	350/ 500 & 535 CC	LEFT SHIFT GEAR BOX
		NUT			

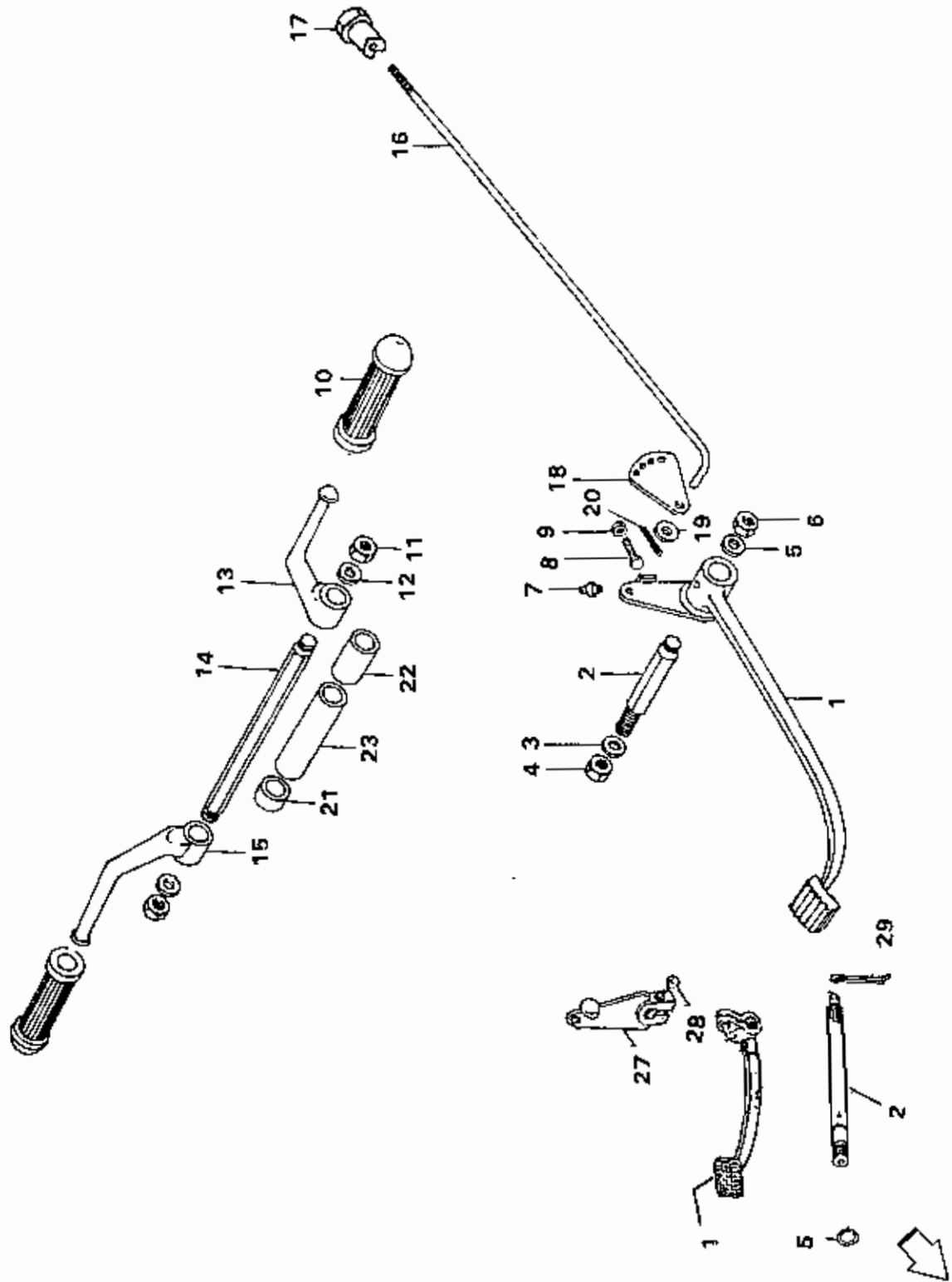
12-10 CHAIN STAY AND SHOCK ABSORBER

A1

KEY NOS
3, 3, 4, 5

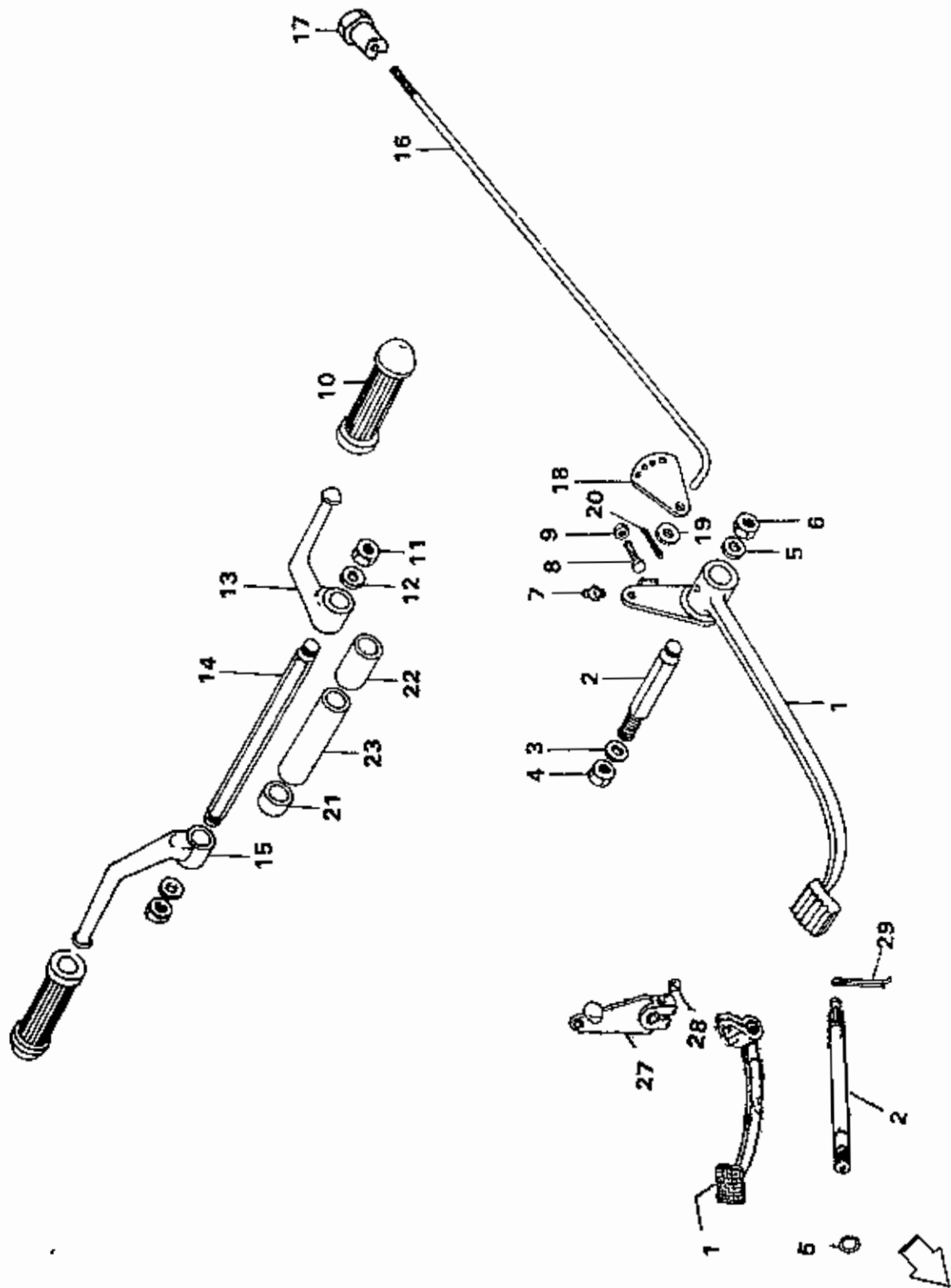


13-10 BRAKE PEDAL, FOOTRESTS

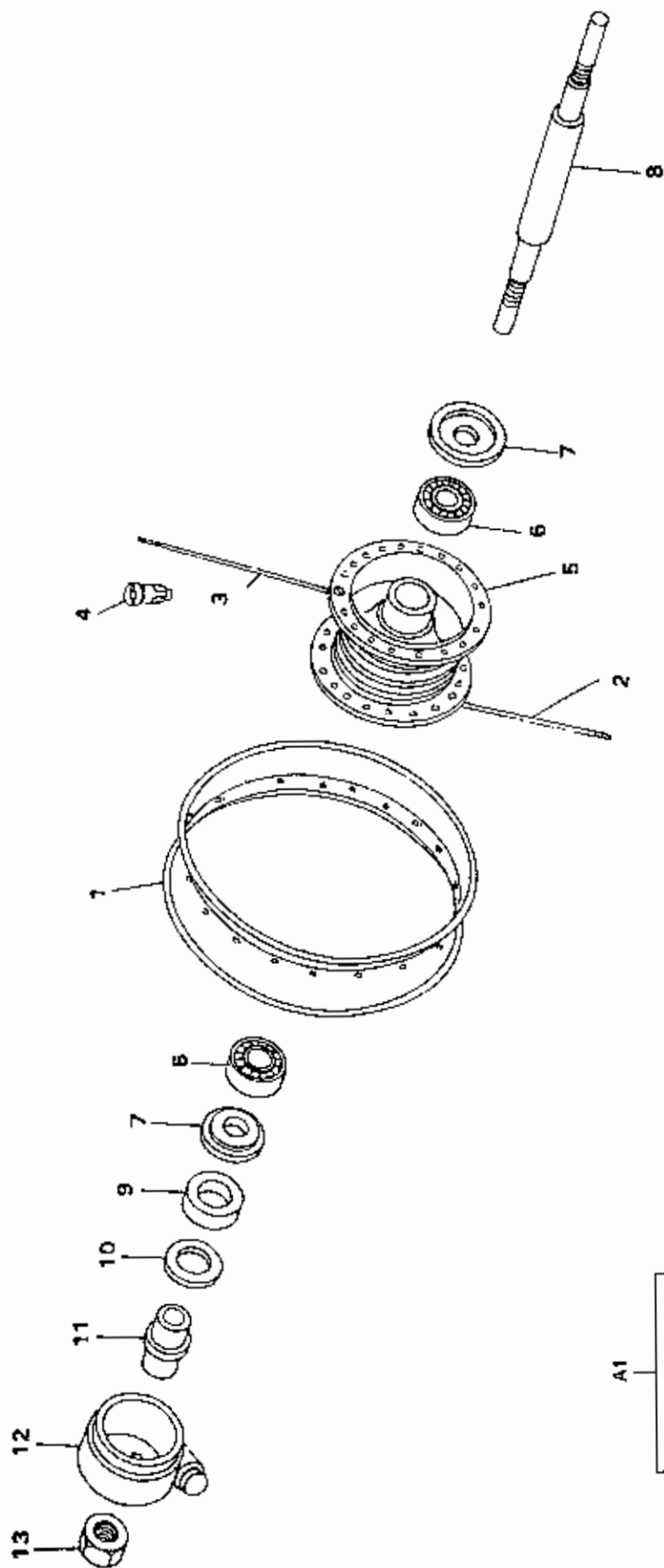


KEY	NEW PART	OLD PART	DESCRIPTION	QTY	MODEL	REMARKS
NO.	NUMBER	NUMBER				
	801031	110951	REAR BRAKE PEDAL (PAINTED)	1	350 & 500	RIGHT SHIFT GEAR
	111375		REAR BRAKE PEDAL (PLATED)	1	350 & 500	RIGHT SHIFT GEAR
1	801112	113018	BRAKE PEDAL ASSEMBLY	1	350 & 500	LEFT SHIFT GEAR BOX
	113088		BRAKE PEDAL ASSEMBLY PLATED	1	351 & 500	LEFT SHIFT GEAR BOX
2	110300		REAR BRAKE PEDAL FULCRUM STUD	1	350 & 500	RIGHT SHIFT GEAR
	113027		BRAKE SPINDLE	1	350 & 500	LEFT SHIFT GEAR BOX
3	140305		WASHER	1	350 & 500	RIGHT SHIFT GEAR
4	140384		NUT	1	350 & 500	RIGHT SHIFT GEAR
5	140293		WASHER 3/8"	1	350 & 500	RIGHT SHIFT GEAR
	113026		WASHER - REAR BRAKE LEVER	1	350 & 500	LEFT SHIFT GEAR BOX
6	140302		NUT	1	350 & 500	RIGHT SHIFT GEAR
	113049		GREASE NIPPLE	1	350 & 500	
7	113072		GREASE NIPPLE	1	350 & 500	LEFT SHIFT GEAR BOX
	143657		REAR BRAKE PEDAL STOP PIN	1	350 & 500	LEFT SHIFT GEAR BOX
8	111846		STOP PIN - REAR BRAKE PEDAL	1	350 & 500	RIGHT SHIFT GEAR
9	141060		NUT	1	350 & 500	
10	140947		FOOTREST RUBBER FRONT	2	350 & 500	
11	142114		NUT - FRONT FOOT REST BAR	2	350 & 500	
12	143409		WASHER - FRONT FOOT REST	2	350 & 500	
	801036	110412	FOOT REST ARM - FRONT LH	1	350 & 500	
13	801173	143671	RIDER FOOT REST LEVER LH	1	350 & 500	FOR USA/CANADA ONLY
14	143303		FOOT REST BAR	1	350 & 500	
	801035	110411	FOOT REST ARM - FRONT RH	1	350 & 500	
15	801172	143670	RIDER FOOT REST LEVER RH	1	350 & 500	FOR USA/CANADA ONLY
16	144008	110297	REAR BRAKE ROD	1	350 & 500	
	111376		BRAKE ROD CHROME PLATED	1	350 & 500	
17	140544		NUT-REAR BRAKE ADJUSTER	1	350 & 500	
18	110170		TAG PLATE- (REAR BRAKE ROD)	1	350 & 500	

13-10 BRAKE PEDAL, FOOTRESTS



14-10 FRONT HUB



A1
KEY NOS
ALL IN GROUPS
14-1D AND 14-20

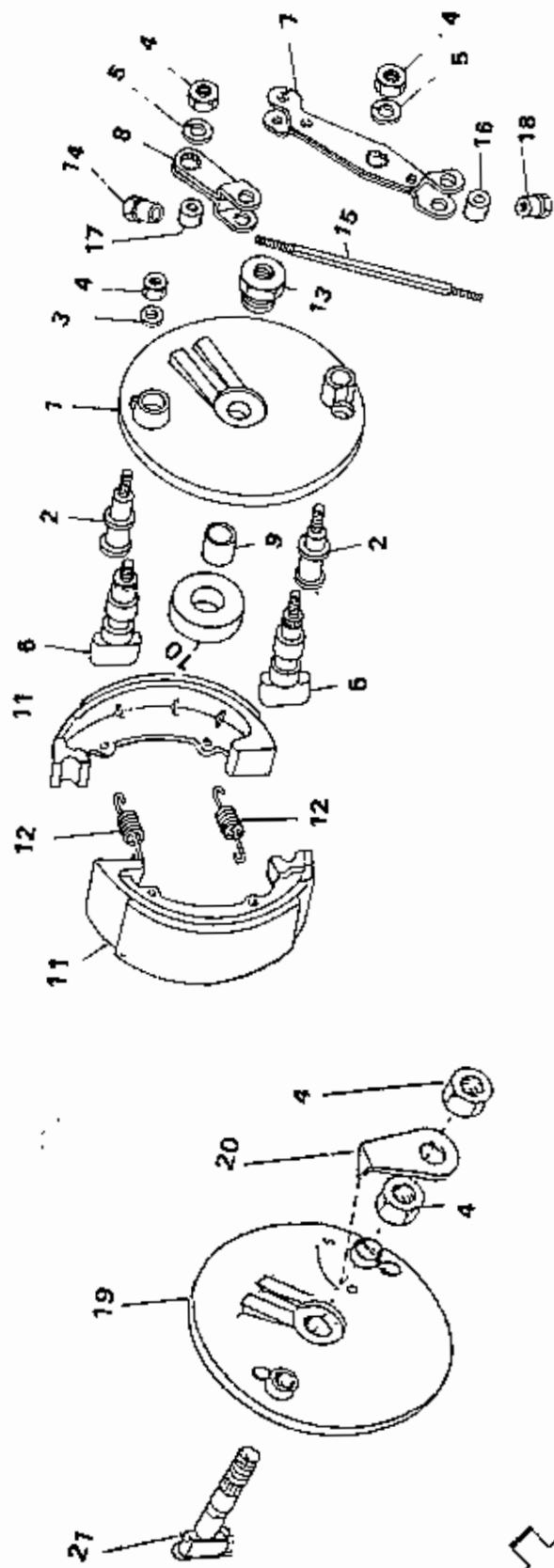
A2
KEY NOS
ALL IN GROUP 14-10
EXCEPT 1,2,3,4
AND
ALL IN GROUP 14-20



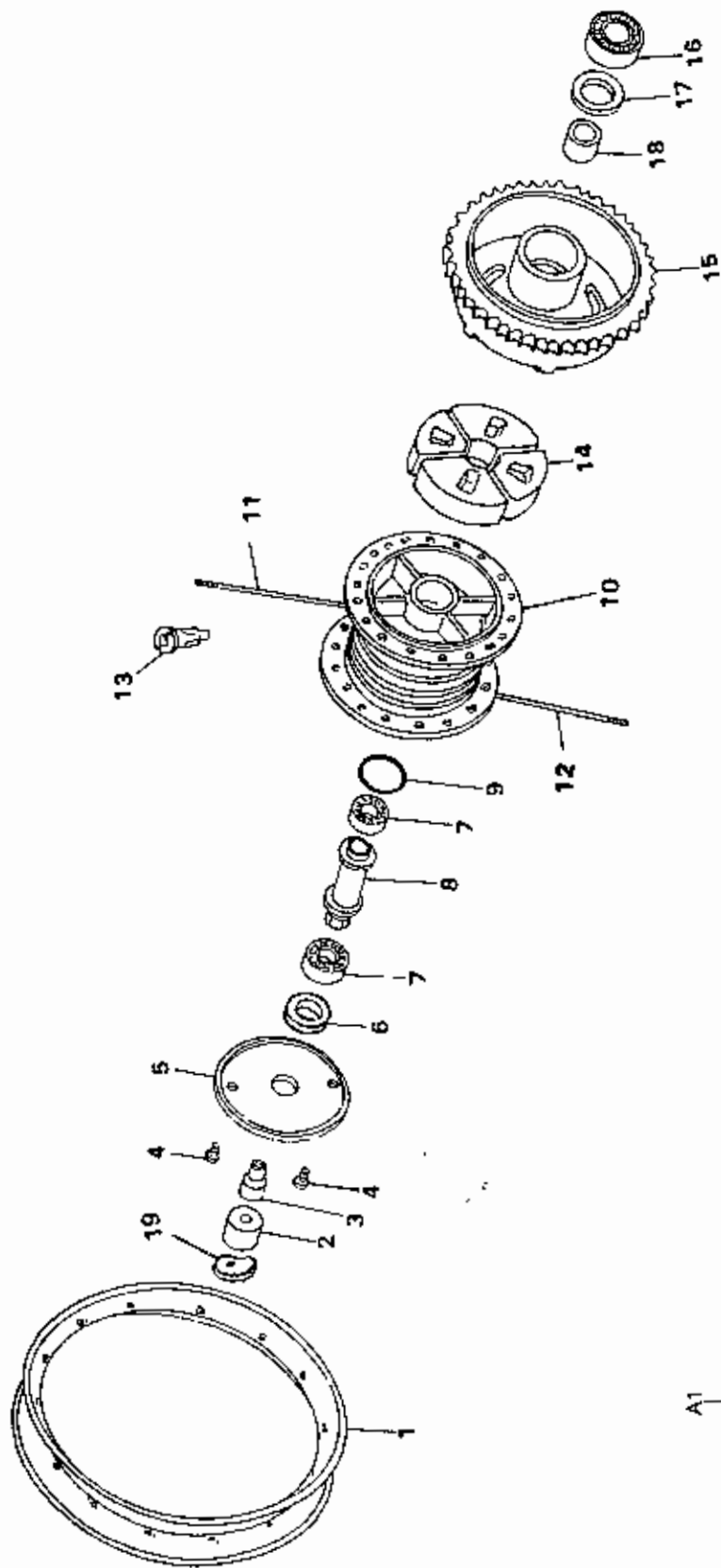
14-20 FRONT BRAKE

A1

KEY NOS
1 TO 18



15-10 REAR HUB



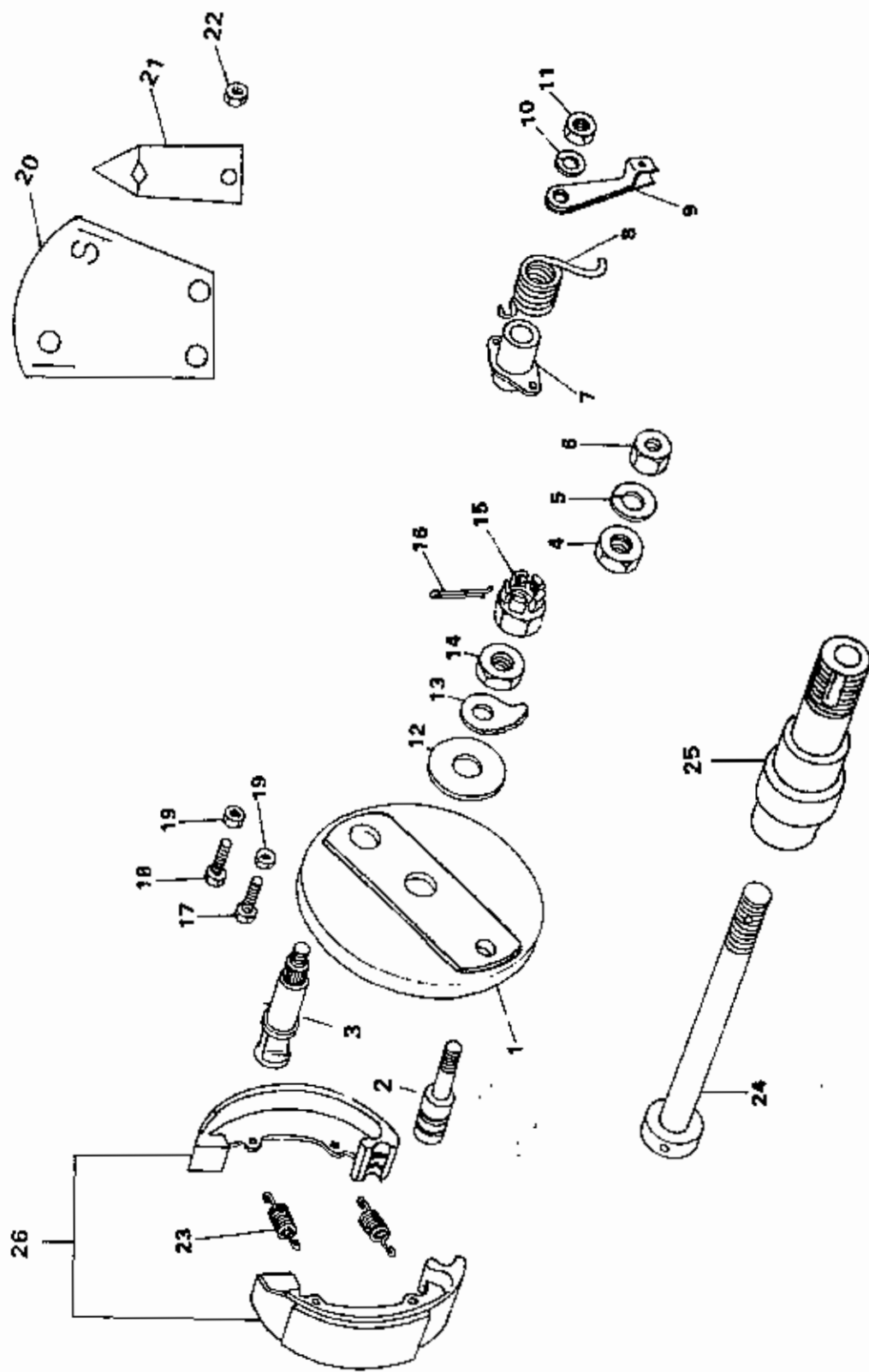
A1
KEY NO.
ALL IN GROUP
15-10 AND 15-20

A2
KEY NOS
ALL IN GROUP 15 - 10
EXCEPT 1, 11, 12, 13
AND
ALL IN GROUP 15-20



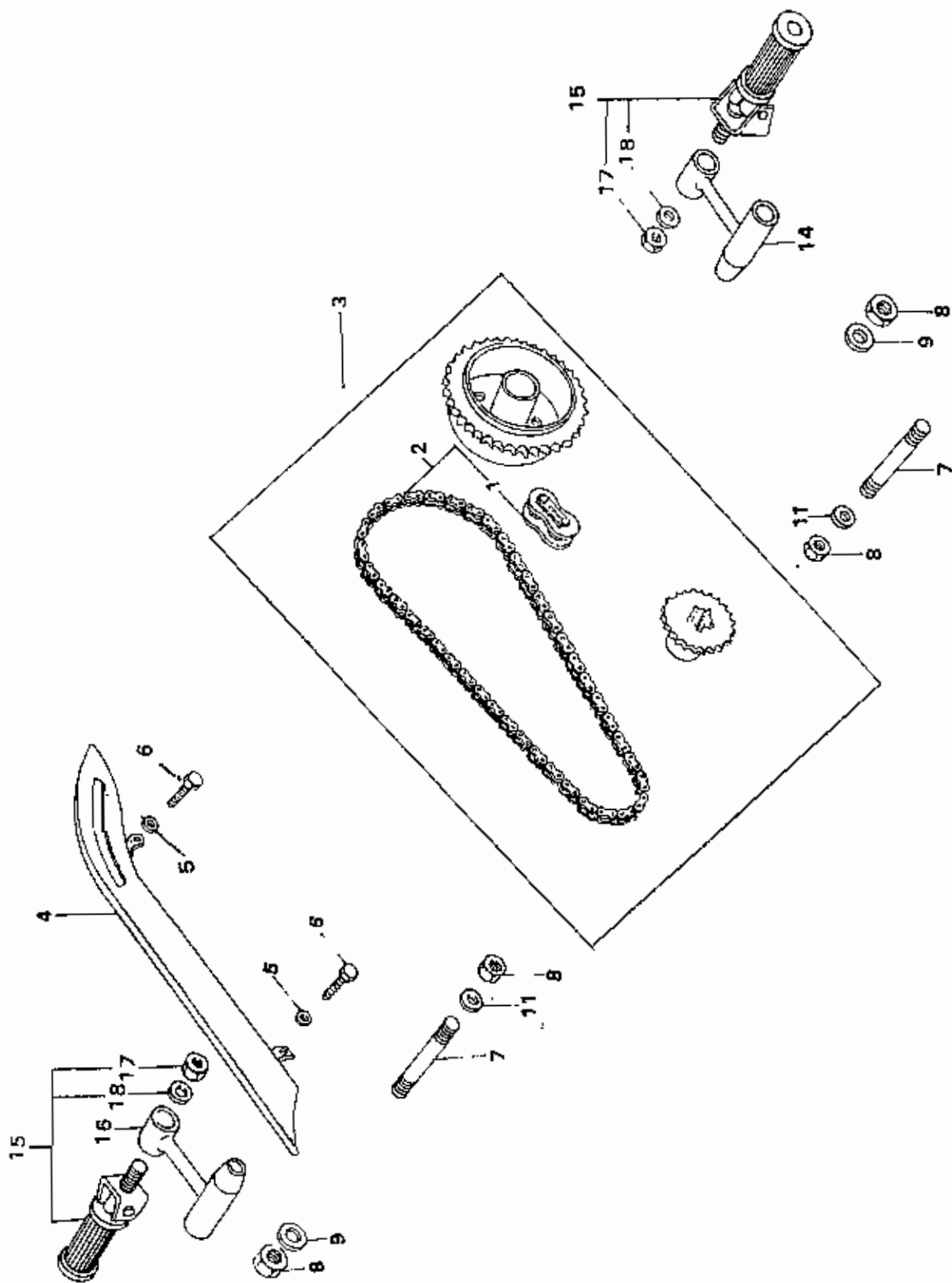
KEY NEW PART/OLD PART		DESCRIPTION	QTY	MODEL	REMARKS
NO. NUMBER	NUMBER			350/500 & 536 CC	
A1	144657	REAR WHEEL ASSEMBLY	1	350 & 500	EXCEPT USA
	144726	REAR WHEEL ASSEMBLY	1		FOR USA/CANADA ONLY
A2	142347	REAR HUB ASSY W/O RIM AND SPOKES	1	350 & 500	EXCEPT USA
	144726	REAR HUB CW W WEAR INDICATOR	1	350 & 500	FOR USA/CANADA ONLY
1	141133	WHEEL RIM WM2-19	1	350 & 500	
2	141121	DISTANT PIECE-REAR HUB	1	350 & 500	
3	141119	DISTANCE COLLAR-REAR HUB	1	350 & 500	
4	124539	SCREW-REAR HUB COVER	2	350 & 500	
5	1804005	COVER-REAR HUB	1	350 & 500	
6	141109	GREASE SEAL	1	350 & 500	
7	124316	BEARING 6203 ZZ FOR WHEEL	2	350 & 500	
8	141105	SPACER ASSEMBLY	1	350 & 500	
9	141110	O RING- REAR HUB	1	350 & 500	
10	804006	HUB REAR	1	350 & 500	
11	143790	SPOKES INNER REAR WHEEL	20	350 & 500	
12	143792	SPOKES OUTER REAR WHEEL	20	350 & 500	
13	143885	SPOKE NIPPLES	40	350 & 500	
14	144471	CUSH RUBBER-REAR HUB	4	350 & 500	
15	801041	SPROCKET-DRUM REAR WHEEL	1	350 & 500	
16	141112	BEARING 6005 - REAR HUB	1	350 & 500	
17	141113	GREASE SEAL-REAR HUB	1	350 & 500	
18	141115	DISTANCE COLLAR- REAR HUB	1	350 & 500	
19	144386	ADJUSTER RH- REAR CHAIN	1	350 & 500	
20	141768	REAR TYRE - STUDDERD - 3.50 x 19	1	350 & 500	FOR REGULAR ONLY
21	141769	PNEUMATIC TUBE FOR ABOVE	1	350 & 500	FOR REGULAR ONLY
22	140355	RIM TAPE	1	350 & 500	

15-20 REAR BRAKE



KEY/NEW PART/OLD PART NO. NUMBER NUMBER	DESCRIPTION	QTY	MODEL	REMARKS
1 801042	COVER PLATE-REAR BRAKE	1	350/500 & 535 CC	
2 110283	REAR BRAKE SHOE PIN	1	350 & 500	
3 143042	REAR BRAKE OP.CAM(TO USE WITH 143039)	1	350 & 500	FOR USA/CANADA ONLY
3 153654	REAR BRAKE CAM	1	350 & 500	EXCEPT USA
4 110284	REAR BRAKE SHOE PIN LOCK NUT	1	350 & 500	
5 110366	WASHER-REAR BRAKE ANCHOR PIN	1	350 & 500	
6 140380	NUT- REAR BRAKE ANCHOR PIN	1	350 & 500	
7 801040	REAR BRAKE CAM BUSH	1	350 & 500	
8 801039	REAR BRAKE RETURN SPRING	1	350 & 500	
9 110287	REAR BRAKE OPERATING LEVER COMPLETE	1	350 & 500	
10 140376	WASHER	1	350 & 500	
11 140384	NUT	1	350 & 500	
12 141130	DISTANCE COLLAR-REAR WHEEL	1	350 & 500	
13 144387	ADJUSTER LH- REAR CHAIN	1	350 & 500	
14 141127	NUT-REAR HUB SPINDLE SHORT	1	350 & 500	
15 141128	CASTLE NUT-REAR HUB SPINDLE LONG	1	350 & 500	
16 141129	SPLIT PIN-CASTLE NUT	1	350 & 500	
17 110282	REAR BRAKE CAM BUSH PIN LONG	1	350 & 500	
18 110286	REAR BRAKE CAM BUSH PIN SHORT	1	350 & 500	
19 140369	NUT	2	350 & 500	
20 143040	REAR BRAKE WEAR INDICATOR PLATE (USE -WITH 143039)	1	350 & 500	
21 143041	WEAR INDICATOR REAR(TO USE WITH 143039)	1	350 & 500	
22 143416	NUT-REAR BRAKE LEVER(TO USE WITH 143039)	1	350 & 500	
23 124313	SPRING - REAR BRAKE SHOE	2	350 & 500	
24 141108	SPINDLE-REAR HUB	1	350 & 500	
25 141114	SPINDLE SHORT - REAR HUB	1	350 & 500	
26 144274	REAR BRAKE SHOW C/W LINING (PAIR)	2	350 & 500	ONLY FOR EUROPE/USA

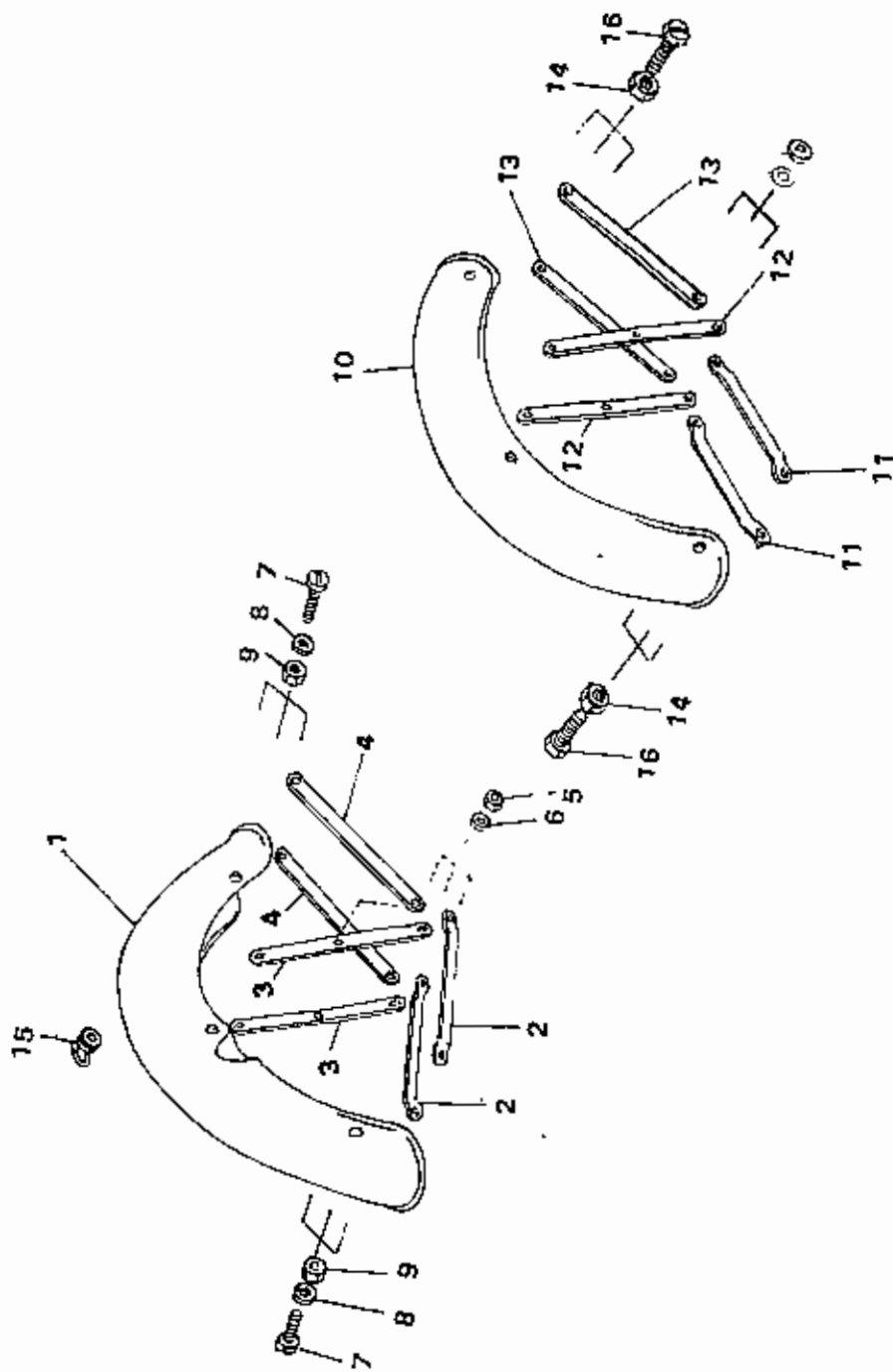
16-10 REAR CHAIN AND FOOTRESTS



17-10 FRONT MUDGUARD

A1

KEY NO
1, 2, 3, 4
EACH (2) NOS

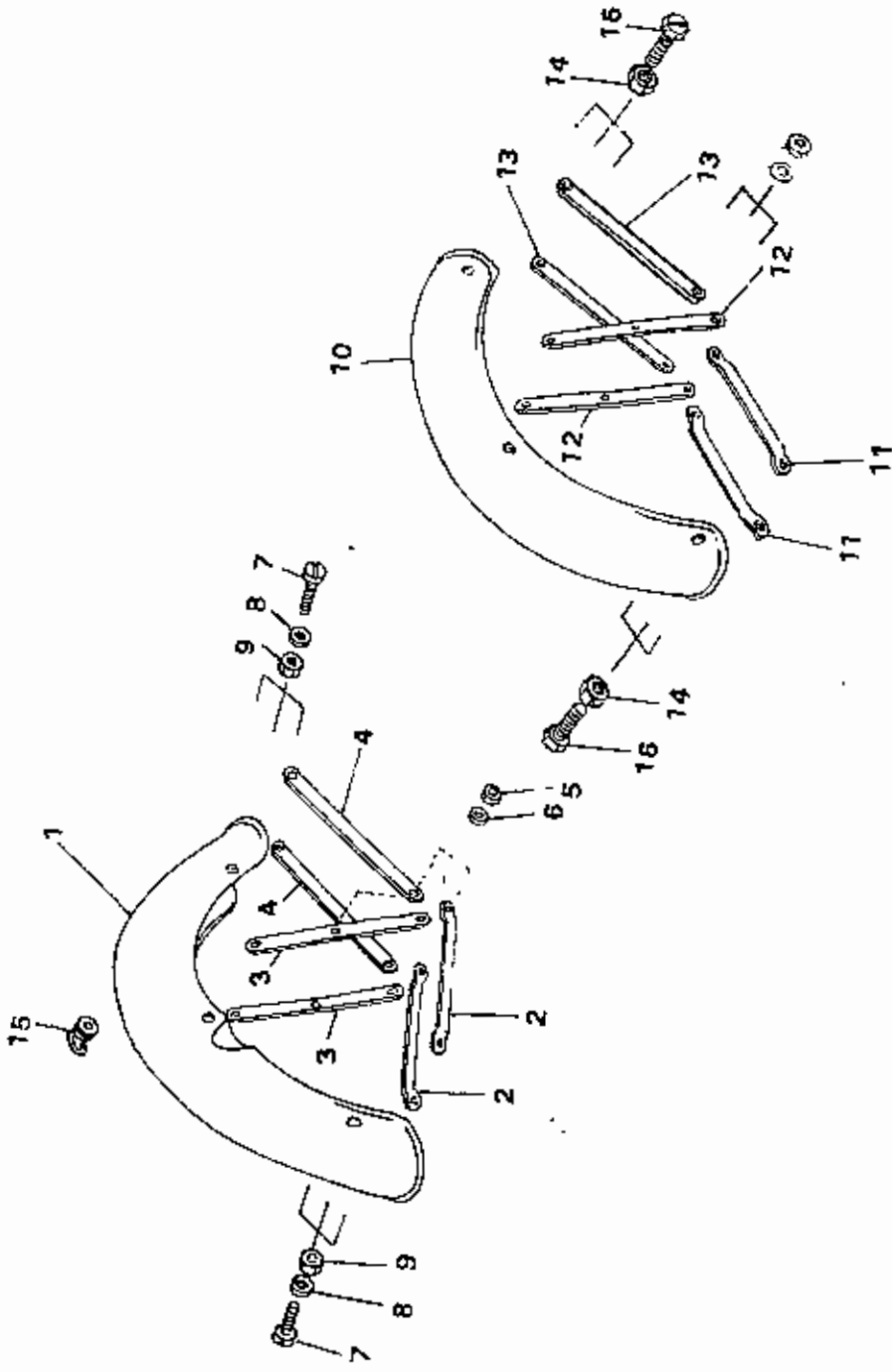


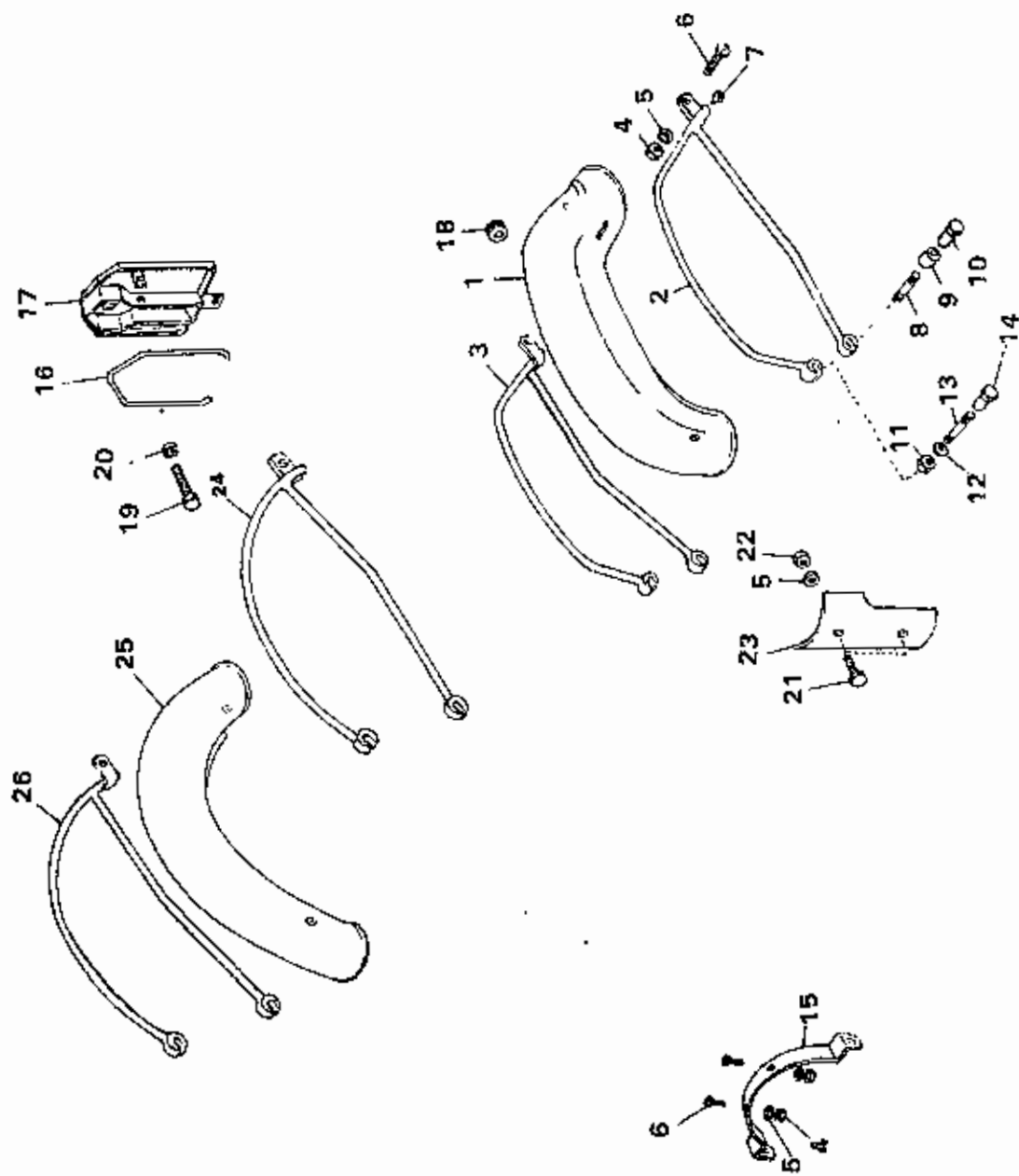
KEY NEW PART		OLD PART		DESCRIPTION	QTY	MODEL	REMARKS
NO.	NUMBER	NO.	NUMBER				
A1	111718			FT MUDGUARD C/W STAYS PAINTED *	1	350	
	112151			FRONT MUDGUARD C/W STAYS PAINTED *	1	500	
A2	111717			FT MUDGUARD C/W STAYS PLATED	1	350	
	112152			FRONT MUDGUARD C/W STAYS PLATED *	1	500	
	801046	111733		FRONT MUDGUARD PAINTED (ALT 143099) BLACK	1	350	
1	811011			FRONT MUDGUARD PAINTED (ALT 143099) V.GREEN	1	350	
	806035			FRONT MUDGUARD PAINTED (ALT 143099) A.GREY	1	350	
	111732			FRONT MUDGUARD PLATED (ALT 143098)	1	350	
	801043			FT M.GUARD STAY-FRT (PAINTED)*(ALT 112182) BLACK	2	350	
2	806032	110393		FT M.GUARD STAY-FRT (PAINTED)*(ALT 112182) A.GREY	2	350	
	811008			FT M.GUARD STAY-FRT (PAINTED)*(ALT 112182) V. GREEN	2	350	
	110823			FT M.GUARD STAY-FRT (PLATED) (ALT 112183)	2	350	
	801044			FT M.GUARD STAY-CENTRE (PAINTED)*(112184) BLACK	2	350	
3	806033	110394		FT M.GUARD STAY-CENTRE (PAINTED)*(112184) A.GREY	2	350	
	811009			FT M.GUARD STAY-CENTRE (PAINTED)*(112184) V.GREEN	2	350	
	110824			FT M.GUARD STAY-CENTRE (PLATED) (112185)	2	350	
	801045			FT M.GUARD STAY-REAR (PAINTED)*(112186) BLACK	2	350	
4	806034	110395		FT M.GUARD STAY-REAR (PAINTED)*(112186) A.GREY	2	350	
	811010			FT M.GUARD STAY-REAR (PAINTED)*(112186) V.GREEN	2	350	
	110825			FT M.GUARD STAY-REAR (PLATED) (112187)	2	350	
5	141306	140191		NUT	6	350 & 500	
6	140147			WASHER-SHAKE PROOF	6	350 & 500	
7	153355			SCREW	6	350	
8	140129			WASHER	6	350	
9	140126			NUT	6	350	

17-10 FRONT MUDGUARD

A1

KEY NO
1, 2, 3, 4
EACH (2) NOS

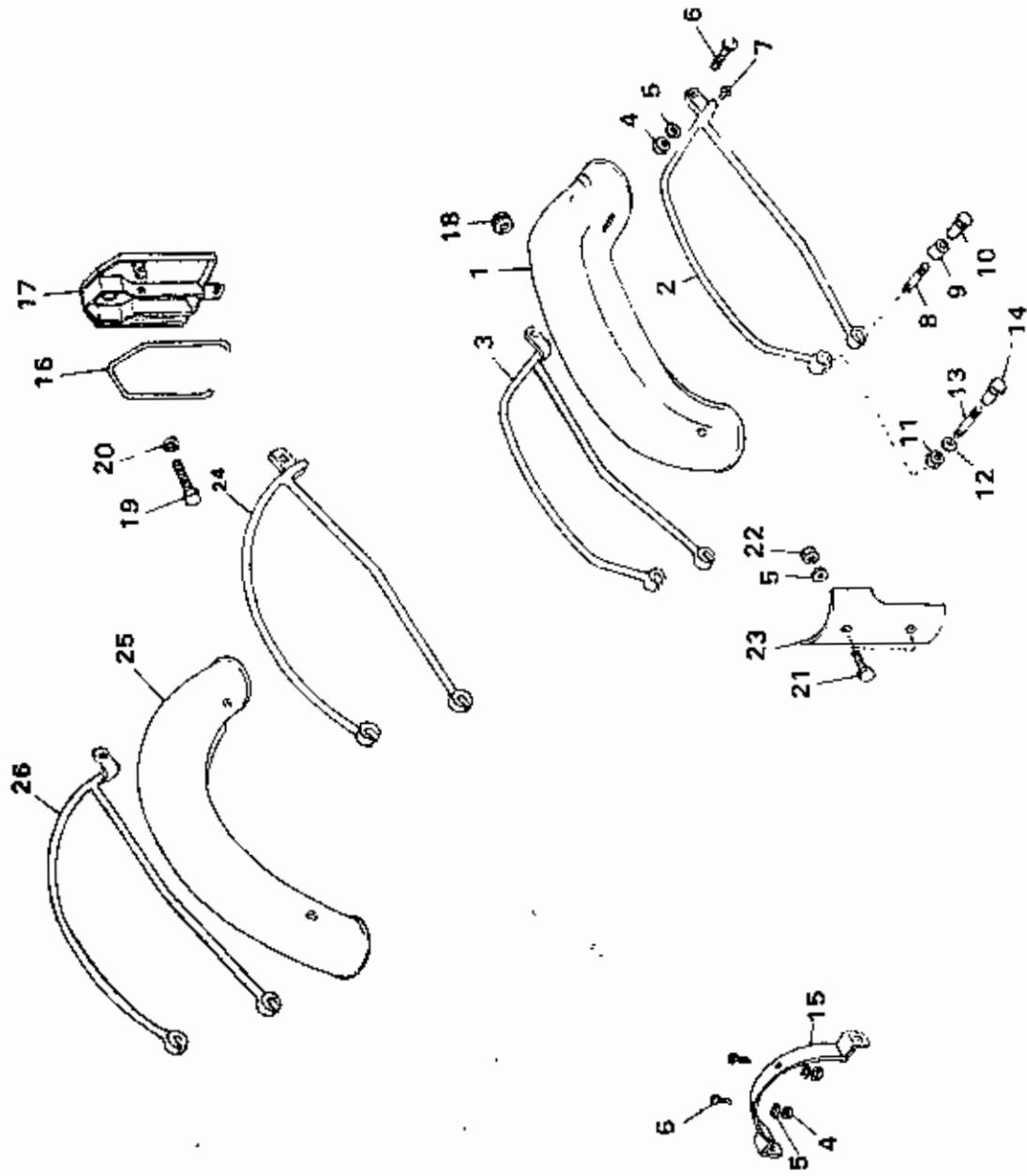


18-10 REAR MUDGUARD

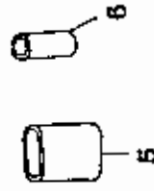
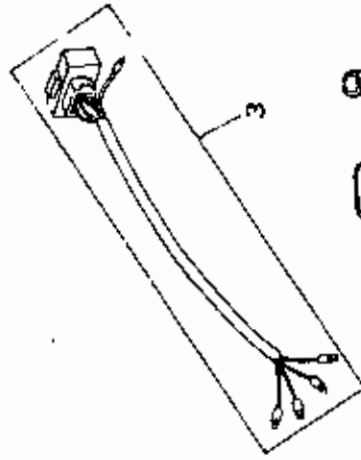
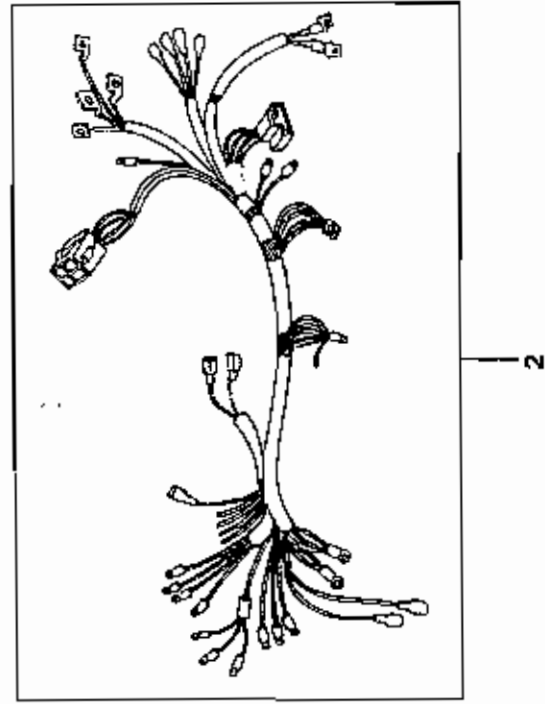
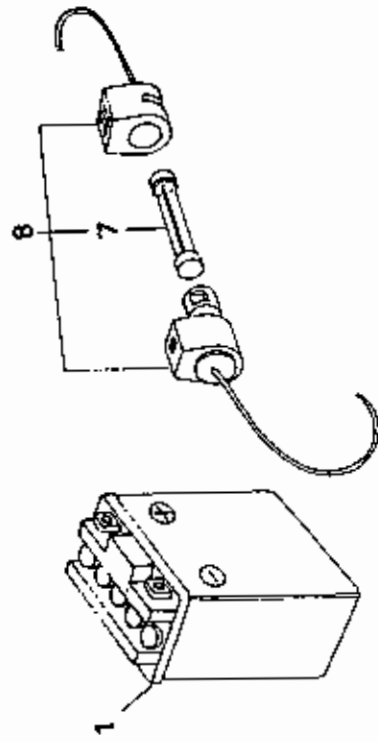
KEY NEW PART OLD PART		DESCRIPTION	QTY	MODEL	REMARKS
NO. NUMBER	NUMBER				
	801049	REAR MUDGUARD-PAINTED BLACK	1	350/500 & 535 CC	
	811012	REAR MUDGUARD-PAINTED V.GREEN	1	350	
1	802017	REAR MUDGUARD-PAINTED RED	1	350	
	803031	REAR MUDGUARD-PAINTED BLUE	1	350	
	806040	REAR MUDGUARD-PAINTED A.GREY	1	350	
	141773	REAR MUDGUARD, PLATED	1	350	
2	801048	REAR MUDGUARD CARRIER L H BLACK	1	350	
	802008	REAR MUDGUARD CARRIER L H RED	1	350	
	803008	REAR MUDGUARD CARRIER L H BLUE	1	350	
	801047	REAR MUDGUARD CARRIER R H BLACK	1	350	
3	802007	REAR MUDGUARD CARRIER R H RED	1	350	
	803007	REAR MUDGUARD CARRIER R H BLUE	1	350	
4	140126	NUT - REAR MUDGUARD	4	350 & 500	
5	140129	WASHER	6	350 & 500	
6	153355	SCREW - STAY FIXED MUDGUARD/BRIDGE PLATE	4	350 & 500	
7	110163	RUBBER PLUG - MUDGUARD CARRIER	2	350 & 500	
8	110694	STUD - REAR MUDGUARD CARRIER BOTTOM	2	350 & 500	
9	110695	DISTANCE PIECE REAR MUDGUARD CARRIER	2	350 & 500	
10	110353	NUT - MUDGUARD CARRIER	2	350 & 500	
11	140302	NUT	2	350 & 500	
12	140293	WASHER 3/8"	2	350 & 500	
13	110351	STUD -REAR MUDGUARD CARRIER	2	350 & 500	
14	140402	NUT-MUDGUARD CARRIER	2	350 & 500	
15	801050	BRIDGE PLATE-REAR MUDGUARD CARRIER	1	350	
15	801065	BRIDGE PLATE-REAR MUDGUAD CARRIER	1	500	
16	141844	BEADING-REAR NUMBER PLATE	1	350 & 500	
	801176	REAR NUMBER PLATE	1	350	FOR USA/CANADA ONLY
	801175	REAR NUMBER PLATE	1	500	FOR USA/CANADA ONLY
17	801123	REAR NUMBER PLATE	1	350	FOR EUROPE ONLY
	801150	REAR NUMBER PLATE	1	500	FOR EUROPE ONLY
	143983	REAR NUMBER PLATE	1	350	FOR REGULAR ONLY
	143978	REAR NUMBER PLATE	1	500	FOR REGULAR ONLY

18 - 10 REAR MUDGUARD

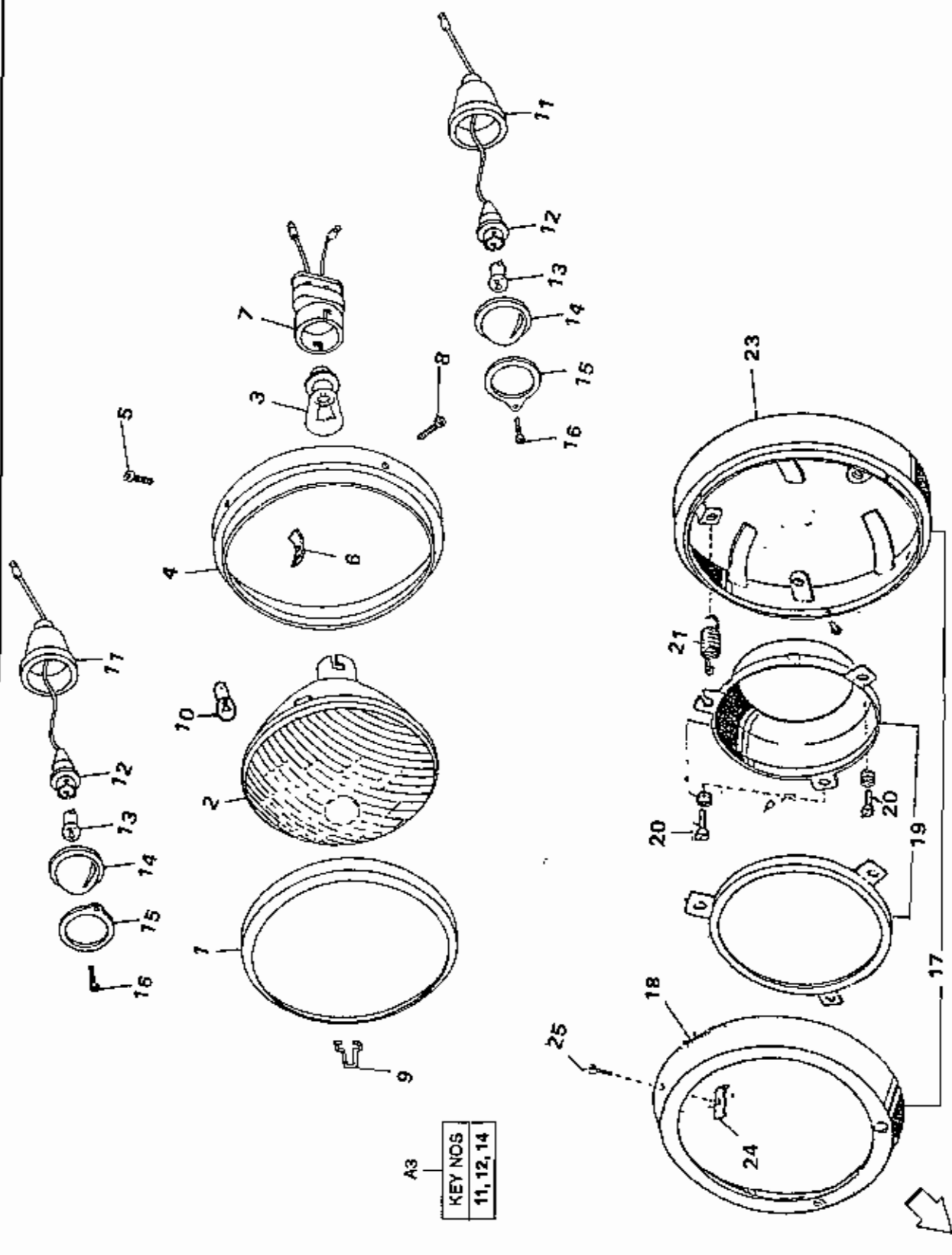
18-10 REAR MUDGUARD



19-10 BATTERY AND HARNESS



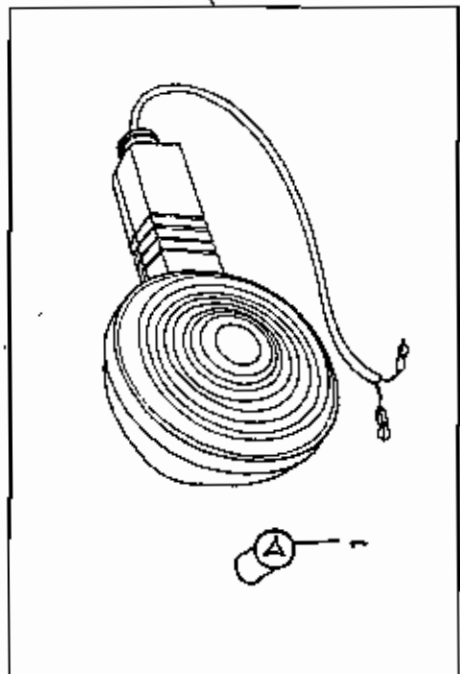
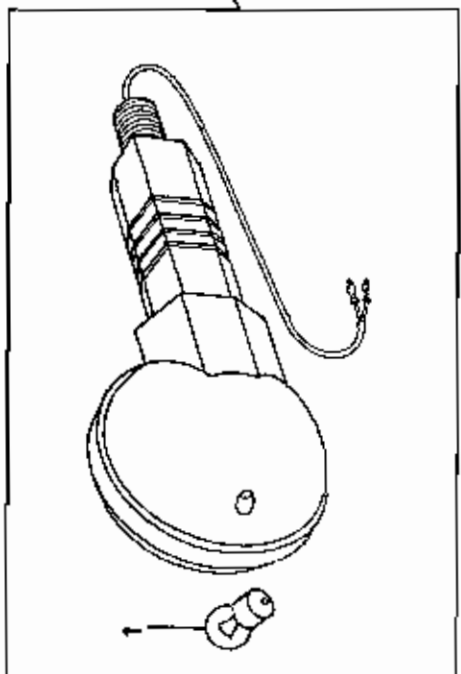
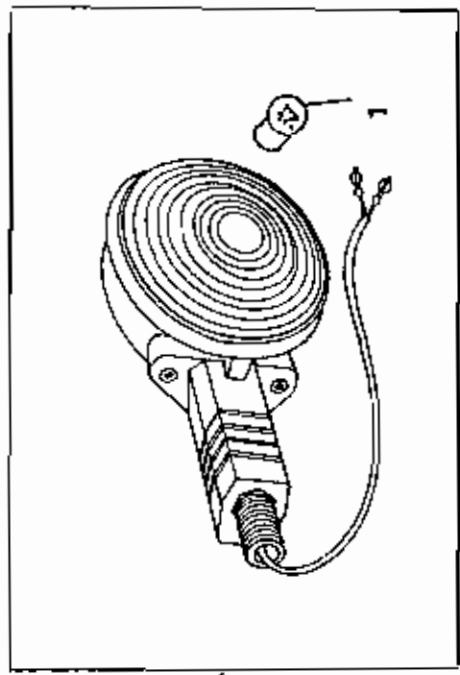
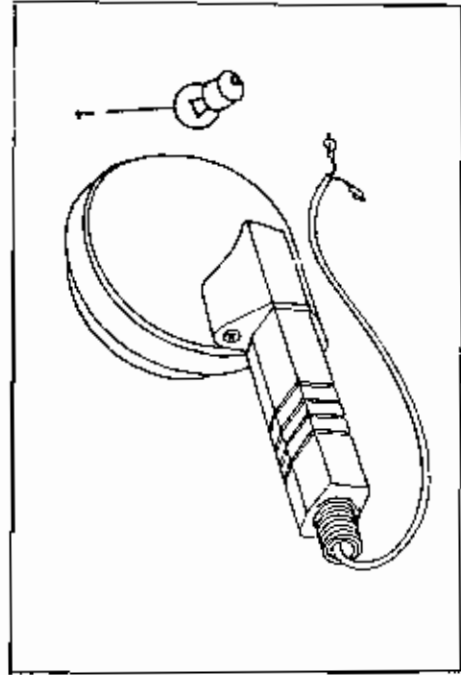
19-20 HEAD LAMP



KEY NEW PART OLD PART	DESCRIPTION	QTY	MODEL	REMARKS
NO. NUMBER	NUMBER			
	144114		350/500 & 635 CC	
1	142585	1	350/500 & 635 CC	FOR ALL MODELS AFTER JUNE 99
	143678	1	350 & 500	FOR ALL MODELS BEFORE JUNE 99
	140844	1	350 & 500	FOR USA/CAN BEFORE JUNE 99
2	141485	1	350 & 500	FOR REGULAR ONLY BEFORE JUNE 99
	140248	1	350 & 500	FOR EUROPE ONLY BEFORE JUNE 99
3	143179	1	350 & 500	
4	144349	1	350 & 500	FOR REGULAR ONLY BEFORE JUNE 99
6	142774	1	350/500 & 635 CC	FOR ALL MODELS AFTER JUNE 99
7	112240	1	350 & 500	FOR ALL MODELS BEFORE JUNE 99
9	124559	1	350 & 500	
10	141093	1	350 & 500	
11	140129	2	350 & 500	
12	141060	2	350 & 500	
13	141148	1	350	FOR REGULAR ONLY
13	142475	1	500	FOR REGULAR ONLY
13	142585	1	350	EXCEPT REGULAR
13	142773	1	500	EXCEPT REGULAR
14	150566	1	350 & 500	
14	142586	1	350 & 500	EXCEPT REGULAR
15	140149	1	350 & 500	
16	140438	1	350 & 500	
17	141732	1	350 & 500	FOR ALL MODELS AFTER JUNE 99
19	801105	1	500	
20	142274	3	500	
21	140127	3	350 & 500	
22	112241	1	350 & 500	
23	112242	1	350 & 500	
24	141862	2	350 & 500	
25	142023	2	500	
26	142309	1	500	FOR EUR/JAP MODELS BEFORE JUNE 99
27	142528	2	500	
28	142806	2	350 & 500	
29	500809	1	350/500 & 635 CC	FOR ALL MODELS AFTER JUNE 99
	143893	1	350 & 500	FOR ALL MODELS BEFORE JUNE 99
30	143894	1	350 & 500	FOR ALL MODELS BEFORE JUNE 99
31	143777	1	350/500 & 635 CC	FOR ALL MODELS AFTER JUNE 99
32	144519	1	350/500 & 635 CC	FOR ALL MODELS AFTER JUNE 99

19 - 50 SWITCHES AND FITMENTS

19-60 TRAFFICATOR LIGHTS



2

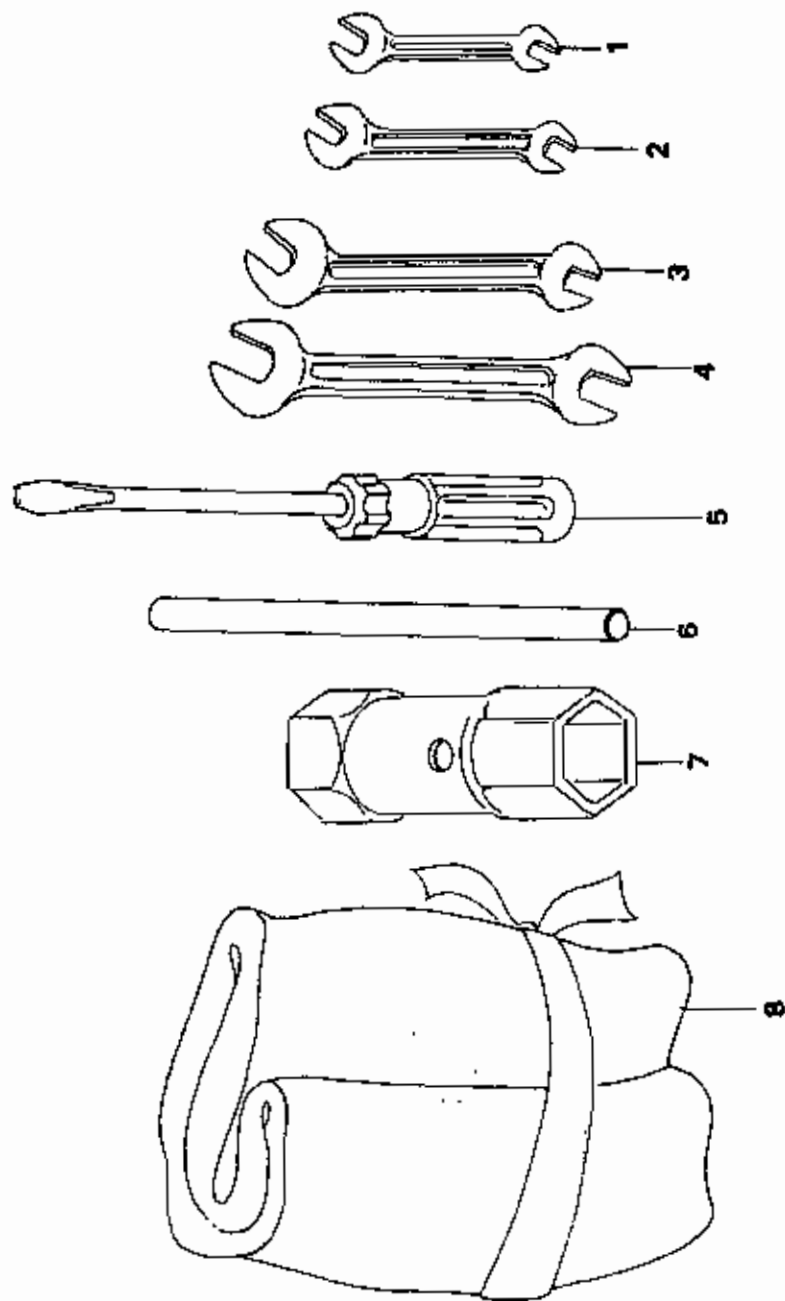
2



20-10 TOOLKIT

A1

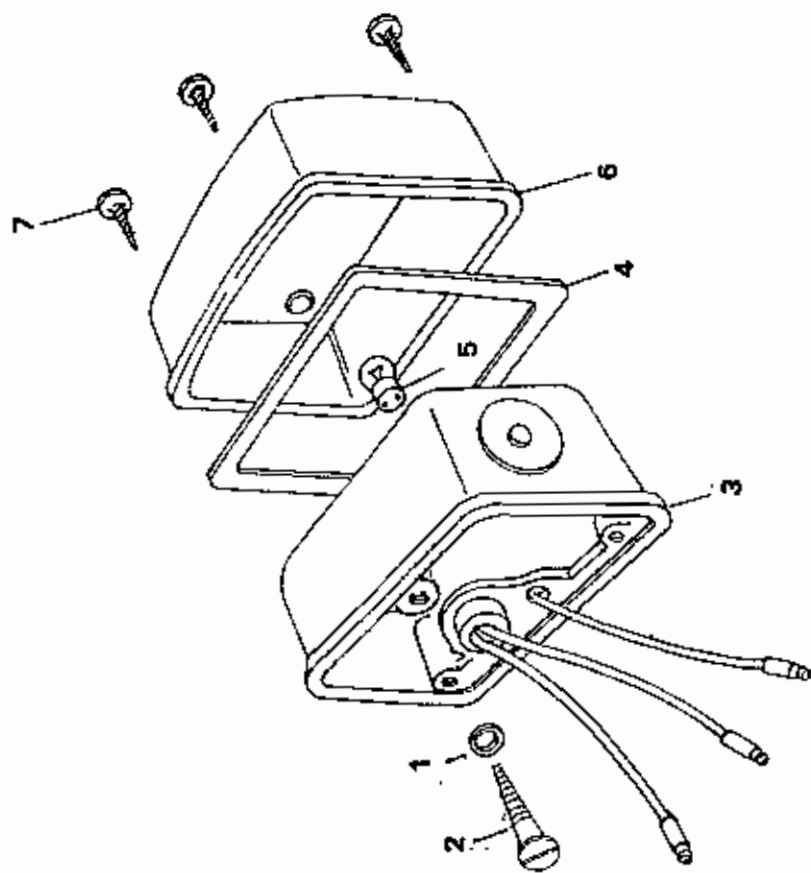
KEY NOS
1 TO 8



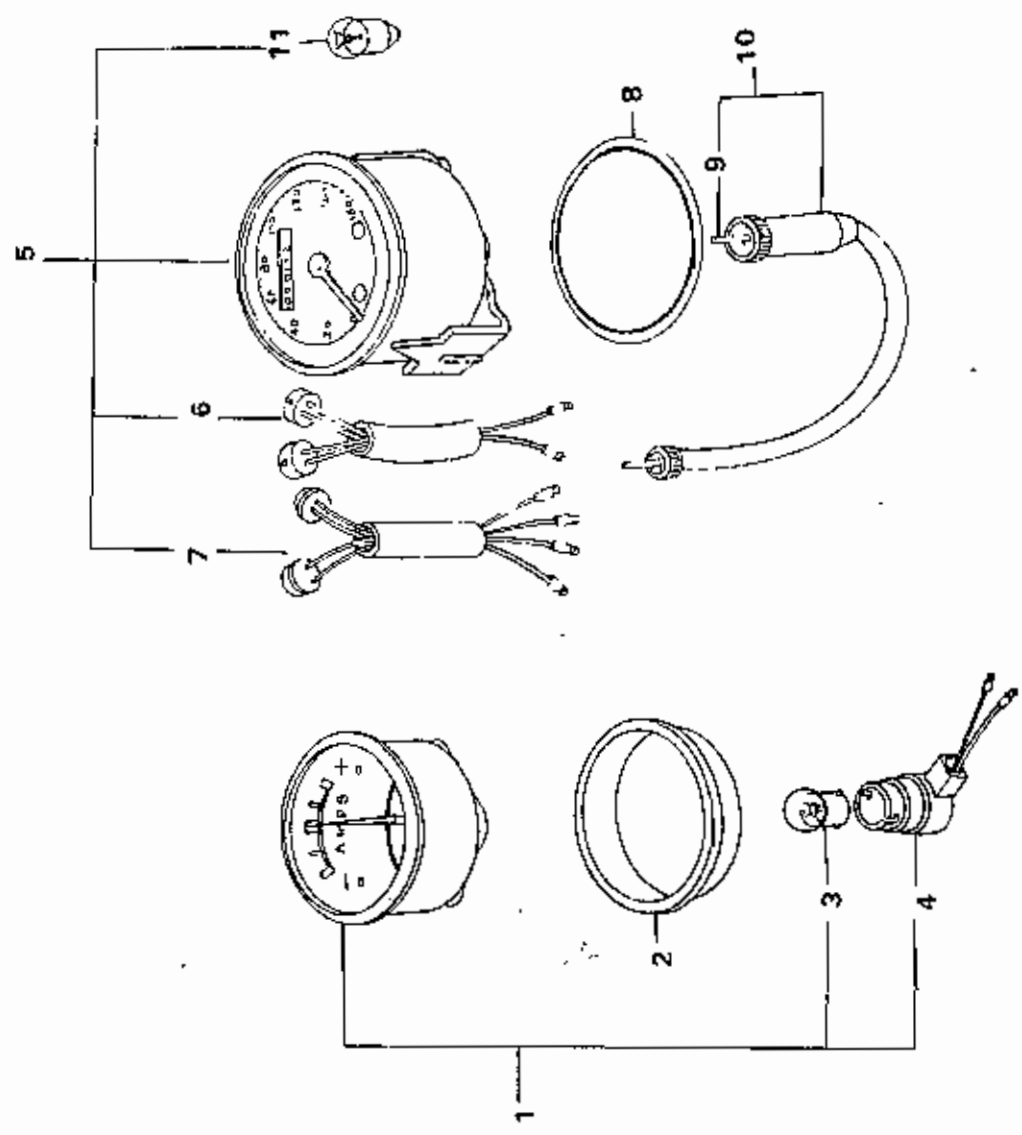
KEY/NEW PART/OLD PART	NO. NUMBER		DESCRIPTION	QTY	MODEL	REMARKS
A3	140871	141710	PILOT LAMP ASSY LESS BULB	2	350/500 & 535 CC	
	144372		PILOT LAMP ASSY WITH BULB	2	350/ 500 & 535 CC	FOR ALL MODELS BEFORE JUNE99 FOR ALL MODELS AFTER JUNE99
1	141632	141034	FRONT RIM	1	350 & 500	FOR REGULAR/EUROPE ONLY
2	143393		HEAD LAMP UNIT - LH BEAM 1245	1	350 & 500	FOR REGULAR/EUROPE ONLY
	143394		HEAD LAMP UNIT - RH BEAM 1255	1	350 & 500	FOR REGULAR/EUROPE ONLY
3	142759		BULB 12-50/40 W (HEAD LAMP)	1	350 & 500	FOR REGULAR/EUROPE ONLY
4	140741	141033	RIM - FIXING	1	350 & 500	FOR REGULAR/EUROPE ONLY
5	141635	141037	HEADLAMP RIM FIXING SCREW	1	350 & 500	
6	141636	141036	HEADLAMP RIM FIXING PLATE	1	350 & 500	
8	140247		SCREW-RIM FIXING	2	350 & 500	
9	141649	140711	CLIP- HEAD LAMP UNIT	6	350 & 500	
10	141715		BULB 12V - 2W	1	350 & 500	
11	140734		RUBBER MOUNTING - PILOT LIGHT (NOT SERVICEABLE)	2	350 & 500	
12	140733		HOLDER - PILOT LIGHT (NOT SERVICEABLE)	2	350 & 500	
13	141715		BULB 12V - 2W	2	350 & 500	
14	140226		LENS PILOT LAMP	2	350 & 500	
15	140732		PILOT LAMP FIXING RIM	2	350 & 500	
16	140247		SCREW-RIM FIXING	2	350 & 500	
17	143622		HEAD LAMP HOUSING LESS LIGHT UNIT	1	350 & 500	FOR USA/CANADA ONLY
18	143592		FRONT RIM	1	350 & 500	FOR USA/CANADA ONLY
19	143596		AIMING DEVICE	1	350 & 500	FOR USA/CANADA ONLY
20	143598		SCREW	2	350 & 500	FOR USA/CANADA ONLY
21	143599		SPRING	1	350 & 500	FOR USA/CANADA ONLY
22	143788		SPRING	1	350 & 500	FOR USA/CANADA ONLY
23	143593		FIXING RIM ASSEMBLY	1	350 & 500	FOR USA/CANADA ONLY
24	143624		RIM FIXING PLATE	1	350 & 500	FOR USA/CANADA ONLY
25	143625		RIM FIXING SCREW	1	350 & 500	FOR USA/CANADA ONLY

19 - 20 HEAD LAMP

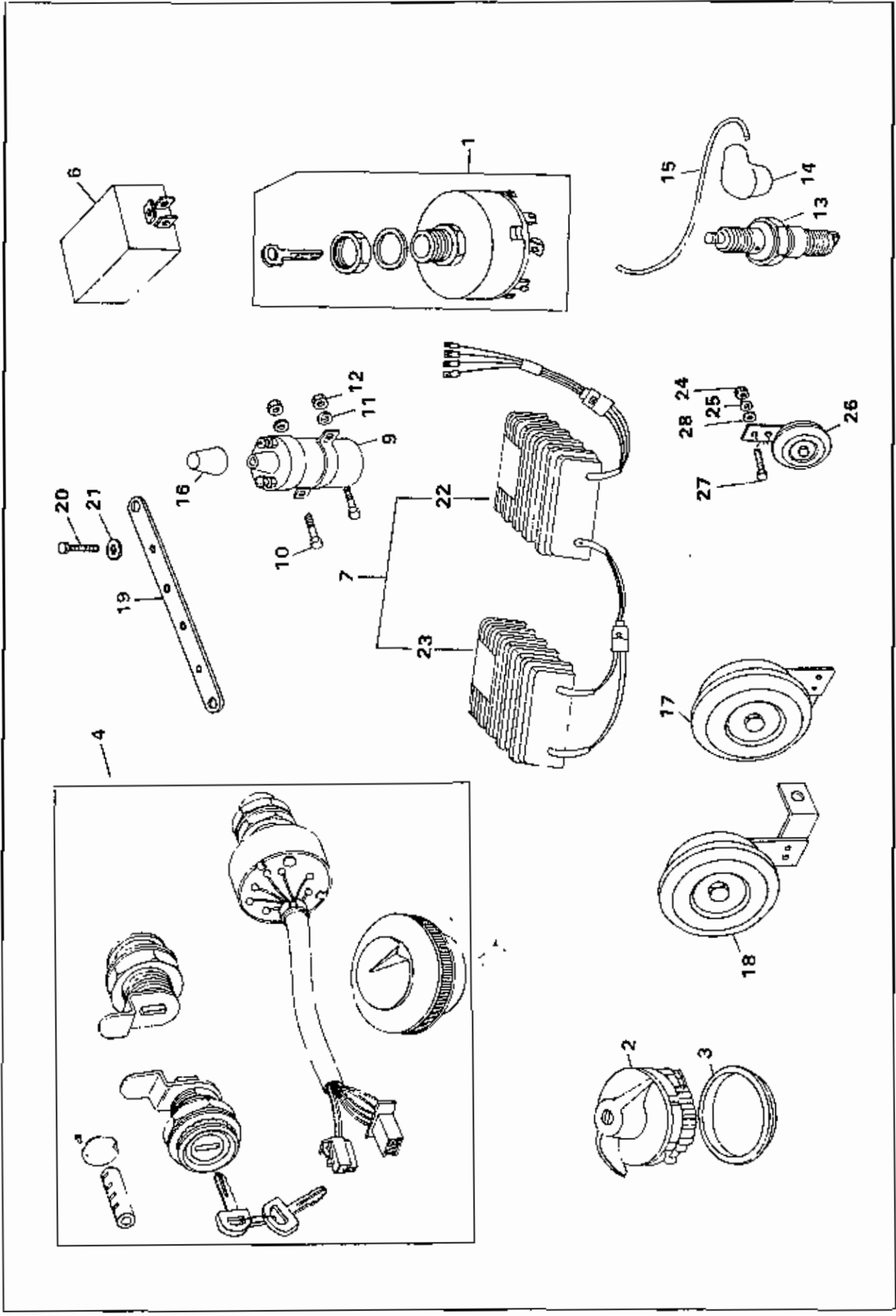
19-30 TAIL LAMP



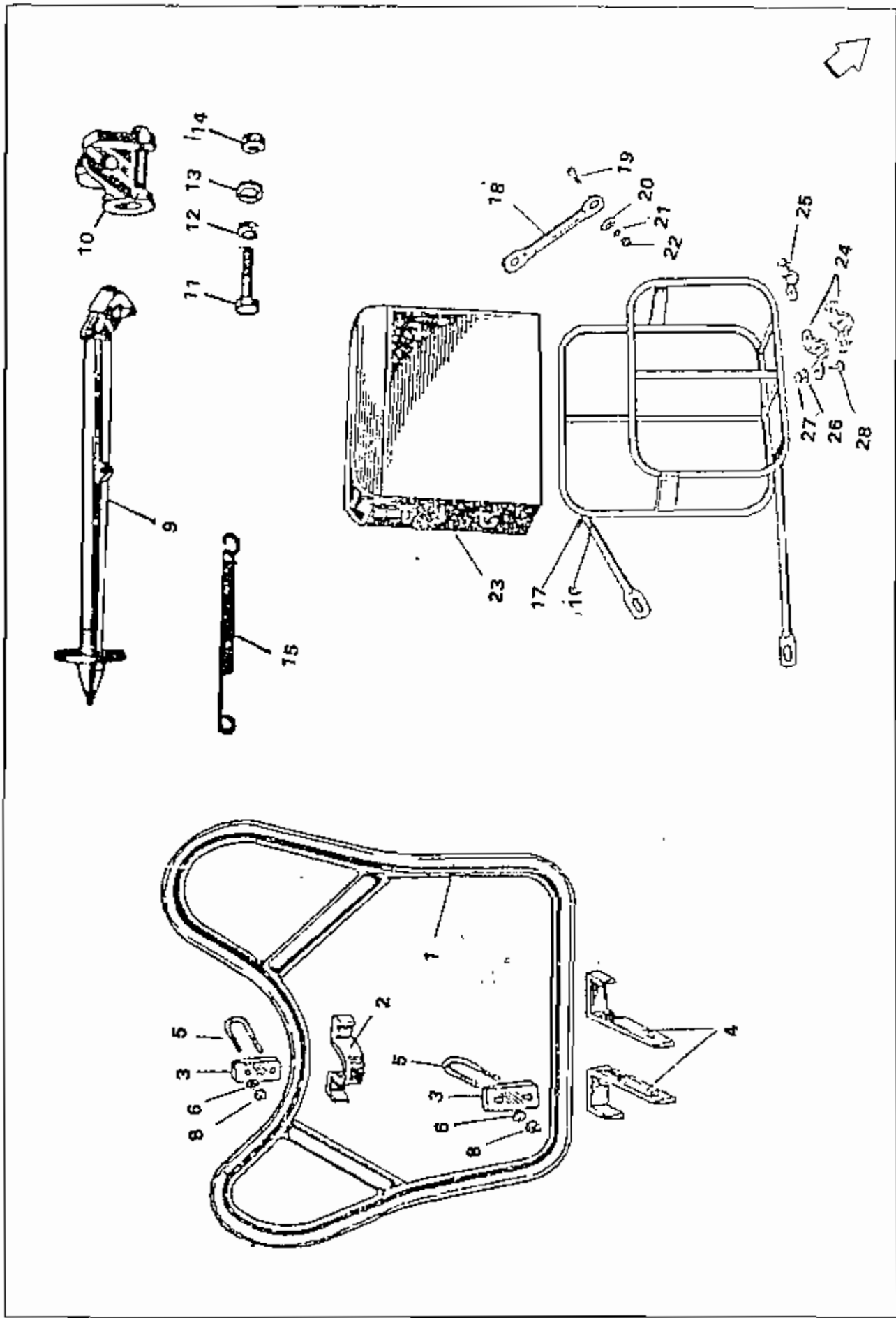
19-40 AMMETER AND SPEEDOMETER



19-50 SWITCHES AND FITMENTS



21 - 10 CRASH BAR, ARMY BAR, CARRIER, BOXES ETC.



KEY	NEW PART	OLD PART	DESCRIPTION	QTY	MODEL	REMARKS
NO.	NUMBER	NUMBER				
1	597018	111625	CRASH BAR ARMY TYPE ARMY OLIVE GREEN	1	350/500 & 535 CC	
	597034		CRASH BAR ARMY TYPE BLACK	1	350 & 500	
2	597019	111631	BRACKET TOP - CRASH BAR - ARMY TYPE OLIVE GREEN	1	350 & 500	
	597038		BRACKET TOP - CRASH BAR - ARMY TYPE BLACK	1	350 & 500	
3	597021	111632	STRAP CLAMP - CRASH BAR - ARMY TYPE OLIVE GREEN	4	350 & 500	
	597035		STRAP CLAMP - CRASH BAR - ARMY TYPE BLACK	4		
4	597020	111630	BRACKET BOTTOM - CRASH BAR - ARMY TYPE OLIVE GREEN	2	350 & 500	
	597037		BRACKET BOTTOM - CRASH BAR - ARMY TYPE BLACK	2		
5	111629		U CLAMP - CRASH BAR - ARMY TYPE	4	350 & 500	
	597036		U CLAMP - CRASH BAR - ARMY TYPE BLACK	4		
6	140168		WASHER - CRASH BAR - ARMY TYPE	8	350 & 500	
7	140147		WASHER SHAKE PROOF - CRASH BAR - ARMY TYPE	8	350 & 500	
8	141051		NUT - CRASH BAR - ARMY TYPE	8	350 & 500	
9	597022	140411	PROP STAND LEG - ARMY TYPE	1	350 & 500	
10	597023	1110377	PROP STAND BODY - ARMY TYPE	1	350 & 500	
11	110358		PIVOT PIN PROP STAND - ARMY TYPE	1	350 & 500	
12	110356		SPRING WASHER, PIVOT PIN PROP STAND	1	350 & 500	
13	110359		PLAIN WASHER, PIVOT PIN - PROP STAND	1	350 & 500	
14	110357		NUT, PIVOT PIN - PROP STAND	1	350 & 500	
15	110233		SPRING - PROP STAND	1	350 & 500	
	597028	111611	PANNIER CARRIER ASSY RH OLIVE GREEN	1	350 CC	
			PANNIER CARRIER ASSY RH BLACK	1	350 CC	
16	597030		PANNIER CARRIER ASSY RH OLIVE GREEN	1	500 cc	
	597032		PANNIER CARRIER ASSY RH BLACK	1	500 cc	
	597027	111612	PANNIER CARRIER ASSY LH OLIVE GREEN	1	350 CC	
			PANNIER CARRIER ASSY LH BLACK	1	350 CC	
17	597029		PANNIER CARRIER ASSY LH OLIVE GREEN	1	500 cc	
	597033		PANNIER CARRIER ASSY LH BLACK	1	500 cc	
18	597026	111617	PANNIER CARRIER REAR TIE OLIVE GREEN	1	350 & 500	
	597040		PANNIER CARRIER REAR TIE BLACK	1	350 & 500	
19	153355		SCREW - PANNIER CARRIER REAR TIE	2	350 & 500	
20	140143		WASHER - PANNIER CARRIER REAR TIE	2	350 & 500	
21	140129		WASHER - SHAKE PROOF	2	350 & 500	
22	140126		NUT - PANNIER CARRIER REAR TIE	2	350 & 500	
23	597024	111637	PANNIER CARRIER METAL BOX OLIVE GREEN	2	350 & 500	
	597031		PANNIER CARRIER METAL BOX BLACK	2	350 & 500	
24	111644		CLAMP - PANNIER CARRIER METAL BOX	4	350 & 500	
25	111661		PAD - METAL BOX CLAMP	4	350 & 500	
26	140129		WASHER - METAL BOX CLAMP	8	350 & 500	
27	141060		NUT - METAL BOX CLAMP	8	350 & 500	
28	124355		BOLT - METAL BOX CLAMP	8	350 & 500	

21 - 10 CRASH BAR, PANNIER CARRIERS AND PROP STAND FOR ARMY MODELS

PART NUMBER INDEX

NEW PART NO	OLD PART NO	KEY	PAGE NO	NEW PART NO	OLD PART NO	KEY	PAGE NO	NEW PART NO	OLD PART NO	KEY	PAGE NO	NEW PART NO	OLD PART NO	KEY	PAGE NO
110009		3	29	110256		13	81	110452			24	103			103
110037		3	21	110257		14	81	110498			12	103			103
110050		4	21	110258		12	81	110499			5	101			101
110052		5	21	110262		21	75	110572			10	101			101
110054		6	21	110263		17	77	110574			3	101			101
110056		20	43	110267		27	75	110643			2	123			123
110079		17	21	110278		14	129	110656			5	65			65
110081		19	39	110280		15	129	110663	141060		6	67			67
110082		4	29	110282		17	135	110694			8	143			143
110085	110024	1	27	110283		2	135	110695			9	143			143
110090		3	27	110284		4	135	110734			9	119			119
110091		4	27	110286		18	135	110823			2	139			139
110116		24	95	110287		9	135	110824			3	139			139
110119		1	85	110292		9	129	110825			4	139			139
110121		20	97	110293		10	129	110970			7	129			129
110127		6	93	110298		20	127	111050			1	73			73
110157		16	107	110300		2	125	111053			28	79			79
110158		17	107	110320		28	39	111054			27	79			79
110161		22	107	110333		1	137	111054			2	81			81
110161		18	145	110334		11	129	111060			30	79			79
110161	110162	27	145	110351		13	143	111062			33	79			79
110163		7	143	110353		10	143	111069			15	75			75
110170		18	125	110356		15	121	111070			19	75			75
110179		8	153	110358		12	161	111072			24	79			79
110201		17	43	110357		16	121	111073			7	73			73
110202		3	23	110357		14	161	111074			5	73			73
110203		18	81	110358		17	121	111075			6	73			73
110203		13	121	110358		11	161	111076			8	73			73
110210		10	115	110359		18	121	111077			9	73			73
110215		13	115	110359		13	161	111078			10	73			73
110220		29	117	110360		7	137	111079			16	75			75
110220	111810	5	123	110365		8	137	111083			26	75			75
110221		21	43	110366		5	135	111084			2	73			73
110233		14	121	110366		9	137	111085			3	73			73
110233		15	161	110403	110452	6	101	111086			29	75			75
110250		20	49	110405		16	103	111092			23	77			77
110253		11	77	110406		17	103	111093			22	77			77
110255		6	81	110422		26	103	111094			25	75			75

NEW PART NO	OLD PART NO	KEY	PAGE NO	NEW PART NO	OLD PART NO	KEY	PAGE NO	NEW PART NO	OLD PART NO	KEY	PAGE NO	NEW PART NO	OLD PART NO	KEY	PAGE NO
111096		24	75	111168		21	77	111914		25	83				
111102		18	77	111171		35	79	112011		2	137				
111102		32	83	111185		1	47	112020		22	81				
111103		20	77	111189		27	75	112024		A1	81				
111103		10	81	111196		7	81	112027		34	79				
111104		11	81	111201		3	123	112029	111100	39	79				
111105		15	81	111229	112229	46	117	112049		7	15				
111107		9	81	111263		10	141	112050		8	15				
111108		3	77	111264		11	141	112052		2	27				
111109		A1	77	111265		12	141	112053		2	27				
111110		4	77	111266		13	141	112055		1	17				
111113		5	77	111334		7	43	112055		A1	47				
111114		A2	77	111375		1	125	112056		1	15				
111115		9	77	111376		16	125	112075		2	15				
111116		8	77	111629		5	161	112078		11	31				
111117		7	77	111644		24	161	112101		A2	69				
111118		10	77	111681		25	161	112120	112121	1	65				
111119		6	77	111686		8	113	112137		2	65				
111120		13	77	111696		7	123	112144		49	57				
111122	111162	1	81	111712		4	137	112146		4	17				
111124		31	83	111715		13	69	112146		3	137				
111128		4	81	111715		6	137	112147		3	15				
111129		8	81	111717		A2	139	112147		A2	33				
111132		3	81	111718		A1	139	112151		A1	139				
111133		A5	47	111732		1	139	112152		A2	139				
111134	5107001130	23	49	111760		13	75	112153		5	17				
111137		19	49	111823	113099	14	19	112162		A1	69				
111138		14	49	111823	111823	14	19	112163		6	69				
111143		13	49	111823L	113100	14	19	112165		7	69				
111152		A3	77	111825		1	27	112166	111051	4	73				
111154		16	49	111846		8	125	112178		3	65				
111155		17	49	111865		2	21	112180		12	55				
111159		16	77	111866		9	43	112212		2	137				
111160		30	75	111887		7	21	112220		29	99				
111161		28	75	111888		5	43	112221		30	99				
111165		14	75	111889		1	43	112227		46	117				
111166		25	79	111901		16	67	112228		46	117				
111167		12	75	111908		34	117	112230		46	117				

PART NUMBER INDEX

PART NUMBER INDEX

NEW PART NO	OLD PART NO	KEY	PAGE NO	NEW PART NO	OLD PART NO	KEY	PAGE NO	NEW PART NO	OLD PART NO	KEY	PAGE NO
112231		13	111	113085		42	117	140014		7	25
112240		7	155	113085		31	75	140015		13	25
112241		22	155	113086		17	81	140016		5	25
112242		23	155	113086		43	117	140020		10	25
112283		1	19	113086		28	127	140022		14	25
112286		1	19	113088		1	125	140023		11	25
113007		19	43	113089		27	127	140024		12	25
113016		10	115	113097		5	153	140027		17	23
113022		30	117	113110		41	117	140029		21	35
113023		31	117	113112		32	117	140033		22	95
113027		2	125	114454	111174	1	77	140038		3	33
113028		5	125	120521		16	43	140040		15	33
113030		29	127	123781		2	101	140041		13	33
113032	113036	1	77	123790		1	85	140042		11	33
113037		27	79	124266		10	153	140043		14	33
113038		35	79	124267		9	153	140044		12	33
113040		1	81	124313		23	135	140046		25	35
113041		11	81	124316		6	129	140049		23	35
113042		17	77	124316		7	133	140056		5	41
113043		42	79	124333		8	129	140061		15	21
113048		31	75	124334		13	129	140062		16	21
113049		21	61	124339	124338	16	97	140063		12	21
113049		30	83	124341	124340	17	97	140064		13	21
113049		7	125	124342		12	97	140079		9	37
113050		41	117	124346		9	97	140079		7	113
113052		33	117	124355		28	161	140080		12	69
113053		35	117	124539		4	133	140080		8	93
113062		44	117	124559		9	155	140080		8	121
113063		37	117	140001		12	37	140080	140027	7	33
113064		45	117	140003		14	37	140083		5	29
113065		39	117	140004		13	37	140083		10	61
113066		40	117	140005		16	39	140083		19	77
113068		19	23	140006		18	39	140090		6	41
113069		4	23	140007		5	37	140094		8	29
113072		7	125	140008		4	37	140095		7	29
113073		16	81	140011		20	25	140097		23	39
113074		38	117	140012		19	25	140098		24	39
113078		10	119	140013		6	25	140099		22	39

NEW PART NO	OLD PART NO	KEY	PAGE NO	NEW PART NO	OLD PART NO	KEY	PAGE NO	NEW PART NO	OLD PART NO	KEY	PAGE NO
140100		26	39	140129		5	143	140247		16	149
140101		27	39	140147		16	115	140248		2	153
140103		29	39	140147		4	119	140248		3	155
140107		18	48	140147		5	137	140277		18	43
140113		4	31	140147		6	139	140278		12	43
140114		3	31	140147		20	145	140282		8	45
140115		1	31	140147		7	161	140283		7	45
140118		17	25	140147		8	37	140290		6	43
140120		6	31	140147		48	57	140291		4	23
140121		7	31	140149		15	155	140293		18	23
140122		18	21	140160		1	61	140293		11	115
140124		5	23	140165		9	31	140293		5	125
140125		1	23	140166		10	31	140293		12	143
140126		6	29	140167		12	23	140297		2	45
140126		9	139	140168		34	39	140300		24	115
140126		4	143	140168		6	161	140302		19	23
140126		22	161	140177		21	99	140302		13	103
140127		21	155	140178		23	99	140302		12	115
140129		9	47	140184		4	97	140302		6	125
140129		2	61	140185		5	97	140302		11	143
140129		9	61	140186		19	97	140302		19	23
140129		10	67	140189		25	95	140303		14	103
140129		6	107	140191		23	75	140303		9	123
140129		6	111	140193		12	95	140304		19	103
140129		8	139	140194		17	95	140304		8	123
140129		11	155	140195		15	95	140305		3	125
140129		21	161	140196		16	95	140305		11	137
140129		26	161	140200		5	93	140306		4	115
140133		10	41	140201		21	81	140306		4	123
140134		11	41	140201		3	93	140311		8	59
140143		13	41	140201		25	49	140313		5	45
140143		20	161	140202		19	95	140314		6	45
140144		20	38	140206		20	95	140316		16	25
140147		10	43	140206		19	127	140317		4	59
140147		13	67	140219		8	97	140318		3	59
140147		9	69	140226		14	149	140321		10	47
140147		11	69	140243		14	107	140324		26	79
140147		22	99	140247		8	149	140327		22	75

PART NUMBER INDEX

PART NUMBER INDEX

NEW PART NO	OLD PART NO	KEY	PAGE NO	NEW PART NO	OLD PART NO	KEY	PAGE NO	NEW PART NO	OLD PART NO	KEY	PAGE NO
140330		28	83	140466		20	103	140776		14	21
140331		37	79	140470		7	101	140791		18	25
140332		36	79	140471		15	103	140799		15	25
140333		38	79	140472		18	103	140867		25	39
140334		11	73	140477		10	159	140872		13	95
140335		18	75	140484		8	159	140921		8	25
140336		29	83	140500		1	159	140922		12	21
140337		40	79	140501		2	159	140923		13	21
140338		41	79	140502		3	159	140924		16	21
140338		15	97	140503		4	159	140936		31	39
140346		11	47	140540		21	107	140938		22	43
140349		8	47	140541		20	107	140947		10	125
140355		16	129	140542		19	107	140949		12	21
140355		22	133	140543		5	159	140951		23	61
140363	142854	2	131	140544		17	125	140954		17	61
140364	142075	3	131	140558		26	95	141044		3	69
140369		15	77	140566		6	37	141051		14	67
140369		19	135	140567		9	41	141051		10	69
140374		12	131	140568		8	41	141051		26	83
140376		10	135	140569		12	41	141051		13	113
140378		10	131	140573		13	23	141051		17	115
140380		6	135	140580		28	95	141051		27	117
140383		9	107	140599		5	31	141051		5	119
140383	110161	9	111	140606		8	31	141051		8	161
140383		10	111	140613		21	25	141051	140079	11	43
140384		4	125	141625		2	59	141051	140191	15	43
140384		11	135	141626		A1	59	141057		15	115
140388		13	131	141655		8	67	141058		28	117
140402		14	143	141666		8	23	141060		11	67
140403		24	99	141700		4	131	141060		32	67
140404		25	99	140714		20	61	141060		5	69
140435		25	117	140714		6	147	141060		5	107
140436	141507	12	113	140732		15	149	141060		5	111
140437		14	43	140741	141033	4	149	141060		5	113
140437		6	113	140752		20	49	141060		23	121
140438		16	155	140753		20	75	141060		9	125
140441		22	115	140755		2	77	141060		22	145
140453		7	159	140769		12	49	141060		12	155

NEW PART NO	OLD PART NO	KEY	PAGE NO	NEW PART NO	OLD PART NO	KEY	PAGE NO	NEW PART NO	OLD PART NO	KEY	PAGE NO	NEW PART NO	OLD PART NO	KEY	PAGE NO
141060		27	161	141246		23	43	142761		19	145				
141061		12	67	141306		14	141	141768		20	133				
141061		4	69	141306	140191	5	139	141769	110280	21	133				
141061		7	107	141361		11	103	141773		1	143				
141061		7	111	141362		4	101	142775		A1	113				
141061		4	113	141368		8	101	141788		2	23				
141061		5	65	141414		2	97	141795		3	151				
141093		28	67	141417		7	97	141796		6	151				
141093		10	155	141421		10	97	141797		4	151				
141096		17	137	141428		6	97	141800		1	151				
141098		18	23	141433		1	147	141801		2	151				
141105		8	133	141444		1	113	141802		7	151				
141108		24	135	141451		9	159	141810		13	61				
141109		8	133	141462		8	61	141812		16	61				
141110		9	133	141462		2	65	141814		1	31				
141112		16	133	141515		36	53	141816		1	31				
141113		17	133	141530		5	121	141826		A1	51				
141114		25	135	141541		21	103	141829		7	67				
141115		18	133	141545		11	23	141831		22	103				
141119		3	133	141548	112174	A1	25	141844		16	143				
141121		2	133	141632	141034	1	149	141862		24	155				
141127		14	135	141635	141037	5	149	141923		13	21				
141128		15	135	141636	141036	6	149	142935		1	27				
141129		16	135	141645	5103007190	4	15	141945		19	51				
141130		12	135	141645	5103007190	A1	41	141945		22	55				
141133		1	129	141649	140711	9	149	141946		5	51				
141133		1	133	141654		14	113	141947		1	51				
141148		13	155	141711		3	153	141947		1	55				
141161		6	91	141715		10	149	141948		9	51				
141162		5	91	141715		13	149	141949		31	53				
141192		26	99	141721		1	59	141949		38	57				
141207	140790	A2	37	142721		1	157	141950		12	51				
141208		27	103	141722		5	59	141950		13	55				
141209		21	103	141732		17	155	141951		2	51				
141230		2	121	141737		10	119	141952		4	51				
141233		3	121	141751		30	39	141953		14	51				
141234		4	121	141759		5	151	141954		22	51				
141234		2	71	142761		2	113	141955		32	53				

PART NUMBER INDEX

PART NUMBER INDEX

NEW PART NO	OLD PART NO	KEY	PAGE NO	NEW PART NO	OLD PART NO	KEY	PAGE NO	NEW PART NO	OLD PART NO	KEY	PAGE NO
141955		39	57	141992		A2	47	142347		A2	133
141956		27	53	142023		25	155	142391		24	107
141956		33	57	142114		11	125	142391		16	117
141957		18	51	142119		15	61	142426	142619	9	29
141958		3	51	142120		14	61	142427	142620	10	29
141959		21	51	142121		19	61	142443		2	69
141960		29	53	142179		8	67	142475		13	155
141961		34	53	142179		20	111	142476		18	61
141961		41	57	142181		10	123	142483		1	19
141962		33	53	142182		9	93	142497		9	21
141963		16	51	142182		10	121	142502		15	137
141963		17	55	142182		26	127	142509		10	113
141964		17	51	142185		1	19	142516	142776	11	113
141964		18	55	142193		A5	47	142528		26	35
141965		20	51	142195		16	49	142528		27	155
141965		23	55	142200		4	29	142532		15	141
141966		8	51	142201		14	37	142585		13	155
141966		11	55	142202		13	37	142586		14	155
141967		6	51	142203		19	39	142596		14	113
141967		7	55	142204		17	21	142598		11	61
141968		15	51	142232		5	115	142604		6	59
141969		7	51	142232	110220	7	115	142606		28	155
141970		13	51	142239		9	131	142608		21	115
141971		30	53	142240		14	115	142617		3	29
141972		28	53	142242		3	115	142631		7	159
141973		24	51	142246		25	103	142632		6	159
141974		23	51	142257	111064	12	77	142643		23	103
141975		25	51	142258		8	69	142645		18	107
141975		31	57	142258		3	119	142687		46	117
141976		26	51	142274		9	67	142689		46	117
141976		32	57	142274		8	107	142759		3	149
141977		10	51	142274		8	111	142773		13	155
141977		9	55	142274		3	113	142774		6	155
141978		11	51	142274		21	145	142800		6	123
141988		7	61	142274		20	155	142804		2	27
141990		5	15	142282	111130	5	81	142805		2	27
141991		6	15	142291		17	81	142855		6	131
141992		2	17	142309		26	155	142856		7	131

NEW PART NO	OLD PART NO	KEY	PAGE NO	NEW PART NO	OLD PART NO	KEY	PAGE NO	NEW PART NO	OLD PART NO	KEY	PAGE NO
142858		8	131	142994		30	57	143321		2	91
142860		18	131	142995		16	55	143322		1	91
142861		14	131	142996		14	55	143323		30	39
142862		15	131	142963	142558	14	19	143323		4	91
142863		16	131	142963	142963	14	19	143338		24	87
142864		17	131	143023		10	119	143339		23	87
142867		1	97	143025		6	119	143342		11	85
142868		3	97	143036		19	131	143343		13	85
142876		25	145	143037		21	131	143344		12	85
142894		16	141	143038		20	131	143345		15	85
142901		A2	69	143040		20	135	143346		14	85
142930		8	147	143041		21	135	143352		18	87
142933		7	147	143042		3	135	143353		21	87
142960		18	107	143064		22	121	143356		10	85
142964W		1	19	143078		42	79	143359		17	87
142970		2	55	143091		1	15	143369		5	157
142971		3	55	143092		5	15	143375		2	157
142972		4	55	143093		2	15	143376		A1	151
142973		6	55	143135	111065	31	79	143393		2	149
142974		15	55	143143		45	57	143394		2	149
142975		28	57	143144		46	57	143407		5	131
142976		25	55	143145		7	37	143407		18	137
142977		21	55	143146		47	57	143409		12	125
142978		24	55	143165	140450	A1	159	143416		22	135
142979		36	57	143182		3	106	143420		28	103
142980		27	57	143182		3	111	143422		7	17
142981		5	55	143199	151591	23	81	143423		7	17
142982		42	57	143200	112019	19	81	143456		6	121
142983		26	55	143252		2	119	143463		7	121
142984		8	55	143254		8	119	143471		9	121
142985		37	57	143257		28	145	143472		11	121
142986		29	57	143258		28	145	143477		4	65
142987		40	57	143285	141507	7	37	143478	143544	1	65
142988		35	57	143293		2	157	143484		30	67
142989		34	57	143303		14	125	143485		12	23
142990		20	55	143310		3	91	143485		29	67
142991		19	55	143312		1	91	143489		26	67
142992		10	55	143314		20	87	143490		25	67

PART NUMBER INDEX

PART NUMBER INDEX

NEW PART NO	OLD PART NO	KEY	PAGE NO	NEW PART NO	OLD PART NO	KEY	PAGE NO	NEW PART NO	OLD PART NO	KEY	PAGE NO
143495		31	67	143672		2	147	143919	140204		18
143496		27	67	143680		A2	69	143967			A2
143498		33	67	143692		9	121	143969	142324		5
143497		35	67	143693		5	121	143970			1
143497		18	111	143694		5	159	143977			5
143498		21	121	143695		20	23	143978			17
143540		17	111	143696		2	69	143983			17
143540		23	107	143745	110239	16	81	143985			2
143541		8	107	143746		31	99	144008	110297		16
143541		8	111	143747		32	145	144012			15
143548		3	65	143750		6	121	144039			7
143549		19	111	143761		21	103	144040			8
143549		34	67	143765	143648	21	67	144055	110454		1
143579		5	153	143766		2	59	144068			9
143587		3	147	143777		31	155	144068			14
143592		18	149	143788		22	149	144082			44
143593		23	149	143789	142175	3	129	144114			1
143596		19	149	143790	141135	11	133	144125	111706		2
143598		20	149	143791	142176	2	129	144130			14
143599		21	149	143792	141136	12	133	144131			13
143605		A1	151	143823	140203	23	95	144132			12
143609		3	147	143825	140205	21	95	144133			11
143610		2	147	143842		3	147	144134	140045		22
143619		1	153	143843		9	111	144135	142441		A1
143622		17	149	143843	110161	14	23	144136			A1
143624		24	149	143843	110160	10	107	144138	140322		7
143625		25	149	143874	143632	6	61	144141			3
143627		4	153	143875	140901	A1	61	144143			3
143628		6	153	143882		2	147	144144			3
143629		7	153	143883		15	111	144145			4
143630	140905	4	61	143885	110349	4	129	144146			13
143630		31	75	143885	110349	13	133	144149			5
143633		1	59	143887		15	111	144150			3
143644		3	157	143898		27	99	144151			4
143645		4	157	143899	110142	1	97	144152			27
143655		1	65	143906		11	95	144155			A1
143657		8	125	143907		1	45	144159E	142484		1
143659		25	127	143909		24	61	144162			1

NEW PART NO	OLD PART NO	KEY	PAGE NO	NEW PART NO	OLD PART NO	KEY	PAGE NO	NEW PART NO	OLD PART NO	KEY	PAGE NO
144184		2	27	144370		A1	151	144477	5103033140	10	37
144188		3	27	144372		A3	149	144478		A1	61
144192		1	71	144386	141125	19	133	144479		6A	61
144198		6	71	144387	141126	13	135	144480		7	61
144199		14	69	144391	140153	6	23	144481		4	61
144193		14	69	144392	140596	10	23	144482		25	61
144194		14	69	144392		20	35	144483		5	61
144198		2	69	144393	140995	3	43	144487	142964	1	21
144219		1	97	144428	112287	1	21	144490	142191	9	25
144220		14	69	144432	110028	9	25	144494		10	37
144235L		14	19	144434	140021	8	25	144495	5607001130	23	49
144274		26	135	144436	5103010190	2	41	144496	142196	1	47
144275		11	131	144437	5103011190	1	41	144497	5607018140	21	49
144278		5	47	144440	5103016140	35	39	144498	142478	11	37
144286	140312	8	43	144441	5103017140	14	41	144499	142477	17	39
144287	141245	13	43	144443	5103022140	15	39	144500E	142485	A1	37
144288		3	25	144444	5103024140	3	41	144510		18	107
144290		14	69	144445	5103023140	4	41	144511		12	111
144291		9	17	144448	5103029140	17	39	144514	141715	11	153
144291		A3	47	144449	5103030140	11	37	144519		32	155
144292		10	17	144452	5104010140	2	31	144526	140622	9	29
144292		A4	47	144458	5107004140	5	47	144528	140623	10	29
144293		11	17	144459	5107005140	3	47	144556	111096	12	119
144294		12	17	144460	5107006140	4	47	144560		1	21
144294	5122013140	A1	97	144461	5107007140	2	47	144561	111195	4	25
144295		13	17	144462	140751	15	49	144568		11	147
144296		14	17	144463	140347	6	47	144569		10	147
144297		10	15	144464	5107016140	22	49	144571	111700	12	129
144298		11	15	144465	5107017140	24	49	144575		22	89
144304		1	65	144468	5122010940	13	97	144576		2	41
144349		6	155	144469	5122011140	28	99	144577		1	41
144350		2	147	144470	5122012440	14	97	144576		4	41
144351		12	107	144471	5127020440	14	133	144579		3	41
144352		3	147	144472	142865	11	97	144581	122107	2	93
144353		16	87	144474	5103008190	A3	41	144587	122105	4	93
144354		19	87	144475		2	37	144588		12	147
144355		1	153	144475	5103009190	A2	41	144589		11	147
144360		5	153	144476	5103032140	10	37	144591		13	29

PART NUMBER INDEX

PART NUMBER INDEX

NEW PART NO	OLD PART NO	KEY	PAGE NO	NEW PART NO	OLD PART NO	KEY	PAGE NO	NEW PART NO	OLD PART NO	KEY	PAGE NO
144593		12	29	144663		5	153	150013		5	61
144594		11	29	144669	140798	3	25	150209		14	77
144600		9	23	144688	111867	A1	25	150254		27	95
144600	140080	8	37	144689	110010	1	25	150323		27	83
144600	140080	21	39	144690	110019	2	25	150566		14	155
144600	140080	26	117	144691		A2	69	151592		20	81
144601	111061	29	79	144694	142436	1	25	151910		7	59
144601	140187	18	97	144695	142437	2	25	153355		7	139
144608		46	117	144696	141547	3	25	153355		6	143
144612	142123	1	33	144700		A2	69	153355		19	161
144613		16	33	144705	143974	A1	131	153402		12	107
144614		10	33	144716		18	35	153404		11	107
144615	140031	8	33	144721	140778	A1	37	153654		3	135
144616	144049	24	36	144722	111178	1	37	154077		5	147
144617	144047	2	33	144723		A1	129	154224		20	103
144618	144042	8	21	144724		A1	131	170108		A1	85
144619	144046	7	23	144726		A1	133	170109		A2	85
144620	140132	7	41	144726	143039	A2	133	170178		16	75
144621	144043	2	43	144727		A1	159	170272		30	39
144622	144051	2	29	144730	113102	14	19	170272		3	85
144623	144045	3	61	144730C		14	19	170278		2	85
144624	144041	4	43	144730L	113101	14	19	170279		5	85
144625	144048	35	53	144731	111828	14	19	170280		6	85
144627	144044	17	75	144732		A1	51	170281		3	85
144628	142422	2	29	144748		1	93	170285		7	85
144633		19	21	144749		25	87	170286		9	85
144633	140299	4	45	144750		25	87	170288		7	45
144635	140309	3	45	144751		21	115	170401	110018	4	27
144636	143078	6	33	144773		2	37	170402	142187	3	27
144638	131216	9	33	144774		3	37	170406		5	27
144642	140779	A1	33	144776		3	37	170407		1	27
144643	111697	8	21	144779W		A1	33	170413		A1	59
144644	111063	32	79	144836	5103034140	10	37	170441		6	17
144645	142471	43	57	144841	131213	5	33	170442	142438	1	27
144649		16	87	144844		11	21	170452		8	85
144651		23	103	144844	140039	4	33	170457		2	27
144656	143966	A1	129	144846		11	21	170504		22	87
144657	141468	A1	133	144944	140052	10	21	170516	113035	1	73

NEW PART NO	OLD PART NO	KEY	PAGE NO	NEW PART NO	OLD PART NO	KEY	PAGE NO	NEW PART NO	OLD PART NO	KEY	PAGE NO
210744		3	147	597040		18	161	801062	142499		16
210793	210790	18	67	597050		A2	47	801063	142888		26
210867	151619	24	83	597051		A1	47	801064	142889		24
320307		8	17	801006		10	93	801065	142890		15
320308		8	17	801015	110165	13	107	801066	112130		15
320309		8	17	801019	110200	8	115	801078	124771		10
320310		8	17	801020	140761	18	115	801105	210799		19
320311		8	17	801021	113015	6	115	801107	113014		9
500122		10	21	801025	110228	20	115	801108	143675		1
500140		10	21	801026	110234	19	115	801110	113057		36
500617		17	33	801027	110225	16	23	801111	113024		27
500618		19	35	801029	111713	4	137	801112	113018		1
500619		27	35	801030	111720	A1	123	801114			7
500621		28	35	801031	110951	1	125	801122	142621		1
500809		29	155	801032	110229	21	127	801123	143355		17
500916		5	59	801033	110230	22	127	801124			A2
597010	112076	3	17	801034	110231	23	127	801125	143531		A1
597010	112076	A3	93	801035	110411	15	125	801126	143478		1
597018	111625	1	161	801036	110412	13	125	801127	143480		22
597019	111631	2	161	801039	110308	8	135	801128	144327		A1
597020	111630	4	161	801040	110309	7	135	801129	144326		1
597021	111632	3	161	801041	141111	15	133	801140	141736		1
597022	140411	9	161	801042	141116	1	135	801142	111721		1
597023	110377	10	161	801043	110393	2	139	801143	143491		11
597024	111637	23	161	801044	110394	3	139	801144	111272		11
597026	111617	18	161	801045	110395	4	139	801145	111273		12
597027	111612	17	161	801046	111733	1	139	801146	111276		13
597028	111611	16	161	801047	110688	3	143	801147	142875		25
597029		17	161	801048	110690	2	143	801148	144324		23
597030		16	161	801049	141806	1	143	801150	143364		17
597031		23	161	801050	110634	15	143	801151	143494		A2
597032		16	161	801051	141821	23	145	801151	143482		23
597033		17	161	801055	142504	9	113	801152	143483		24
597034		1	161	801056	111998	6	115	801154			1
597035		3	161	801057	111999	9	115	801154D			1
597036		5	161	801058	141205	1	121	801157			4
597037		4	161	801060	141738	11	119	801158			A1
597038		2	161	801061	210793	4	65	801159	144279		A2

PART NUMBER INDEX

PART NUMBER INDEX

NEW PART NO	OLD PART NO	KEY	PAGE NO	NEW PART NO	OLD PART NO	KEY	PAGE NO	NEW PART NO	OLD PART NO	KEY	PAGE NO
801162	143654	A1	63	802045		A1	109	805004			29
801164	143645	29	95	802046	144327	A1	63	806002		10	93
801165	143644	30	95	802047	144326	1	65	806007		10	141
801166	113091	A1	109	802049		A1	109	806011		25	145
801167	143536	A2	105	802050		4	105	806013		A2	93
801168	113072	1	115	802052		A1	105	806014	143531	A1	63
801170	113076	1	119	802054	112138	1	63	806015	143478	1	65
801171	113077	11	119	802056		1	101	806017	144327	A1	63
801172	143670	15	125	803002		10	93	806018	144326	1	65
801173	143671	13	125	803007		3	143	806020		11	141
801174	143674	24	127	803008		2	143	806021		12	141
801175	143615	17	143	803012		A2	93	806022		13	141
801176	143612	17	143	803016	143654	A1	63	806023		7	93
801177		4	105	803017		1	65	806024		1	101
801180	143542	13	107	803018		1	101	806025		A2	105
801198	142577	A1	105	803018D		1	101	806026		A1	109
801200	112138	1	63	803019		A1	109	806027		A1	109
801202		1	101	803020		A2	105	806028	143654	A1	63
801218		1	119	803029		26	145	806029		1	65
802002		10	93	803030		24	145	806030		A1	109
802007		3	143	803031		1	143	806031		A2	105
802008		2	143	803033		7	93	806032		2	139
802017		1	143	803034	143531	A1	63	806033		3	139
802019		A2	93	803035	143478	1	65	806034		4	139
802025	143654	A1	63	803037		A2	105	806035		1	139
802026		1	65	803037		4	105	806040		1	143
802027		1	101	803038		A1	109	806041		4	105
802027D		1	101	803039	144327	A1	63	806045	112138	1	63
802028		A1	109	803040	144326	1	65	806047		A1	105
802029		A2	105	803042		A1	109	806075		4	105
802037		26	145	803043		4	105	809009	143654	A1	63
802038		24	145	803045		A1	105	809010		1	65
802039		25	145	803047	112138	1	63	809013D		1	101
802040		7	93	803049		1	101	809030	143531	A1	63
802041	143531	A1	63	804005	141123	5	133	809031	143478	1	65
802042	143478	1	65	804006	141103	10	133	809032		4	105
802044		A2	105	805001	111177	1	29	809033		A1	109
802044		4	105	805002		1	29	809034	144327	A1	63

NEW PART NO	OLD PART NO	KEY	PAGE NO	NEW PART NO	OLD PART NO	KEY	PAGE NO	NEW PART NO	OLD PART NO	KEY	PAGE NO	NEW PART NO	OLD PART NO	KEY	PAGE NO	
809035	144326	1	65										140130		33	39
809037		A1	109	825014						A2	105		140131		32	39
809038		4	105	825015						A1	109		140135		13	29
809039		A1	105		110143					3	97		140136		12	29
809042	112138	1	63		110377					19	121		140299		19	21
809043		1	101		110569					1	101		140329		3	47
809045		1	101		111146					5	47		140343		22	49
811001		10	93		111146					5	47		140350		4	47
811008		2	139		111287					1	101		140350		4	47
811009		3	139		111819					11	29		140733		12	149
811010		4	139		112038					1	101		140734		11	149
811011		1	139		112129					20	67		140758		2	47
811012		1	143		112232					14	111		140844		2	155
811015		A2	93		112281					A1	73		140871		A3	149
811016	143531	A1	63		112285					A1	73		141419		11	97
811017	143478	1	65		112288					A2	73		141485		2	155
811019	144327	A1	63		112291					A1	73		141670		2	89
811020	144326	1	65		112292					A2	73		141671		3	89
811023		11	141		112293					A2	73		141672		4	89
811024		12	141		112294					A2	73		141673		5	89
811025		13	141		112990					5	153		141674		6	89
811026		10	141		113034					A1	73		141676		7	89
811027		25	145		113090					A2	73		141677		12	89
811028		7	93		113103					A1	73		141678		13	89
811030		1	101		113104					A1	73		141679		14	89
811030D		1	101		113105					A1	73		141680		15	89
811034		A1	109		113106					A2	73		141681		16	89
811035		A1	109		113107					A2	73		141682		17	89
811036	143654	A1	63		113108					A2	73		141683		18	89
811037		1	65		124563					10	93		141684		19	89
811038		A1	109		140026					16	33		141685		20	89
811039		A2	105		140030					10	33		141687		21	89
811044		A2	105		140032					18	35		141688		9	89
811044		4	105		140033					17	33		141689		10	89
811045		4	105		140034					19	35		141696		A2	89
811049	112138	1	63		140036					20	35		141743		A1	89
811050		1	101		140128					11	21		141744		6	89
811052		A1	105		140128					16	97		141751		4	91

PART NUMBER INDEX

PART NUMBER INDEX

NEW PART NO	OLD PART		KEY	PAGE		NEW PART NO	OLD PART		KEY	PAGE	
	NO	NO		NO	NO		NO	NO			
	141752		24	89		143350		22		87	
	141758		A1	151		143351		19		87	
	141781		11	89		143357		25		87	
	141892		25	89		143358		25		87	
	141710		A3	149		143469		12		121	
	142194		23	49		143506		26		89	
	142199		20	49		143529		A1		109	
	142442		A1	73		143530		4		105	
	142517		A2	93		143539		3		105	
	142529		22	89		143539		3		111	
	142531		1	91		143647		19		67	
	142543		3	91		143673		26		89	
	142565		1	155		143677		9		147	
	142568		23	89		143678		1		155	
	142570		A1	109		143691		A1		109	
	142580		13	107		143747		20		121	
	142622		1	93		143844		4		111	
	142633		9	147		143893		29		155	
	142635		1	91		143894		30		155	
	142636		2	91		144052		27		35	
	142644		12	111		144170		4		107	
	142762		7	93		144702E		A1		73	
	142869		A3	97		210794		17		67	
	142870		A2	97		5107003130		1		47	
	142872		A1	93		5107008140		15		49	
	142959		12	111		5107015130		6		47	
	143179		4	155		5107018140		20		49	
	143331		A1	85		5607003130		1		47	
	143332		2	85							
	143333		5	85							
	143334		4	85							
	143335		3	85							
	143336		6	85							
	143337		7	85							
	143340		16	87							
	143347		A2	85							
	143348		9	85							
	143349		8	85							